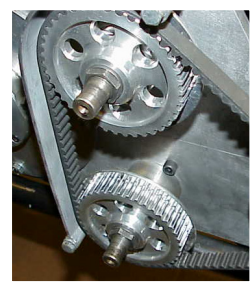
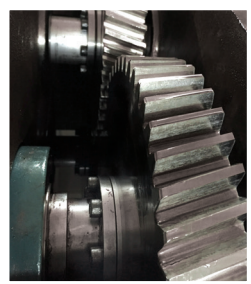
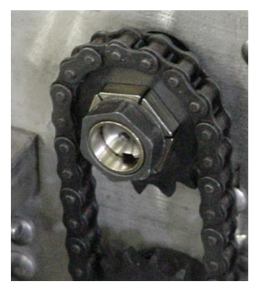


# KEYLESS LOCKING DEVICES



# B-LOC

The B-LOC brand is synonymous with world class quality, engineering excellence and unrivaled customer support. Fenner Industrial Motion B-LOC Keyless Bushings provide a high capacity, zero-backlash shaft-to-hub connection by using the simple wedge principle. An axial force is applied by series of annular screws to engage circular steel rings and mating tapers. The resulting wedge action creates a radial force on the tapered rings, one of which contracts to squeeze the shaft while the other expands and presses into the component bore.

B-LOC keyless bushings appear in these markets:

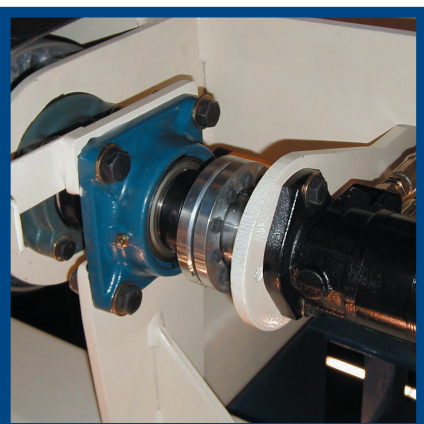
- Climate Control
- Distribution Centers
- Food Processing
- Glass
- Livestock Farming
- Meat Processing
- Mining & Aggregate
- Oil & Gas
- Packaging
- Wood Processing

# Trantorque

Trantorque, the original single nut keyless bushing is used from gears to cams, timing belt sprockets to conveyor rolls, and climate control fan hubs to grinding wheels. The extensive range of Trantorque keyless bushings offers easy to use options for mounting and adjusting position sensitive, zero backlash drive components and accessories.

Trantorque keyless bushings appear in the following markets:

- Climate Control
- Distribution Centers
- Fitness
- Food Processing
- Glass
- Livestock Farming
- Meat Processing
- Mining & Aggregate
- Oil & Gas
- Packaging
- Wood Processing



# INDEX

- Trantorque or B-LOC** ..... 4-5
- Engineering Data (Keyless Locking Devices)**..... 6-11
  - Power Transmission Trantorque ..... 12-20
  - Power Transmission B-LOC ..... 21-34
- Engineering Data (B-LOC Compression Hubs)**..... 35
  - B-LOC Compression Hubs ..... 36-39
- Engineering Data (B-LOC Shrink Discs)** ..... 40-41
  - B-LOC Shrink Discs ..... 42-46
  - B-LOC Split and Half Shrink Discs Data ..... 47
  - B-LOC Split and Half Shrink Discs ..... 48-56
  - B-LOC Single Taper Shrink Discs Data ..... 57
  - B-LOC Single Taper Shrink Discs ..... 58-59
- Engineering Data (B-LOC WK Rigid Couplings)** ..... 60-61
  - B-LOC WK Rigid Couplings ..... 62-63



# Keyless Locking Devices

## Trantorque or B-LOC: the Enduring Question

Once you have decided that a keyless locking device is the right solution, your next big decision is which series of Fenner Industrial Motion Trantorque or B-LOC Keyless Locking Device to choose. While the underlying engineering principle for both Trantorque and B-LOC is exactly the same, the functionality of each may appeal to different applications and situations.

SELECTION ASSISTANCE	Shaft Size Range	Overall Length Range	Torque Transmission	Axial Movement	Self Centering	Concentricity	Balance	Self-Locking Tapers	Recessed Installation Without Counterbore	RoHS Compliant
Trantorque GT	5/8 — 3 in; 15 — 75mm	1 1/2 — 4 1/4 in; 38.1 — 108mm	164 — 1,549 ft lb; 210 — 2,079 Nm	~0.075 in (1.9mm)	Yes	Excellent	Excellent	Yes	No	Yes
Trantorque Mini	1/8 — 5/8 in; 3 — 16mm	3/4 — 1 1/8 in; 19 — 29mm	100 — 2,079 in lb; 11 — 155 Nm	~0.045 in (1.1mm)	Yes	Excellent	Very Good	Yes	No	Yes
Trantorque Micro	1/8 — 5/8 in; 3 — 16mm	5/8 — 1 1/2 in; 15.8 — 38.1mm	46 — 280 in lb; 5 — 32 Nm	~0.0375 in (0.95mm)	Yes	Excellent	Very Good	No	No	Yes
Trantorque OE	1 1/16 — 1 1/2 in; 17 — 35mm	1 5/32 — 1 25/32 in; 29 — 43mm	166 — 512 ft lb; 218 — 676 Nm	~0.075 in (1.9mm)	Yes	Excellent	Excellent	Yes	No	Yes
Trantorque NT	3/16 — 2 in	1 1/16 — 4 3/64 in	7 — 586 ft lb	No	Yes	Excellent	Very Good	Yes	No	Yes
B-LOC B109	1/4 — 1 3/8 in; 6 — 35mm	0.650 — 1.102 in; 16.5 — 28.5mm	167 — 5,929 in lb; 19 — 683 Nm	No	Yes	Excellent	Excellent	Yes	No	Yes
B-LOC B103	3/4 — 8 in; 15 — 400mm	1.122 — 2.559 in; 21.5 — 116mm	247 — 48,913 ft lb; 115 — 489,701 Nm	~0.032 in (0.8mm)	Yes	Excellent	Excellent	Yes	Yes	Yes
B-LOC B106	5/8 — 8 in; 14 — 400mm	0.846 — 2.559 in; 20.5 — 116mm	55 — 37,959 ft lb; 68 — 372,590 Nm	No	Yes	Excellent	Excellent	Yes	No	Yes
B-LOC B800	1/4 — 4 15/16 in; 6 — 130mm	0.866 — 5.039 in; 22 — 128mm	16 — 18,362 ft lb; 22 — 25,742 Nm	No	Yes	Excellent	Excellent	Yes	No	Yes
B-LOC B400	3/4 — 8 in; 18 — 500mm	0.787 — 2.047 in; 20 — 102mm	234 — 53,827 ft lb; 302 — 814,734 Nm	No	No	Fair	Very Good	No	Yes	Yes
B-LOC B112	1 — 8 in; 24 — 600mm	1.575 — 5.866 in; 40 — 203mm	600 — 110,469 ft lb; 755 — 1,756,139 Nm	No	Yes	Excellent	Excellent	Yes	Yes	Yes
B-LOC B115	2 3/4 — 8 in; 70 — 600mm	2.441 — 4.134 in; 62 — 160mm	5,261 — 70,109 ft lb; 7,118 — 1,228,856 Nm	No	Yes	Excellent	Excellent	Yes	Yes	Yes
B-LOC B113	180 — 560mm	231 — 280mm	223,566 — 2,342,897 Nm	No	Yes	Excellent	Excellent	Yes	Yes	Yes
B-LOC B117	180 — 600mm	122 — 178mm	84,697 — 1,055,107 Nm	No	Yes	Excellent	Excellent	Yes	No	Yes
B-LOC Compression Hubs	1/2 — 3 in; 12 — 75mm	0.708 — 2.224 in 18.1 — 56.6mm	48 - 4797 ft lb; 65 — 6400 Nm	No	Yes	Fair to Excellent	Excellent	No	N/A	Yes
B-LOC Shrink Discs	5/8 — 2 1/2 in; 15 — 540mm	0.71 — 11.26 in; 22 — 286 mm	138 — 3,267,568 ft lb	No	Yes	Excellent	Excellent	No	N/A	No
B-LOC WK Couplings	5/8 - 4 15/16 in; 15 — 130mm	1.181 — 5.433 in; 30 — 138mm	132 — 35385 ft-lb; 169 — 49717 Nm	No	Yes	Excellent	Excellent	No	N/A	Yes

## Internal or External

At the broadest level, keyless locking devices may be split into two categories, internal locking devices (Trantorque and B-LOC Keyless Bushings) and external locking devices (B-LOC Shrink Discs, WK Couplings, and Compression Hubs). Selecting an external locking device is relatively straightforward. If you are joining two solid shafts at their ends, see the section on B-LOC WK Couplings. To connect most industry standard coupling hubs or flanges, gearboxes with hollow-shaft outputs, or other similar geometries see the B-LOC Shrink Disc section. If the component you are mounting has a narrow hub or has a short length through-bore, like a plate sprocket, see the section on B-LOC Compression Hubs.

Most applications, however, consist of a shaft and bored component that require the use of a keyless bushing. Many more factors play into the proper selection of a keyless bushing and are briefly addressed below and in the accompanying table.

## Shaft Size

Shaft size may immediately determine whether you use a Trantorque or B-LOC Keyless Bushing. A Trantorque can accommodate shaft sizes as small as 1/8" (3mm) while the smallest shaft a B-LOC will fit is 1/4" (6mm). At the other end of the spectrum, Trantorque tops out at 3" (75mm) and the largest B-LOC will accommodate shafts approaching 24" (600mm). Larger and smaller versions of all units may be available as MTOs (Made To Order).

As a practical matter, under most circumstances our Technical Services will recommend a Trantorque for shaft sizes 1-1/2" and under and a B-LOC for shaft sizes over 1-1/2". These are considered the optimal ranges for the product lines taking maximum advantage of each product's unique installation method.

## Installation

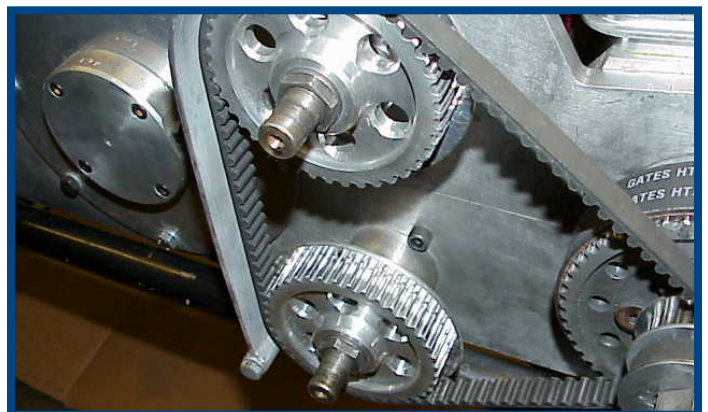
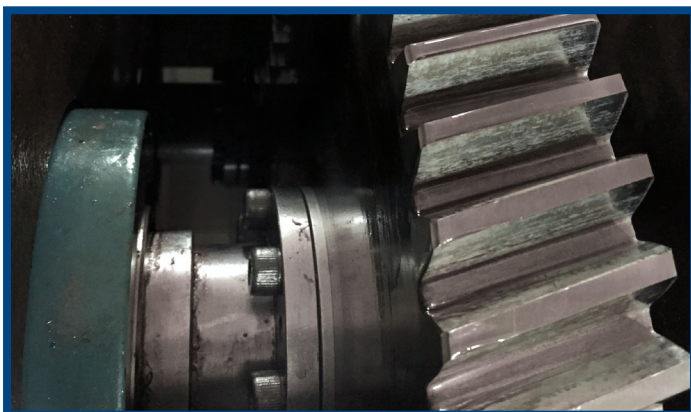
The most obvious difference when comparing a B-LOC to a Trantorque Keyless Bushing is the installation method. All B-LOC units use a plurality of screws; all Trantorque units use a single hex nut. Your particular application will be your guide as to which method is preferred.

The advantages of a single hex nut, as used in a Trantorque Keyless Bushing, are speed and simplicity of installation and removal. For installation, simply tighten the single hex nut to the specified installation torque and your connection is complete. Removal is just as straightforward. Merely loosen the same hex nut and the unit will disengage. The cost for this simplicity is a relatively high installation torque requirement, which may present a challenge for larger units.

Since the force needed to draw the mating tapers of a B-LOC Keyless Bushing together is distributed among many screws, the installation torque of an individual screw is relatively low. This allows for effortless installation of even the largest units. The price paid for this low installation torque is a more timely and complex installation and removal process. The screws must be slowly and equally tightened in series until the final installation torque is achieved. Since most B-LOC units have self locking tapers, the removal process requires loosening all screws and backing off the unit.

## Other Considerations

There are several other design points that may help guide you in your selection process. OD to ID ratios vary widely from product to product. If your design requires a small OD/ID ratio, consider either a B-LOC B800 or a Trantorque OE. While all Fenner Drives Keyless Bushings are designed to transmit high torque loads, if you have an extremely demanding application, a double taper B-LOC B112, B113 or B115 may be required. If you are mounting plate sprockets or other thin components, B-LOC Compression Hubs could be the solution. Other factors to consider include axial movement, recessed installation, corrosion protection, and RoHS compliance. The table is designed to help make your selection process easier, but if you are ever in doubt, please contact Fenner Industrial Motion Technical Service at [AE@fenner.com](mailto:AE@fenner.com). We will be happy to guide you to the perfect keyless locking device solution.



# Keyless Locking Devices Engineering Data

## SURFACE FINISH

Recommended surface finish for shafts and hub bores to be used with Fenner Industrial Motion Keyless Bushings is between 32 and 125 micro-inch (0.8 and 3.2 micro-meter) RMS. A smoother finish — such as that found on components supplied TG&P (turned, ground and polished) — is NOT recommended and can result in a failure of the connection. Note that surface finishes below 32 micro-inch (0.8 micro-meter) RMS can be roughened using longitudinal abrasion with a bastard file, emery paper or similar to achieve a surface finish within the recommended range.

## CONCENTRICITY

Fenner Keyless Bushings are precision machined to maximize concentricity and minimize runout. The final installed concentricity of mounted components depends on several variables, including the components themselves and the installation technique employed. Special attention to proper installation will be required for B-LOC B400 series units. Overall, however, concentricity is typically excellent for the majority of Fenner Keyless Bushings.

## POLYMERIC DRIVE COMPONENTS

Fenner Industrial Motion Keyless Locking Devices are only recommended for use with drive components constructed of polymers if a metal sleeve of sufficient size and strength is incorporated into the bore of the mounted component. For design and manufacturing support of a suitable sleeve consult with a Fenner Applications Engineer.

## TEMPERATURE INFLUENCE

Similar to conventional shrink or press fits, connections using Fenner Keyless Bushings are generally not affected by temperature changes as long as the shaft, hub and bushing are made of the same material and temperatures are applied uniformly to each. For situations where one or more of the components are made of a material with a different coefficient of thermal expansion or where thermal gradients/cycles are present, fit pressures can be impacted. Please consult a Fenner Applications Engineer.

## MOUNTING BEARINGS WITH FENNER KEYLESS BUSHINGS

Mounting bearings with a Fenner Industrial Motion Keyless Bushing is not recommended. The expansion forces generated will distort the bearing's inner race, causing premature failure.

## INSTALLING MULTIPLE FENNER KEYLESS BUSHINGS IN SERIES

Additional torque capacity can be achieved by arranging two or more B-LOC Keyless Bushings in series. In these situations, where access to locking screws is available from one side only, the total torque capacity of the connection is not a linear function of the number of units applied. For applications involving B-LOC Keyless Bushings in series, please consult with a Fenner Industrial Motion Applications Engineer.

## ANAEROBIC ADHESIVES (THREADLOCKER)

Do not use anaerobic adhesives such as Loctite, Permatex or similar compounds with Fenner Keyless Bushings. Doing so results in unknown contact pressures and capacities. Further, disassembly may be compromised when such compounds are applied to the keyless bushing, the shaft and/or the hub bore. Proper installation assures sufficient pre-load so that threads are self-locking, even in cases where the keyless bushing is subjected to extreme vibratory conditions.

## HOLLOW SHAFTS

Hollow shafts with bores exceeding 35% of outside diameter usually require a reduction of contact pressures in order to avoid permanent shaft deformation. Special considerations arise when installing Fenner Industrial Motion Keyless Bushings onto hollow shafts. Please consult with a Fenner Industrial Motion Applications Engineer for a trouble free hollow shaft connection.

## LUBRICANTS

Trantorque and B-LOC Keyless Locking Devices are supplied with an oil specific to the product line. The listed performance data requires the use of these lubricants to provide the necessary coefficient of friction to the sliding surfaces. Some products have strategically applied grease or oil (in some cases food grade) to achieve performance.

## MATERIALS

Trantorque and B-LOC Keyless Locking Devices are made from carbon and heat treated alloy steels. B-LOC Keyless Bushings are manufactured from heat treated carbon and alloy steels. For applications in corrosive environments, corrosion resistance can be improved through sealing with grease or silicone, the use of protective cover plates, application of industry standard plating materials (e.g., nickel, thin dense chrome, etc.) or by specifying the product in stainless steel or other corrosion resistant materials. Please consult with a Fenner Industrial Motion Applications Engineer for more details.

## TORQUE

$T$  = peak drive torque = nominal torque multiplied by a variable safety factor to account for stall or start-up conditions, mass accelerations, impact loads, etc. Nominal drive torque can be calculated as follows:

$$M_{t_{nom}} \text{ (ft lb)} = \frac{5252 \times \text{HP}}{\text{rpm}}$$

$$M_{t_{nom}} \text{ (Nm)} = \frac{9550 \times \text{kW}}{\text{rpm}}$$

Consult with a Fenner Industrial Motion Applications Engineer in cases where “ $T$ ” is uncertain.

$M_t$  = The rated torque capacity of one Fenner Industrial Motion Keyless Bushing installed according to our instructions. Published torque capacities are calculated without using a safety factor and should be considered as the point where a connection could slip if a higher torque is applied. Therefore, always select a unit where  $M_t \geq T$ .

## MODIFIED INSTALLATION TORQUE

The installation torque shown in the data tables is the maximum installation torque recommended for the product. Torque capacity and contact pressures are a linear function of installation torque ( $M_a$ ) and can be adjusted if necessary by changing  $M_a$  within the following limits:

Series	$M_a$
Trantorque	up to 50% lower
B-LOC B103/B106/B109	up to 20% lower
B-LOC B400	up to 20% higher or up to 20% lower
B-LOC B800	up to 20% lower
B-LOC B112/B113	up to 40% lower
B-LOC B115	up to 30% lower
B-LOC B117	up to 20% lower

## THRUST

$T_h$  = transmissible thrust, determined by using the following equation:

$$T_h = \frac{2 \times M_t}{d}$$

where:  $d$  = shaft diameter

$M_t$  = rated torque capacity

## TORQUE AND THRUST COMBINED

Simultaneous transmission of torque and thrust requires calculating a resultant torque:

$$M_{t_{res}} = \sqrt{T^2 + \left(\frac{F \times d}{2}\right)^2}$$

where:  $T$  = peak drive torque

$F$  = peak thrust load

$d$  = shaft diameter

Select a unit where  $M_t \geq M_{t_{res}}$

## BENDING MOMENTS

Bending moments are a crucial sizing factor in applications where a radial load from chain pull, the weight of components, etc. acts significantly outside the keyless bushing centerline. Typical applications include rolls or conveyor pulleys where shaft deflection due to radial loads results in a bending moment between shaft and end disc. Generally, bending moments change from a positive to a negative value during each rotation and are designated as rotating or reversing bending moments.

Fenner Industrial Motion Keyless Bushings are well suited to transmit rotating/reversing bending moments. Compiled using relevant data gleaned from numerous successful heavy-duty applications in conveyor pulleys as well as pertinent investigations by independent institutions, the following bending moment capacities apply:

Series	Bending Moment Capacity ( $M_b$ )
Trantorque	$0.28 \times M_t$
B-LOC B103/B106/B109	$0.28 \times M_t$
B-LOC B400	$0.22 \times M_t$
B-LOC B800	$0.28 \times M_t$
B-LOC B115	$0.32 \times M_t$
B-LOC B112/B113	$0.35 \times M_t$
B-LOC B117	$0.65 \times M_t$

where:  $M_t$  = rated torque capacity (from specification tables)

Consult with a Fenner Industrial Motion Applications Engineer on applications where the actual bending moment exceeds these recommended limits.

## TORQUE AND BENDING COMBINED

Simultaneous transmission of torque and bending requires calculating a resultant torque:

$$M_{t_b} = \sqrt{T^2 + (2 \times M_b)^2}$$

where:  $T$  = peak drive torque

$M_b$  = bending moment

Always select a unit where  $M_t \geq M_{t_b}$  and  $M_b$  is within the limits appearing under Bending Moment Capacity above.

# Keyless Locking Devices

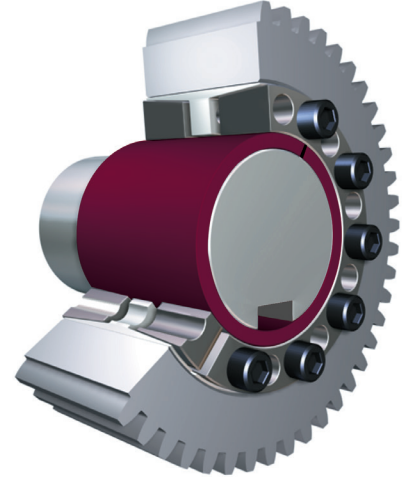
## Fenner Industrial Motion KEYLESS BUSHINGS WITH SHAFT ADAPTOR SLEEVES

When an existing shaft diameter does not fit the bore of a standard Fenner Industrial Motion Keyless Bushing, we recommend using an adapter sleeve that can be sized to allow for the use of a standard unit and the existing shaft. The maximum wall thickness of the adapter sleeve should be approximately 10% of the existing shaft diameter.

Note that in order to maximize the torque capacity of a sleeved keyless bushing connection, the shaft/sleeve bore interface must be free of any lubricant. This makes the sleeve outside diameter/ keyless bushing bore the point of lowest torque capacity (provided the sleeve outside diameter is less than 1.25 times the shaft diameter) and allows for full use of the larger keyless bushing's higher torque capacity.

Notes:

1. Sleeve ID =  $d_s - 0/+0.001"$  (.025mm)  
where  $d_s$  = shaft diameter
2. Sleeve OD =  $d + 0/-T_L$  for keyless bushing to be used
3. Install dry (cleaned with non-petroleum-based solvent) at shaft/sleeve bore interface for coefficient of friction  $\mu = 0.15$
4. Torque capacity at sleeve OD =  $M_t$  for keyless bushing to be used
5. Torque capacity on shaft =  $M_t \times \frac{d_s}{d} \times 1.25$
6. Sleeve to be manufactured with one lengthwise slit (after machining) and from material equal to or better than shaft material
7. Sleeve can be installed over existing keyway; position slit approximately opposite keyway



## RADIAL LOADS

Radial loads are generated when force is applied perpendicular to the centerline of the shaft and are frequently associated with pin or axle connections (see illustration below). Fenner Industrial Motion Keyless Bushings are well suited to provide tight, backlash-free connections for this type of application, as explained below.

$$F_{rad} = \text{radial load capacity} = d \times L \times P_s$$

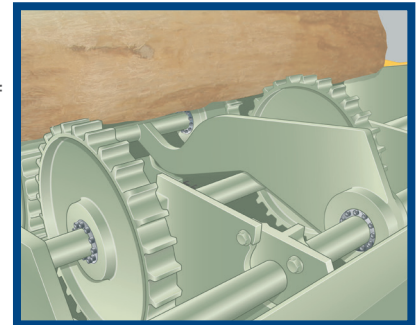
where:  $d$  = shaft diameter

$D$  = hub bore

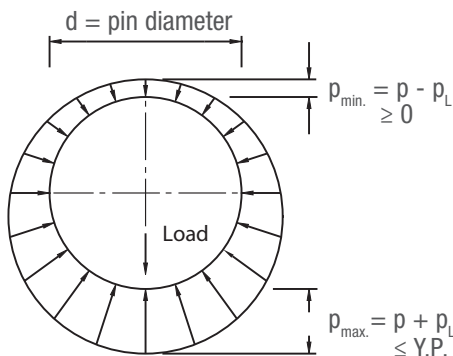
$L$  = contact length

$P_h$  = hub pressure

$$P_s = \text{shaft contact pressure} = P_h \times \frac{D}{d}$$



## Typical pressure distribution in backlash-free pin connections



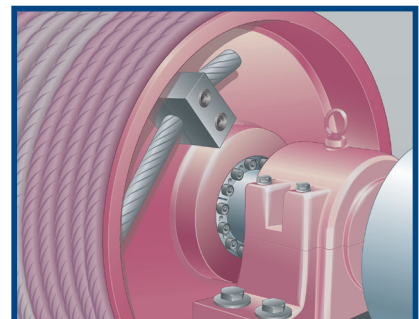
Explanations:

$p$  = contact pressure provided by keyless bushing

$p_L$  = contact pressure on projected contact area

$$= \frac{\text{load}}{d \times \text{contact length}}$$

Y.P. = yield point of pin material



## HUB SIZING

Fenner Industrial Motion Keyless Bushings transmit torque and other loads by means of mechanical interference generated by pressure exerted on both the shaft and mounted component hub. Therefore, consideration must be given to the amount of hub material (wall thickness) required to prevent permanent expansion (i.e., yielding). The following information is provided to assist you in determining the required hub diameter  $D_N$  for any keyless bushing application.

Following standard industry practice, the criterion  $\sigma_{ti} < S_y$  is used to determine  $D_N$  as follows:

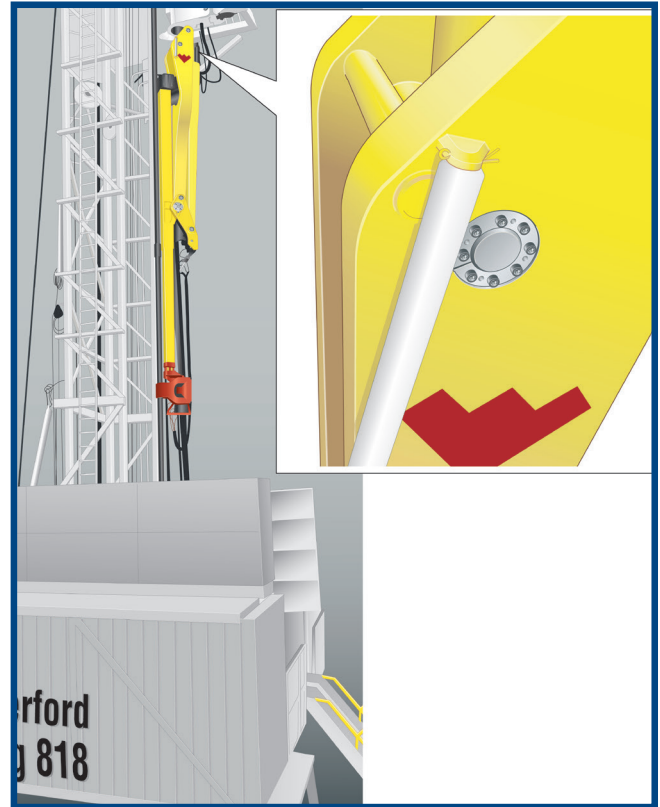
$$D_N = D \sqrt{\frac{S_y + (P_h \times C)}{S_y - (P_h \times C)}}$$

where:  $D$  = hub bore diameter (from product specifications)

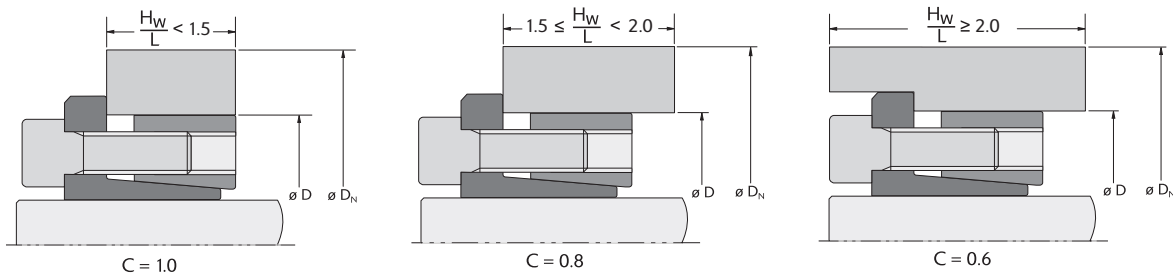
$P_h$  = contact pressure applied to hub bore (from product specifications)

$S_y$  = yield strength of hub material and

$C$  = Stress Reduction Factor which assumes the value of 1.0, 0.8 or 0.6 depending upon the relationship of your actual hub width  $H_w$  to the contact length  $L$  of the keyless bushing selected. Use the illustrations on the right to determine  $C$  for your application.



### Trantorque, B-LOC B109, B103, B106, B117, B400 & B800



### B-LOC B112, B113, & B115

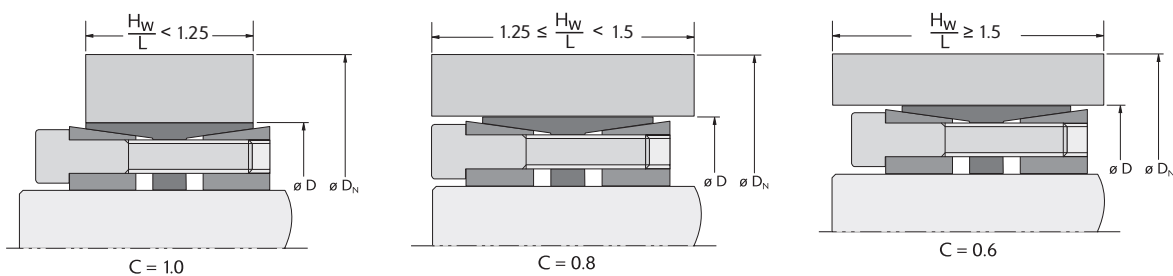
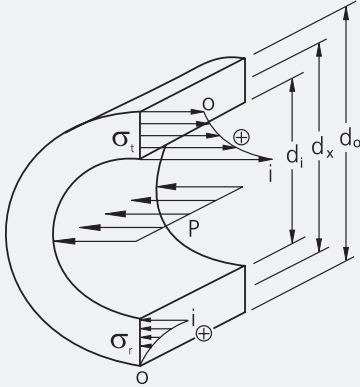


Table 1  
Note: Keyless Locking Device outer ring axial position must be roughly centered in the hub.

## THICK WALLED CYLINDER SUBJECTED TO INTERNAL PRESSURE



### TANGENTIAL STRESSES "st"

$$\sigma_{tx} = P \frac{Q}{1-Q} \left[ 1 + \frac{d_o^2}{d_x^2} \right]$$

$$\sigma_{ti} = P \frac{1+Q}{1-Q}$$

$$\sigma_{to} = 2P \frac{Q}{1-Q}$$

### RADIAL STRESSES "sr"

$$\sigma_{rx} = P \frac{Q}{1-Q} \left[ 1 - \frac{d_o^2}{d_x^2} \right]$$

$$\sigma_{ri} = -P$$

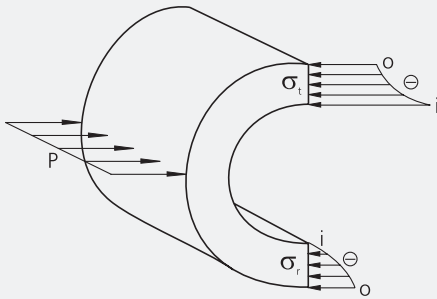
$$\sigma_{ro} = 0$$

### EXPANSION/CONTRACTION

$$\Delta d_i = \frac{P d_i}{E} \left[ \frac{(1+Q)}{(1-Q)} + \nu \right]$$

$$\Delta d_o = 2P \frac{d_o Q}{E(1-Q)}$$

## THICK WALLED CYLINDER SUBJECTED TO EXTERNAL PRESSURE



### TANGENTIAL STRESSES "st"

$$\sigma_{tx} = -\frac{P}{1-Q} \left[ 1 + \frac{d_i^2}{d_x^2} \right]$$

$$\sigma_{ti} = -\frac{2P}{1-Q}$$

$$\sigma_{to} = -P \frac{1+Q}{1-Q}$$

### RADIAL STRESSES "sr"

$$\sigma_{rx} = -\frac{P}{1-Q} \left[ 1 - \frac{d_i^2}{d_x^2} \right]$$

$$\sigma_{ri} = 0$$

$$\sigma_{ro} = -P$$

### EXPANSION/CONTRACTION

$$\Delta d_i = 2P \frac{d_i}{E(1-Q)}$$

$$\Delta d_o = \frac{P d_o}{E} \left[ \frac{(1+Q)}{(1-Q)} - \nu \right]$$

$$\tau = T \left( \frac{12}{2 \pi \left( \frac{d_o^4 - d_i^4}{32 x d_o} \right)} \right)$$

### COMBINED HUB STRESSES

$$\sigma_v = \sqrt{\sigma_t^2 + \sigma_r^2 - (\sigma_t \sigma_r) + 3\tau^2}$$

KEY i = inside of cylinder  
o = outside of cylinder

v = Poisson's ratio for steel: 0.29  
E = modulus of elasticity for steel:  $3.0 \times 10^7$  psi ( $2.07 \times 10^5$  N/mm<sup>2</sup>)

P = pressure  
T = torsional hub stress  
T = Applied Torque

$$Q = \left( \frac{d_i}{d_o} \right)^2$$

### Example for calculating minimum hub diameter:

Trantorque OE 1", assuming a 2" wide hub made of 55,000 psi yield strength material.

Locate part number 6410100 on page 18.

Record the values for outside diameter D, contact length L, and hub pressure P<sub>h</sub> and return to this page.

$$D = 1\frac{1}{2}"$$

$$L = 1"$$

$$P_h = 19,639 \text{ psi}$$

Determine the Stress Reduction Factor C, by first calculating the ratio of hub width to contact length (H<sub>w</sub>/L). Next, locate the appropriate product line in Table 1 on previous page to determine C.

NOTE: Contact Fenner Industrial Motion Technical Services if  $\frac{H_w}{L} < 2$

$$\frac{H_w}{L} = 2 \rightarrow C = 0.6$$

The last item required is the yield strength of your mounted component, S<sub>y</sub>. This value should be obtainable from the manufacturer of the mounted component or raw material supplier. For this example, the yield strength is 55,000 psi.

Substitute the values obtained above into the minimum hub diameter equation, D<sub>N</sub> to obtain your result.

$$D_N = 1.5 \sqrt{\frac{55,000 + (19,639 \times 0.6)}{55,000 - (19,639 \times 0.6)}} = 1.865"$$

### Worksheet for calculating minimum hub diameter:

	Above Example
Series	Trantorque OE
Part Number	6410400
Size	1"
Outside diameter, D	1.5
Contact Length, L	1
Hub Pressure, P <sub>h</sub>	19,639
Hub Size, H <sub>w</sub>	2"
Yield Strength, S <sub>y</sub>	55,000 psi

	Your Example
Series	
Part Number	
Size	
Outside diameter, D	
Contact Length, L	
Hub Pressure, P <sub>h</sub>	
Hub Size, H <sub>w</sub>	
Yield Strength, S <sub>y</sub>	

$$\frac{H_w}{L} = \frac{2}{1} = 2 \rightarrow C = 0.6$$

C is obtained from Table 1 on previous page for Trantorque where  $\frac{H_w}{L} \geq 2$

$$\frac{H_w}{L} = \frac{\text{[ ]}}{\text{[ ]}} = \text{[ ]} \rightarrow C = \text{[ ]}$$

$$D_N = D \sqrt{\frac{S_y + (P_h \times C)}{S_y - (P_h \times C)}}$$

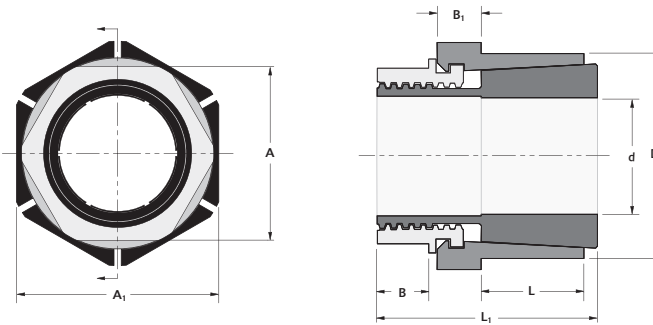
$$= 1.5 \sqrt{\frac{55,000 + (19,639 \times 0.6)}{55,000 - (19,639 \times 0.6)}} = 1.865"$$

$$D_N = D \sqrt{\frac{S_y + (P_h \times C)}{S_y - (P_h \times C)}}$$

$$= \text{[ ]} \sqrt{\frac{\text{[ ]} + (\text{[ ]} \times \text{[ ]})}{\text{[ ]} - (\text{[ ]} \times \text{[ ]})}} = \text{[ ]}$$

# Power Transmission - Trantorque

Trantorque  
**GT**  
Inch



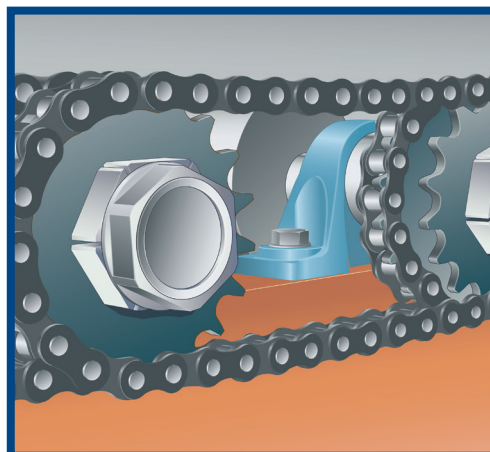
TOLERANCE ( $T_L$ )

$T_L$  for shaft and bore is  $\pm .003$ "  
for all sizes

## Trantorque GT – Inch

Part Number				d (inch)	D (inch)	L (inch)	L <sub>1</sub> (inch)	Wrench Size		B (inch)	B <sub>1</sub> (inch)	M <sub>a</sub> Install Torque (ft lb)	Shipping Weight (lb)
Steel	Electroless Nickel Plated Steel	Thin Dense Chrome Coated Steel	Stainless Steel					A (inch)	A <sub>1</sub> (inch)				
6202120UP	6202120EN	6202120DC	6990120	5/8	1 1/2	3/4	1 1/2	1 1/4	1 1/2	5/16	5/16	100	0.5
6202140UP	6202140EN	6202140DC	6990140	11/16	1 1/2	3/4	1 1/2	1 1/4	1 1/2	5/16	5/16	100	0.5
6202160UP	6202160EN	6202160DC	6990160	3/4	1 1/2	3/4	1 1/2	1 1/4	1 1/2	5/16	5/16	100	0.5
6202190UP	6202190EN	6202190DC	6990190	13/16	1 3/4	7/8	1 7/8	1 1/2	1 3/4	7/16	3/8	125	0.7
6202200UP	6202200EN	6202200DC	6990200	7/8	1 3/4	7/8	1 7/8	1 1/2	1 3/4	7/16	3/8	125	0.7
6202220UP	6202220EN	6202220DC	6990220	15/16	1 3/4	7/8	1 7/8	1 1/2	1 3/4	7/16	3/8	125	0.7
6202240UP	6202240EN	6202240DC	6990240	1	1 3/4	7/8	1 7/8	1 1/2	1 3/4	7/16	3/8	125	0.7
6202270UP	6202270EN	6202270DC	6990270	1 1/16	2	1	2 1/4	1 3/4	2	1/2	9/16	167	1.1
6202280UP	6202280EN	6202280DC	6990280	1 1/8	2	1	2 1/4	1 3/4	2	1/2	9/16	167	1.1
6202300UP	6202300EN	6202300DC	6990300	1 3/16	2	1	2 1/4	1 3/4	2	1/2	9/16	167	1.1
6202320UP	6202320EN	6202320DC	6990320	1 1/4	2	1	2 1/4	1 3/4	2	1/2	9/16	167	1.1
6202350UP	6202350EN	6202350DC	6990350	1 5/16	2 3/8	1 1/2	2 3/4	2	2 3/8	9/16	1/2	192	1.1
6202360UP	6202360EN	6202360DC	6990360	1 3/8	2 3/8	1 1/2	2 3/4	2	2 3/8	9/16	1/2	192	1.9
6202380UP	6202380EN	6202380DC	6990380	1 7/16	2 3/8	1 1/2	2 3/4	2	2 3/8	9/16	1/2	192	1.8
6202400UP	6202400EN	6202400DC	6990400	1 1/2	2 3/8	1 1/2	2 3/4	2	2 3/8	9/16	1/2	192	1.8
6202430UP	6202430EN	6202430DC	6990430	1 9/16	2 5/8	1 11/16	3 1/8	2 1/4	2 5/8	9/16	11/16	234	2.5
6202440UP	6202440EN	6202440DC	6990440	1 5/8	2 5/8	1 11/16	3 1/8	2 1/4	2 5/8	9/16	11/16	234	2.4
6202460UP	6202460EN	6202460DC	6990460	1 11/16	2 5/8	1 11/16	3 1/8	2 1/4	2 5/8	9/16	11/16	234	2.4
6202480UP	6202480EN	6202480DC	6990480	1 3/4	2 5/8	1 11/16	3 1/8	2 1/4	2 5/8	9/16	11/16	234	2.3
6202510UP	6202510EN	6202510DC	6990510	1 13/16	2 7/8	2	3 9/16	2 1/2	2 7/8	5/8	3/4	409	3.5
6202520UP	6202520EN	6202520DC	6990520	1 7/8	2 7/8	2	3 9/16	2 1/2	2 7/8	5/8	3/4	409	3.4
6202540UP	6202540EN	6202540DC	6990540	1 15/16	2 7/8	2	3 9/16	2 1/2	2 7/8	5/8	3/4	409	3.3
6202560UP	6202560EN	6202560DC	6990560	2	2 7/8	2	3 9/16	2 1/2	2 7/8	5/8	3/4	409	3.2
6202562UP	6202562EN	6202562DC	6990562	2 1/16	3 1/8	2 1/8	3 3/4	2 3/4	3 1/8	5/8	13/16	442	3.8
6202564UP	6202564EN	6202564DC	6990564	2 1/8	3 1/8	2 1/8	3 3/4	2 3/4	3 1/8	5/8	13/16	442	4
6202566UP	6202566EN	6202566DC	6990566	2 3/16	3 1/8	2 1/8	3 3/4	2 3/4	3 1/8	5/8	13/16	442	3.8
6202568UP	6202568EN	6202568DC	6990568	2 1/4	3 1/8	2 1/8	3 3/4	2 3/4	3 1/8	5/8	13/16	442	3.7
6202570UP	6202570EN	6202570DC	6990570	2 5/16	3 3/8	2 1/4	3 7/8	3	3 3/8	11/16	3/4	467	4.4
6202572UP	6202572EN	6202572DC	6990572	2 3/8	3 3/8	2 1/4	3 7/8	3	3 3/8	11/16	3/4	467	4.5
6202574UP	6202574EN	6202574DC	6990574	2 7/16	3 3/8	2 1/4	3 7/8	3	3 3/8	11/16	3/4	467	4.4
6202576UP	6202576EN	6202576DC	6990576	2 1/2	3 3/8	2 1/4	3 7/8	3	3 3/8	11/16	3/4	467	4.2
6202580UP	6202580EN	6202580DC	6990580	2 9/16	3 5/8	2 3/8	4 1/16	3 1/4	3 5/8	11/16	13/16	500	5
6202582UP	6202582EN	6202582DC	6990582	2 5/8	3 5/8	2 3/8	4 1/16	3 1/4	3 5/8	11/16	13/16	500	5.1
6202584UP	6202584EN	6202584DC	6990584	2 11/16	3 5/8	2 3/8	4 1/16	3 1/4	3 5/8	11/16	13/16	500	5
6202586UP	6202586EN	6202586DC	6990586	2 3/4	3 5/8	2 3/8	4 1/16	3 1/4	3 5/8	11/16	13/16	500	5
6202590UP	6202590EN	6202590DC	6990590	2 13/16	3 7/8	2 1/2	4 1/4	3 1/2	3 7/8	3/4	13/16	550	6
6202592UP	6202592EN	6202592DC	6990592	2 7/8	3 7/8	2 1/2	4 1/4	3 1/2	3 7/8	3/4	13/16	550	6
6202594UP	6202594EN	6202594DC	6990594	2 15/16	3 7/8	2 1/2	4 1/4	3 1/2	3 7/8	3/4	13/16	550	6
6202596UP	6202596EN	6202596DC	6990596	3	3 7/8	2 1/2	4 1/4	3 1/2	3 7/8	3/4	13/16	550	5

Trantorque  
**GT**  
 Inch



**Performance Data Table**

d (inch)	M <sub>t</sub>	T <sub>h</sub>	P <sub>h</sub> *
	Maximum Transmitted		Hub Pressure (psi)
	Torque (ft lb)	Thrust (lbs)	
5/8	164	6282	14316
11/16	180	6282	14316
3/4	196	6282	14316
13/16	222	6554	10015
7/8	239	6554	10015
15/16	256	6554	10015
1	273	6554	10015
1 1/16	333	7524	8917
1 1/8	353	7524	8917
1 3/16	372	7524	8917
1 1/4	392	7524	8917
1 5/16	412	7529	5194
1 3/8	431	7529	5194
1 7/16	452	7529	5194
1 1/2	471	7529	5194
1 9/16	535	8219	4599
1 5/8	557	8219	4599
1 11/16	578	8219	4599
1 3/4	599	8219	4599
1 13/16	979	12963	5639
1 7/8	1013	12963	5639
1 15/16	1047	12963	5639
2	1080	12963	5639
2 1/16	1087	12650	4781
2 1/8	1120	12650	4781
2 3/16	1153	12650	4781
2 1/4	1186	12650	4781
2 5/16	1181	12260	4064
2 3/8	1213	12260	4064
2 7/16	1245	12260	4064
2 1/2	1277	12260	4064
2 9/16	1295	12127	3554
2 5/8	1326	12127	3554
2 11/16	1358	12127	3554
2 3/4	1390	12127	3554
2 13/16	1452	12394	3233
2 7/8	1485	12394	3233
2 15/16	1517	12394	3233
3	1549	12394	3233

**MULTIPLIERS**

Steel	1.0
Electroless Nickel Plated Steel	0.6
Thin Dense Chrome Coated Steel	1.1
Stainless Steel	0.3

The data in the Performance Data Table is for a steel unit. To obtain data for other materials, use the multiplier provided.

For example, you require a 2" (d) Electroless Nickel Plated Trantorque GT.

Find 2" (d) in Performance Data Table and use the multiplier of 0.6 for Electroless Nickel Plated Steel.

$$M_t : 1080 \times 0.6 = 648$$

$$T_h : 12963 \times 0.6 = 7778$$

$$*P_h : 5639 \times 0.6 = 3383$$

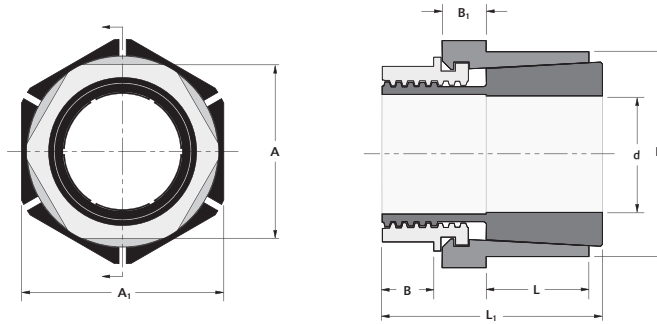
**\*IMPORTANT:**

After hub pressure (P<sub>h</sub>) is determined, record D, L and P<sub>h</sub> and refer to page 9 and 10 to calculate the minimum hub diameter.

Please note not all catalog items shown are stock. Some products are make-to-order (MTO) based on annual demand. Please verify with your customer service representative for current availability of the item desired.

# Power Transmission - Trantorque

## Trantorque GT Metric



TOLERANCE ( $T_L$ )

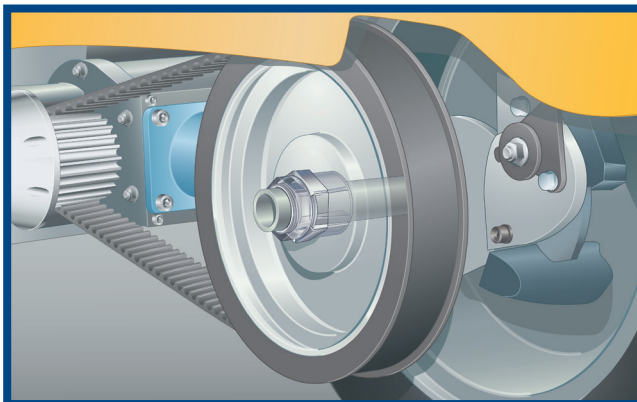
$T_L$  for shaft and bore is  $\pm .08\text{mm}$   
for all sizes

### Trantorque GT – Metric

Part Number				d (mm)	D (mm)	L (mm)	L <sub>1</sub> (mm)	Wrench Size		B (mm)	B <sub>1</sub> (mm)	M <sub>a</sub> Install Torque (Nm)	Shipping Weight (kg)
Steel	Electroless Nickel Plated Steel	Thin Dense Chrome Coated Steel	Stainless Steel					A (mm)	A <sub>1</sub> (inch)				
6202800UP	6202800EN	6202800DC	6990800	15	38.0	19.1	38.1	32	1 1/2	8.0	8.9	136	0.2
6202803UP	6202803EN	6202803DC	6990803	16	38.0	19.1	38.1	32	1 1/2	8.0	8.9	136	0.2
6202804UP	6202804EN	6202804DC	6990804	17	38.0	19.1	38.1	32	1 1/2	8.0	8.9	136	0.2
6202805UP	6202805EN	6202805DC	6990805	18	38.0	19.1	38.1	32	1 1/2	8.0	8.9	136	0.2
6202808UP	6202808EN	6202808DC	6990808	19	38.0	19.1	38.1	32	1 1/2	8.0	8.9	136	0.2
6202811UP	6202811EN	6202811DC	6990811	20	45.0	22.2	47.6	38	1 3/4	11.1	9.5	170	0.4
6202815UP	6202815EN	6202815DC	6990815	22	45.0	22.2	47.6	38	1 3/4	11.1	9.5	170	0.4
6202820UP	6202820EN	6202820DC	6990820	24	45.0	22.2	47.6	38	1 3/4	11.1	9.5	170	0.3
6202825UP	6202825EN	6202825DC	6990825	25	45.0	22.2	47.6	38	1 3/4	11.1	9.5	170	0.3
6202830UP	6202830EN	6202830DC	6990830	28	51.0	25.4	57.2	46	2	12.7	14.3	225	0.5
6202835UP	6202835EN	6202835DC	6990835	30	51.0	25.4	57.2	46	2	12.7	14.3	225	0.5
6202840UP	6202840EN	6202840DC	6990840	32	51.0	25.4	57.2	46	2	12.7	14.3	225	0.5
6202845UP	6202845EN	6202845DC	6990845	34	60.5	38.1	69.9	50	2 3/8	14.3	12.7	260	0.9
6202850UP	6202850EN	6202850DC	6990850	35	60.5	38.1	69.9	50	2 3/8	14.3	12.7	260	0.9
6202855UP	6202855EN	6202855DC	6990855	36	60.5	38.1	69.9	50	2 3/8	14.3	12.7	260	0.9
6202860UP	6202860EN	6202860DC	6990860	38	60.5	38.1	69.9	50	2 3/8	14.3	12.7	260	0.8
6202865UP	6202865EN	6202865DC	6990865	40	67.0	42.9	79.4	60	2 5/8	14.3	17.4	316	1.2
6202870UP	6202870EN	6202870DC	6990870	42	67.0	42.9	79.4	60	2 5/8	14.3	17.4	316	1.1
6202876UP	6202876EN	6202876DC	6990876	45	73.0	50.8	90.5	65	2 7/8	15.9	19.1	554	1.6
6202880UP	6202880EN	6202880DC	6990880	48	73.0	50.8	90.5	65	2 7/8	15.9	19.1	554	1.6
6202885UP	6202885EN	6202885DC	6990885	50	73.0	50.8	90.5	65	2 7/8	15.9	19.1	554	1.5
6202900UP	6202900EN	6202900DC	6990900	55	80.0	54.0	95.3	70	3 1/8	15.9	20.7	600	1.8
6202910UP	6202910EN	6202910DC	6990910	60	86.0	57.2	98.4	75	3 3/8	17.5	19.1	635	2
6202920UP	6202920EN	6202920DC	6990920	65	92.0	60.3	103.2	82	3 5/8	17.5	20.7	680	2
6202930UP	6202930EN	6202930DC	6990930	70	92.0	60.3	103.2	82	3 5/8	17.5	20.7	680	2
6202940UP	6202940EN	6202940DC	6990940	75	100.0	63.5	108.0	90	3 7/8	19.1	20.7	750	3

Please note not all catalog items shown are stock. Some products are make-to-order (MTO) based on annual demand. Please verify with your customer service representative for current availability of the item desired.

Trantorque  
**GT**  
 Metric



Performance Data Table

d (mm)	M <sub>t</sub>	Th	P <sub>h</sub> *
	Maximum Transmitted		Hub Pressure (N/mm <sup>2</sup> )
	Torque (Nm)	Thrust (kN)	
15	210	28	99
16	224	28	99
17	238	28	99
18	252	28	99
19	266	28	99
20	292	29	68
22	322	29	68
24	351	29	68
25	366	29	68
28	466	33	61
30	499	33	61
32	532	33	61
34	569	33	36
35	585	33	36
36	602	33	36
38	636	33	36
40	728	36	31
42	765	36	31
45	1296	58	39
48	1383	58	39
50	1440	58	39
55	1549	56	33
60	1641	55	28
65	1759	54	25
70	1894	54	25
75	2079	55	22

MULTIPLIERS

Steel	1.0
Electroless Nickel Plated Steel	0.6
Thin Dense Chrome Coated Steel	1.1
Stainless Steel	0.3

The data in the Performance Data Table is for a steel unit. To obtain data for other materials, use the multiplier provided.

For example, you require a 30mm (d) Electroless Nickel Plated Trantorque GT.

Find 30mm (d) in Performance Data Table and use the multiplier of 0.6 for Electroless Nickel Plated Steel.

$$M_t : 499 \times 0.6 = 266$$

$$T_h : 33 \times 0.6 = 20$$

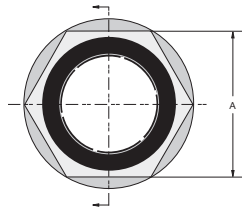
$$*P_h : 61 \times 0.6 = 37$$

\*IMPORTANT:

After hub pressure (P<sub>h</sub>) is determined, record D, L and P<sub>h</sub> and refer to page 9 and 10 to calculate the minimum hub diameter.

# Power Transmission - Trantorque

## Trantorque Mini Inch and Metric



TOLERANCE (T<sub>L</sub>)

T<sub>L</sub> for shaft and bore is ± .0015"  
(.04mm) for all sizes

### Trantorque Mini – Inch

Part Number				d (inch)	D (inch)	L (inch)	L <sub>1</sub> (inch)	Wrench Size		M <sub>a</sub> †	Shipping Weight (lb)
Steel	Electroless Nickel Plated Steel	Thin Dense Chrome Coated Steel	Stainless Steel					A (inch)	B (inch)		
6410013	6202102EN	6410013DC	6990102	1/8	5/8	3/8	3/4	1/2	1/8	125	0.1
6410019	6202103EN	6410019DC	6990103	3/16	5/8	3/8	3/4	1/2	1/8	125	0.1
6410025	6202105EN	6410025DC	6990105	1/4	5/8	3/8	3/4	1/2	1/8	125	0.1
6410031	6202107EN	6410031DC	6990107	5/16	3/4	7/16	7/8	5/8	1/8	250	0.1
6410038	6202109EN	6410038DC	6990109	3/8	3/4	7/16	7/8	5/8	1/8	250	0.1
6410044	6202110EN	6410044DC	6990110	7/16	7/8	1/2	1	3/4	3/16	390	0.1
6410050	6202112EN	6410050DC	6990112	1/2	7/8	1/2	1	3/4	3/16	390	0.1
6410056	6202114EN	6410056DC	6990114	9/16	1	5/8	1 1/8	7/8	3/16	585	0.1
6410063	6202115EN	6410063DC	6990115	5/8	1	5/8	1 1/8	7/8	3/16	585	0.1

### Trantorque Mini – Metric

Part Number				d (mm)	D (mm)	L (mm)	L <sub>1</sub> (mm)	Wrench Size		M <sub>a</sub> †	Shipping Weight (kg)
Steel	Electroless Nickel Plated Steel	Thin Dense Chrome Coated Steel	Stainless Steel					A (mm)	B (mm)		
TTQM0316	TTQM0316EN	TTQM0316DC	TTQM0316SS	3	16	10	19	13	3	14	0.02
TTQM0416	TTQM0416EN	TTQM0416DC	TTQM0416SS	4	16	10	19	13	3	14	0.02
TTQM0516	TTQM0516EN	TTQM0516DC	TTQM0516SS	5	16	10	19	13	3	14	0.02
TTQM0616	TTQM0616EN	TTQM0616DC	TTQM0616SS	6	16	10	19	13	3	14	0.02
TTQM0720	TTQM0720EN	TTQM0720DC	TTQM0720SS	7	20	11	22	16	3	28	0.03
TTQM0820	TTQM0820EN	TTQM0820DC	TTQM0820SS	8	20	11	22	16	3	28	0.03
TTQM0920	TTQM0920EN	TTQM0920DC	TTQM0920SS	9	20	11	22	16	3	28	0.03
TTQM1023	TTQM1023EN	TTQM1023DC	TTQM1023SS	10	23	13	26	19	5	44	0.05
TTQM1123	TTQM1123EN	TTQM1123DC	TTQM1123SS	11	23	13	26	19	5	44	0.05
TTQM1223	TTQM1223EN	TTQM1223DC	TTQM1223SS	12	23	13	26	19	5	44	0.05
TTQM1426	TTQM1426EN	TTQM1426DC	TTQM1426SS	14	26	16	29	22	5	66	0.06
TTQM1526	TTQM1526EN	TTQM1526DC	TTQM1526SS	15	26	16	29	22	5	66	0.06
TTQM1626	TTQM1626EN	TTQM1626DC	TTQM1626SS	16	26	16	29	22	5	66	0.06

### Performance Data Tables

d (inch)	M <sub>t</sub> †	Th	Ph*
	Maximum Transmitted		Hub Pressure (psi)
	Torque (in lb)	Thrust (lbs)	
1/8	100	1608	18193
3/16	151	1608	18193
1/4	201	1608	18193
5/16	404	2584	20890
3/8	485	2584	20890
7/16	737	3368	20421
1/2	842	3368	20421
9/16	1223	4349	18459
5/8	1359	4349	18459

d (mm)	M <sub>t</sub> †	Th	Ph*
	Maximum Transmitted		Hub Pressure (N/mm <sup>2</sup> )
	Torque (Nm)	Thrust (kN)	
3	11	7	123
4	14	7	123
5	18	7	123
6	21	7	123
7	40	11	136
8	46	11	136
9	51	11	136
10	75	15	136
11	82	15	136
12	90	15	136
14	135	19	124
15	145	19	124
16	155	19	124

#### MULTIPLIERS

Steel	1.0
Electroless Nickel Plated Steel	0.8
Thin Dense Chrome Coated Steel	1.0
Stainless Steel	0.35

(continued on page 17)

Please note not all catalog items shown are stock. Some products are make-to-order (MTO) based on annual demand. Please verify with your customer service representative for current availability of the item desired.

**Trantorque Mini Performance Data (continued from page 16)**

The data in the Performance Data Table is for a steel unit. To obtain data for other materials, use the multiplier provided.

For example, you require a 1/4" (d) Electroless Nickel Plated Trantorque Mini.

Find 1/4" (d) in Performance Data Table and use the multiplier of 0.8 for Electroless Nickel Plated Steel.

$M_t : 201 \times 0.8 = 161$

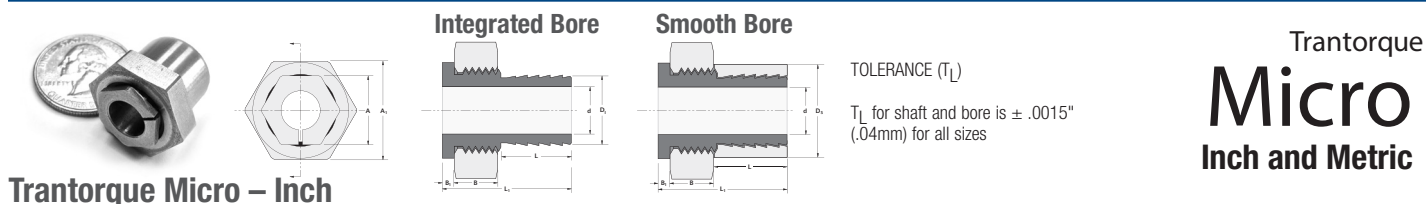
$T_h : 1608 \times 0.8 = 1286$

\* $P_h : 18193 \times 0.8 = 14554$

**\* IMPORTANT:**

After hub pressure ( $P_h$ ) is determined, record D, L and  $P_h$  and refer to page 9 and 10 to calculate the minimum hub diameter.

† When installing Trantorque Mini with an open-ended wrench, a reduction in installation torque by 50% is recommended. This will result in a Transmitted Torque ( $M_t$ ) reduced by 50%.



Trantorque  
**Micro**  
Inch and Metric

**Trantorque Micro – Inch**

Size (in)	d (in)	Integrated Bore Di (in)	Smooth Bore Ds (in)	L (in)	L1 (in)	Wrench Size		B (in)	B1 (in)	Ma (in-lb)	Shipping Weight (lb)	Maximum Transmitted		Smooth Bore Hub Pressure (psi)	A	A1
						A (in)	A1 (in)					Torque (in-lb)	Thrust (lb)			
1/8	0.125	0.369	0.563	0.38	0.67	7/16	11/16	0.06	0.22	125	0.050	46	738	9275	0.4375	0.6875
3/16	0.188	0.369	0.613	0.38	0.67	7/16	11/16	0.06	0.22	150	0.052	83	885	10221	0.4375	0.6875
1/4	0.250	0.369	0.613	0.38	0.67	7/16	11/16	0.06	0.22	150	0.048	111	885	10221	0.4375	0.6875
5/16	0.313	0.431	0.625	0.44	0.76	1/2	3/4	0.06	0.25	150	0.057	120	771	7478	0.5	0.75
3/8	0.375	0.550	0.750	0.44	0.83	5/8	15/16	0.06	0.31	150	0.099	116	620	5008	0.625	0.9375
7/16	0.438	0.550	0.750	0.50	0.92	5/8	15/16	0.09	0.31	150	0.096	136	620	4387	0.625	0.9375
1/2	0.500	0.666	0.875	0.63	1.11	3/4	1 1/8	0.09	0.38	225	0.167	194	777	3767	0.75	1.125
9/16	0.563	0.666	0.875	0.75	1.25	3/4	1 1/8	0.11	0.38	225	0.164	218	777	3139	0.75	1.125
5/8	0.625	0.791	1.000	0.94	1.52	7/8	1 5/16	0.13	0.44	300	0.276	280	895	2533	0.875	1.3125

**Trantorque Micro – Metric**

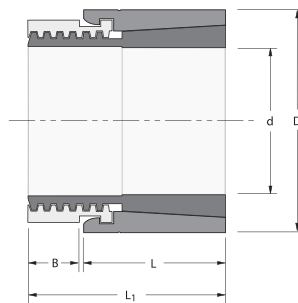
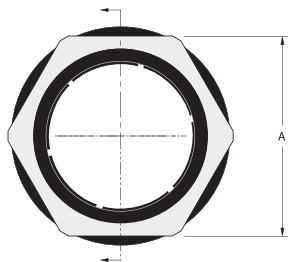
16Size (mm)	d (mm)	Integrated Bore Di (mm)	Smooth Bore Ds (mm)	L (mm)	L1 (mm)	Wrench Size		B (mm)	B1 (mm)	Ma (Nm)	Shipping Weight (kg)	Maximum Transmitted		Smooth Bore Hub Pressure (N/mm^2)	A	A1
						A (mm)	A1 (mm)					Torque (Nm)	Thrust (kN)			
3	3	9.37	14.29	9.5	17.0	12.0	17.0	1.5	5.6	14	0.023	5	3.3	64	0.4375	0.6875
4	4	9.37	14.29	9.5	17.0	12.0	17.0	1.5	5.6	17	0.022	8	3.9	77	0.4375	0.6875
5	5	9.37	15.56	9.5	17.0	12.0	17.0	1.5	5.6	17	0.023	10	3.9	70	0.4375	0.6875
6	6	9.37	15.56	9.5	17.0	12.0	17.0	1.5	5.6	17	0.022	12	3.9	70	0.4375	0.6875
7	7	10.95	15.56	9.5	17.8	13.0	19.0	1.5	6.4	17	0.025	12	3.4	61	0.5	0.75
8	8	10.95	15.88	11.1	19.4	13.0	19.0	1.5	6.4	17	0.026	14	3.4	52	0.5	0.75
9	9	13.97	19.05	11.1	21.0	16.0	23.0	1.5	7.9	17	0.046	12	2.8	35	0.625	0.9375
10	10	13.97	19.05	12.7	23.4	16.0	23.0	2.4	7.9	17	0.047	14	2.8	30	0.625	0.9375
11	11	13.97	19.05	12.7	23.4	16.0	23.0	2.4	7.9	17	0.044	15	2.8	30	0.625	0.9375
12	12	13.97	19.05	12.7	23.4	16.0	23.0	2.4	7.9	17	0.041	17	3.6	40	0.625	0.9375
13	13	16.92	22.23	15.9	28.2	20.0	28.0	2.4	9.5	25	0.074	22	3.5	26	0.75	1.125
14	14	16.92	22.23	19.1	31.8	20.0	28.0	2.8	9.5	25	0.076	24	3.5	22	0.75	1.125
15	15	16.92	22.23	19.1	31.8	20.0	28.0	2.8	9.5	25	0.071	26	3.5	22	0.75	1.125
16	16	20.09	25.40	23.8	38.5	23.0	33.0	3.2	11.1	34	0.124	32	4.0	17	0.875	1.3125

\* All Trantorque Micro orders are subject to a 25 piece minimum.

Please note not all catalog items shown are stock. Some products are make-to-order (MTO) based on annual demand. Please verify with your customer service representative for current availability of the item desired.

# Power Transmission - Trantorque

Trantorque  
**OE**  
Inch



TOLERANCE ( $T_L$ )  
 $T_L$  for shaft and bore is  $\pm .003"$   
for all sizes

## Trantorque OE – Inch

Part Number				d (inch)	D (inch)	L (inch)	L <sub>1</sub> (inch)	Wrench Size	B (inch)	M <sub>a</sub> †	Shipping Weight (lb)
Steel	Electroless Nickel Plated Steel	Thin Dense Chrome Coated Steel	Stainless Steel					A (inch)		Install Torque (ft lb)	
6410069	6410069EN	6410069DC	6410069SS	11/16	1 1/4	7/8	1 5/32	1 1/8	1/4	82	0.2
6410075	6410075EN	6410075DC	6410075SS	3/4	1 1/4	7/8	1 5/32	1 1/8	1/4	82	0.2
6410081	6410081EN	6410081DC	6410081SS	13/16	1 3/8	15/16	1 1/4	1 1/4	1/4	111	0.2
6410088	6410088EN	6410088DC	6410088SS	7/8	1 3/8	15/16	1 1/4	1 1/4	1/4	111	0.2
6410094	6410094EN	6410094DC	6410094SS	15/16	1 1/2	1	1 11/32	1 3/8	5/16	137	0.4
6410100	6410100EN	6410100DC	6410100SS	1	1 1/2	1	1 11/32	1 3/8	5/16	137	0.3
6410106	6410106EN	6410106DC	6410106SS	1 1/16	1 5/8	1 1/16	1 15/32	1 1/2	3/8	155	0.4
6410113	6410113EN	6410113DC	6410113SS	1 1/8	1 5/8	1 1/16	1 15/32	1 1/2	3/8	155	0.4
6410119	6410119EN	6410119DC	6410119SS	1 3/16	1 3/4	1 1/8	1 19/32	1 5/8	7/16	177	0.5
6410125	6410125EN	6410125DC	6410125SS	1 1/4	1 3/4	1 1/8	1 19/32	1 5/8	7/16	177	0.5
6410131	6410131EN	6410131DC	6410131SS	1 5/16	1 7/8	1 3/16	1 11/16	1 3/4	1/2	196	0.6
6410138	6410138EN	6410138DC	6410138SS	1 3/8	1 7/8	1 3/16	1 11/16	1 3/4	1/2	196	0.6
6410144	6410144EN	6410144DC	6410144SS	1 7/16	2	1 1/4	1 25/32	1 7/8	1/2	196	0.7
6410150	6410150EN	6410150DC	6410150SS	1 1/2	2	1 1/4	1 25/32	1 7/8	1/2	196	0.6

## Performance Data Table

d (inch)	M <sub>t</sub> †	Th	P <sub>h</sub> * <sup>‡</sup>
	Maximum Transmitted		Hub Pressure (psi)
	Torque (ft lb)	Thrust (lbs)	
11/16	166	5805	20843
3/4	181	5805	20843
13/16	241	7113	21014
7/8	259	7113	21014
15/16	311	7963	19639
1	332	7963	19639
1 1/16	364	8224	17211
1 1/8	386	8224	17211
1 3/16	431	8712	15664
1 1/4	454	8712	15664
1 5/16	489	8938	14004
1 3/8	512	8938	14004
1 7/16	500	8336	11469
1 1/2	512	8336	11469

### MULTIPLIERS

Steel	1.0
Electroless Nickel Plated Steel	0.6
Thin Dense Chrome Coated Steel	0.9
Stainless Steel	0.3

The data in the Performance Data Table is for a steel unit. To obtain data for other materials, use the multiplier provided.

For example, you require a 1" (d) Electroless Nickel Plated Trantorque OE.

Find 1" (d) in Performance Data Table and use the multiplier of 0.6 for Electroless Nickel Plated Steel.

$$M_t : 332 \times 0.6 = 199$$

$$T_h : 7963 \times 0.6 = 4778$$

$$*P_h : 19639 \times 0.6 = 11783$$

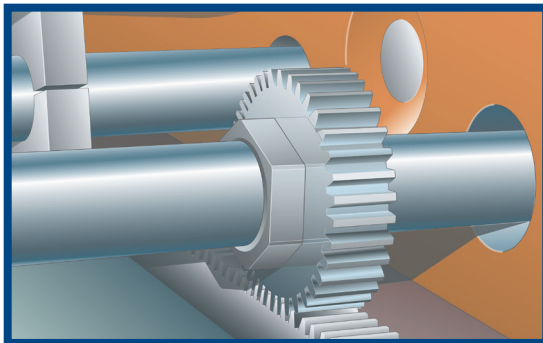
### \* IMPORTANT:

After hub pressure (P<sub>h</sub>) is determined, record D, L and P<sub>h</sub> and refer to page 9 and 10 to calculate the minimum hub diameter.

† When installing Trantorque OE with an open-ended wrench, a reduction in installation torque by 50% is recommended. This will result in a Transmitted Torque (M<sub>t</sub>) reduced by 50%.

Please note not all catalog items shown are stock. Some products are make-to-order (MTO) based on annual demand. Please verify with your customer service representative for current availability of the item desired.

Trantorque  
**OE**  
Metric

TOLERANCE ( $T_L$ )
 $T_L$  for shaft and bore is  $\pm .08\text{mm}$   
for all sizes

## Trantorque OE – Metric

Part Number				d (mm)	D (mm)	L (mm)	L <sub>1</sub> (mm)	Wrench Size	B (mm)	M <sub>a</sub> †	Shipping Weight (kg)
Steel	Electroless Nickel Plated Steel	Thin Dense Chrome Coated Steel	Stainless Steel					A (mm)		Install Torque (Nm)	
TTQM1732	TTQM1732EN	TTQM1732DC	TTQM1732SS	17	32	22	29	30	6	110	0.1
TTQM1832	TTQM1832EN	TTQM1832DC	TTQM1832SS	18	32	22	29	30	6	110	0.1
TTQM1932	TTQM1932EN	TTQM1932DC	TTQM1932SS	19	32	22	29	30	6	110	0.1
TTQM2035	TTQM2035EN	TTQM2035DC	TTQM2035SS	20	35	24	32	32	7	150	0.1
TTQM2235	TTQM2235EN	TTQM2235DC	TTQM2235SS	22	35	24	32	32	7	150	0.1
TTQM2438	TTQM2438EN	TTQM2438DC	TTQM2438SS	24	38	25	34	36	7	185	0.2
TTQM2538	TTQM2538EN	TTQM2538DC	TTQM2538SS	25	38	25	34	36	7	185	0.2
TTQM2845	TTQM2845EN	TTQM2845DC	TTQM2845SS	28	45	29	41	46	11	240	0.3
TTQM3045	TTQM3045EN	TTQM3045DC	TTQM3045SS	30	45	29	41	46	11	240	0.3
TTQM3250	TTQM3250EN	TTQM3250DC	TTQM3250SS	32	50	30	43	50	11	265	0.4
TTQM3550	TTQM3550EN	TTQM3550DC	TTQM3550SS	35	50	30	43	50	11	265	0.3

## Performance Data Table

d (mm)	M <sub>t</sub> †	Th	P <sub>H</sub> *
	Maximum Transmitted		Hub Pressure (N/mm <sup>2</sup> )
	Torque (Nm)	Thrust (kN)	
17	218	26	142
18	231	26	142
19	244	26	142
20	315	32	144
22	347	32	144
24	425	35	136
25	443	35	136
28	539	38	106
30	577	38	106
32	618	39	84
35	676	39	84

### MULTIPLIERS

Steel	1.0
Electroless Nickel Plated Steel	0.6
Thin Dense Chrome Coated Steel	0.9
Stainless Steel	0.3

The data in the Performance Data Table is for a steel unit. To obtain data for other materials, use the multiplier provided.

For example, you require a 20mm (d) Electroless Nickel Plated Trantorque OE.

Find 20mm (d) in Performance Data Table and use the multiplier of 0.6 for Electroless Nickel Plated Steel.

$$M_t : 315 \times 0.6 = 189$$

$$T_H : 32 \times 0.6 = 19$$

$$*P_H : 144 \times 0.6 = 86$$

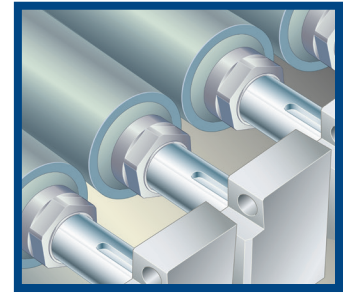
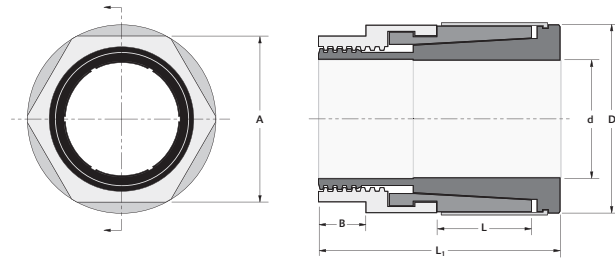
### \*IMPORTANT:

After hub pressure ( $P_H$ ) is determined, record D, L and Ph and refer to page 9 and 10 to calculate the minimum hub diameter.

† When installing Trantorque OE with an open-ended wrench, a reduction in installation torque by 50% is recommended. This will result in a Transmitted Torque ( $M_t$ ) reduced by 50%.

Please note not all catalog items shown are stock. Some products are make-to-order (MTO) based on annual demand. Please verify with your customer service representative for current availability of the item desired.

## Trantorque NT Inch



TOLERANCE ( $T_L$ )

$T_L$  for shaft and bore is .0015" for Part Numbers 6980103UP – 6980119UP

$T_L$  for shaft and bore is .003" for all other Trantorque NT

### Trantorque NT – Inch

Part Number	d (inch)	D (inch)	L (inch)	L <sub>1</sub> (inch)	Wrench Size A (inch)	B (inch)	M <sub>a</sub>	M <sub>t</sub>	Th	P <sub>h</sub> *
							Install Torque (in lb)	Maximum Transmitted		Hub Pressure (psi)
Steel							Torque (ft lb)	Thrust (lbs)		
6980103UP	3/16	5/8	3/8	1 1/16	1/2	1/8	125	7	876	9918
6980105UP	1/4	5/8	3/8	1 1/16	1/2	1/8	125	9	876	9918
6980107UP	5/16	3/4	7/16	1 3/16	5/8	1/8	150	11	845	6833
6980109UP	3/8	3/4	7/16	1 3/16	5/8	1/8	150	13	845	6833
6980110UP	7/16	7/8	1/2	1 5/16	3/4	3/16	175	15	824	4995
6980112UP	1/2	7/8	1/2	1 5/16	3/4	3/16	175	17	824	4995
6980114UP	9/16	1	5/8	1 7/16	7/8	3/16	200	19	811	3440
6980115UP	5/8	1	5/8	1 7/16	7/8	3/16	200	21	811	3440
6980119UP	3/4	1 1/4	3/4	1 11/16	1 1/16	1/4	700	73	2326	6581
6980120UP	5/8	1 1/2	11/16	1 13/16	1 1/4	5/16	1200	91	3484	8960
6980140UP	11/16	1 1/2	11/16	1 13/16	1 1/4	5/16	1200	100	3484	8960
6980160UP	3/4	1 1/2	11/16	1 13/16	1 1/4	5/16	1200	109	3484	8960
6980190UP	13/16	1 3/4	13/16	2 3/16	1 1/2	7/16	1500	122	3594	6704
6980200UP	7/8	1 3/4	13/16	2 3/16	1 1/2	7/16	1500	131	3594	6704
6980220UP	15/16	1 3/4	13/16	2 3/16	1 1/2	7/16	1500	140	3594	6704
6980240UP	1	1 3/4	13/16	2 3/16	1 1/2	7/16	1500	150	3594	6704
6980270UP	1 1/16	2	15/16	2 9/16	1 3/4	1/2	2000	183	4137	5853
6980280UP	1 1/8	2	15/16	2 9/16	1 3/4	1/2	2000	194	4137	5853
6980300UP	1 3/16	2	15/16	2 9/16	1 3/4	1/2	2000	205	4137	5853
6980320UP	1 1/4	2	15/16	2 9/16	1 3/4	1/2	2000	215	4137	5853
6980350UP	1 5/16	2 3/8	1 7/16	3 3/32	2	9/16	2300	225	4113	3196
6980360UP	1 3/8	2 3/8	1 7/16	3 3/32	2	9/16	2300	236	4113	3196
6980380UP	1 7/16	2 3/8	1 7/16	3 3/32	2	9/16	2300	246	4113	3196
6980400UP	1 1/2	2 3/8	1 7/16	3 3/32	2	9/16	2300	257	4113	3196
6980430UP	1 9/16	2 5/8	1 5/8	3 15/32	2 1/4	9/16	2800	291	4466	2777
6980440UP	1 5/8	2 5/8	1 5/8	3 15/32	2 1/4	9/16	2800	302	4466	2777
6980460UP	1 11/16	2 5/8	1 5/8	3 15/32	2 1/4	9/16	2800	314	4466	2777
6980480UP	1 3/4	2 5/8	1 5/8	3 15/32	2 1/4	9/16	2800	326	4466	2777
6980510UP	1 13/16	2 7/8	1 15/16	4 3/64	2 1/2	5/8	4900	531	7029	3347
6980520UP	1 7/8	2 7/8	1 15/16	4 3/64	2 1/2	5/8	4900	549	7029	3347
6980540UP	1 15/16	2 7/8	1 15/16	4 3/64	2 1/2	5/8	4900	567	7029	3347
6980560UP	2	2 7/8	1 15/16	4 3/64	2 1/2	5/8	4900	586	7029	3347

\*IMPORTANT: Please refer to page 9 and 10 to calculate your minimum hub diameter.

Consult factory for weights and availability.

Please note not all catalog items shown are stock. Some products are make-to-order (MTO) based on annual demand. Please verify with your customer service representative for current availability of the item desired.

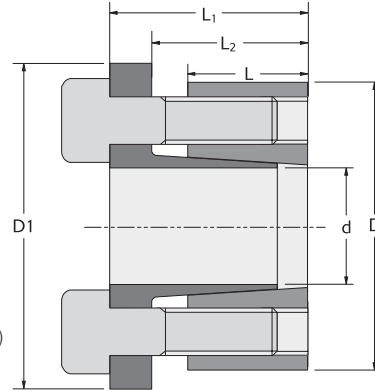
## B109 Inch and Metric



Locking screws transfer to integrated push-off holes for disassembly.

Metric socket head locking screws  
ISO 4762 grade 12.9  
(See  $M_a$  for install torque).

Screw head height = screw diameter (mm)



TOLERANCE ( $T_1$ )

Tolerance ( $T_1$ ) for shaft and bore is  $\pm .001''$  (.025mm) for all sizes.

### B109 — Inch

Part Number	d (inch)	D (inch)	D <sub>1</sub> (inch)	L (inch)	L <sub>1</sub> (inch)	L <sub>2</sub> (inch)	Locking Screws		M <sub>a</sub> Install Torque (in lb)	M <sub>t</sub> Maximum Transmitted Torque (in lb)	Th Thrust (lbs)	P <sub>h</sub> Hub Pressure (psi)	Shipping Weight (lb)
							Qty	Size					
							T902004	1/4	13/16	15/16	0.394	0.650	
T902005	5/16	7/8	1	0.394	0.650	0.516	3	M4 x 12	42.5	246	1572	12096	0.1
T902006	3/8	15/16	1 1/16	0.394	0.650	0.516	3	M4 x 12	42.5	295	1572	11290	0.1
B902008	1/2	1 1/16	1 3/16	0.394	0.650	0.516	4	M4 x 12	42.5	524	2096	13282	0.1
T902010	5/8	1 3/16	1 5/16	0.472	0.807	0.594	6	M4 x 14	42.5	983	3144	14880	0.2
B902012	3/4	1 5/16	1 7/16	0.472	0.807	0.594	6	M4 x 14	42.5	1179	3144	13463	0.2
T902014	7/8	1 9/16	1 3/4	0.591	0.984	0.754	6	M5 x 18	87.0	2264	5174	14863	0.4
B902100	1	1 11/16	1 7/8	0.591	0.984	0.754	8	M5 x 18	87.0	3449	6899	18349	0.4
T902102	1 1/8	1 7/8	2	0.669	1.102	0.829	9	M5 x 18	87.0	4366	7761	16412	0.6
T902103	1 3/16	1 15/16	2 1/16	0.669	1.102	0.829	10	M5 x 18	87.0	5120	8623	17647	0.6
B902104	1 1/4	2	2 1/8	0.669	1.102	0.829	10	M5 x 18	87.0	5390	8623	17096	0.6
B902106	1 3/8	2 1/8	2 1/4	0.669	1.102	0.829	10	M5 x 18	87.0	5929	8623	16090	0.6

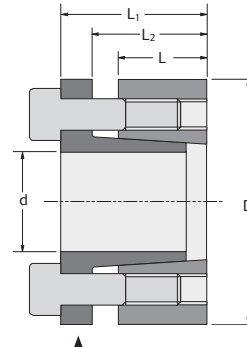
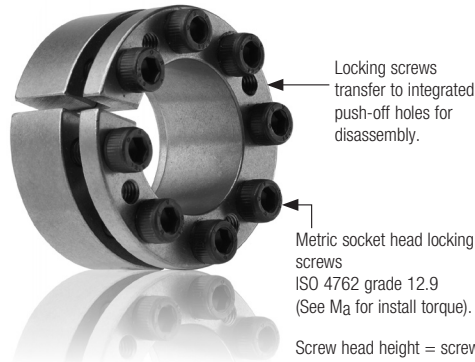
### B109 — Metric

Part Number	d (mm)	D (mm)	D <sub>1</sub> (mm)	L (mm)	L <sub>1</sub> (mm)	L <sub>2</sub> (mm)	Locking Screws		M <sub>a</sub> Install Torque (Nm)	M <sub>t</sub> Maximum Transmitted Torque (Nm)	Th Thrust (N)	P <sub>h</sub> Hub Pressure (N/mm <sup>2</sup> )	Shipping Weight (kg)
							Qty	Size					
							T901006	6	20.64	23.81	10	16.5	
T901008	8	22.23	25.40	10	16.5	13.1	3	M4 x 12	5	29	7285	87	0.05
B901010	10	23.81	27.00	10	16.5	13.1	3	M4 x 12	5	36	7285	81	0.05
T901011	11	26.99	30.16	10	16.5	13.1	4	M4 x 12	5	53	9713	95	0.05
T901012	12	26.99	30.16	10	16.5	13.1	4	M4 x 12	5	58	9713	95	0.05
T901014	14	30.16	33.34	12	20.5	15.1	6	M4 x 14	5	102	14569	107	0.05
T901015	15	30.16	33.34	12	20.5	15.1	6	M4 x 14	5	109	14569	107	0.09
T901016	16	30.16	33.34	12	20.5	15.1	6	M4 x 14	5	117	14569	107	0.09
T901019	19	33.34	36.51	12	20.5	15.1	6	M4 x 14	5	138	14569	97	0.09
T901020	20	39.69	44.45	15	25	19.2	6	M5 x 18	10	234	23414	104	0.18
T901022	22	39.69	44.45	15	25	19.2	6	M5 x 18	10	258	23414	104	0.18
T901024	24	42.86	47.62	15	25	19.2	8	M5 x 18	10	375	31219	129	0.18
T901025	25	42.86	47.62	15	25	19.2	8	M5 x 18	10	390	31219	129	0.18
T901028	28	47.62	50.80	17	28	21.06	9	M5 x 18	10	492	35121	115	0.27
T901030	30	49.21	52.39	17	28	21.06	10	M5 x 18	10	585	39024	124	0.27
T901032	32	50.80	53.97	17	28	21.06	10	M5 x 18	10	624	39024	120	0.27
T901035	35	53.98	57.15	17	28	21.06	10	M5 x 18	10	683	39024	113	0.27

Please note not all catalog items shown are stock. Some products are make-to-order (MTO) based on annual demand. Please verify with your customer service representative for current availability of the item desired.

# Power Transmission - B-LOC

B-LOC  
**B103**  
 Inch



TOLERANCE (T<sub>L</sub>)  
 Bore diameter machined to D -0/+T<sub>L</sub>  
 T<sub>L</sub> = .002" for bores up to 4.724"  
 .003" for bores up to 12.008"  
 .004" for bores over 12.008"

d = Shaft diameter machined to d +0/-T<sub>L</sub>

Note: Flange of Series B103 locking assemblies should be located inside of hub bore.

## B103 — Inch

Part Number	d (inch)	D (inch)	L (inch)	L <sub>1</sub> (inch)	L <sub>2</sub> (inch)	Locking Screws		M <sub>a</sub> Install Torque (ft lb)	M <sub>t</sub> Maximum Transmitted Torque (ft lb)	T <sub>h</sub> Thrust (lbs)	P <sub>h</sub> Hub Pressure (psi)	Shipping Weight (lb)
						Qty	Size					
B302012	3/4	1.850	0.669	1.122	0.886	5	M6 x 20	10	247	7918	16959	0.6
T302014	7/8	1.850	0.669	1.122	0.886	5	M6 x 20	10	289	7918	16959	0.6
B302100	1	1.969	0.669	1.122	0.886	6	M6 x 20	10	396	9502	19130	0.7
B302102	1 1/8	2.165	0.669	1.122	0.886	6	M6 x 20	10	445	9502	17391	0.8
B302103	1 3/16	2.165	0.669	1.122	0.886	6	M6 x 20	10	470	9502	17391	0.7
B302104	1 1/4	2.362	0.669	1.122	0.886	8	M6 x 20	10	660	12669	21256	0.9
B302106	1 3/8	2.362	0.669	1.122	0.886	8	M6 x 20	10	726	12669	21256	0.8
B302107	1 7/16	2.559	0.669	1.122	0.886	8	M6 x 20	10	759	12669	19621	1.0
B302108	1 1/2	2.559	0.669	1.122	0.886	8	M6 x 20	10	792	12669	19621	1.0
B302110	1 5/8	2.953	0.787	1.358	1.043	7	M8 x 25	25	1439	21250	24245	1.7
T302111	1 11/16	2.953	0.787	1.358	1.043	7	M8 x 25	25	1494	21250	24245	1.6
B302112	1 3/4	2.953	0.787	1.358	1.043	7	M8 x 25	25	1550	21250	24245	1.6
T302114	1 7/8	3.150	0.787	1.358	1.043	7	M8 x 25	25	1660	21250	22729	1.8
B302115	1 15/16	3.150	0.787	1.358	1.043	7	M8 x 25	25	1716	21250	22729	1.7
B302200	2	3.150	0.787	1.358	1.043	7	M8 x 25	25	1771	21250	22729	1.6
T302202	2 1/8	3.346	0.787	1.358	1.043	8	M8 x 25	25	2150	24286	24448	1.9
B302203	2 3/16	3.346	0.787	1.358	1.043	8	M8 x 25	25	2214	24286	24448	1.8
B302204	2 1/4	3.543	0.787	1.358	1.043	8	M8 x 25	25	2277	24286	23090	2.1
T302206	2 3/8	3.543	0.787	1.358	1.043	8	M8 x 25	25	2403	24286	23090	1.9
B302207	2 7/16	3.740	0.787	1.358	1.043	9	M8 x 25	25	2775	27322	24609	2.2
B302208	2 1/2	3.740	0.787	1.358	1.043	9	M8 x 25	25	2846	27322	24609	2.2
T302209	2 9/16	3.740	0.787	1.358	1.043	9	M8 x 25	25	2917	27322	24609	2.1
T302211	2 11/16	4.331	0.945	1.594	1.201	8	M10 x 30	50	4411	39387	25532	3.8
T302212	2 3/4	4.331	0.945	1.594	1.201	8	M10 x 30	50	4513	39387	25532	3.7
T302214	2 7/8	4.528	0.945	1.594	1.201	8	M10 x 30	50	4718	39387	24422	4.0
B302215	2 15/16	4.528	0.945	1.594	1.201	8	M10 x 30	50	4821	39387	24422	3.9
B302300	3	4.724	0.945	1.594	1.201	8	M10 x 30	50	4923	39387	23404	4.4
T302304	3 1/4	4.921	0.945	1.594	1.201	9	M10 x 30	50	6000	44311	25277	4.5
T302306	3 3/8	4.921	0.945	1.594	1.201	9	M10 x 30	50	6231	44311	25277	4.3
B302307	3 7/16	5.118	0.945	1.594	1.201	9	M10 x 30	50	6347	44311	24305	4.8
T302308	3 1/2	5.118	0.945	1.594	1.201	9	M10 x 30	50	6462	44311	24305	4.6
T302312	3 3/4	5.315	0.945	1.594	1.201	10	M10 x 30	50	7693	49234	26005	4.7
T302315	3 15/16	5.709	1.024	1.772	1.299	8	M12 x 35	90	9944	60608	27512	6
T302400	4	5.709	1.024	1.772	1.299	8	M12 x 35	90	10101	60608	27512	6
T302407	4 7/16	6.102	1.024	1.772	1.299	8	M12 x 35	90	11206	60608	25737	6
T302412	4 3/4	6.496	1.024	1.772	1.299	9	M12 x 35	90	13495	68184	27200	7
T302415	4 15/16	7.087	1.339	2.165	1.614	9	M14 x 40	135	18113	88043	24620	11
B302500	5	7.087	1.339	2.165	1.614	9	M14 x 40	135	18342	88043	24620	11
T302507	5 7/16	7.480	1.339	2.165	1.614	9	M14 x 40	135	19947	88043	23324	12
T302515	5 15/16	7.874	1.339	2.165	1.614	10	M14 x 40	135	24202	97825	24620	12
T302607	6 7/16	8.858	1.732	2.559	2.008	12	M14 x 40	135	31488	117391	20292	20
T302615	6 15/16	9.252	1.732	2.559	2.008	12	M14 x 40	135	33933	117391	19429	20
B302700	7	9.252	1.732	2.559	2.008	12	M14 x 40	135	34239	117391	19429	20
T302707	7 7/16	9.843	1.732	2.559	2.008	15	M14 x 40	135	45474	146738	22829	22
T302715	7 15/16	10.236	1.732	2.559	2.008	15	M14 x 40	135	48531	146738	21951	23
T302800	8	10.236	1.732	2.559	2.008	15	M14 x 40	135	48913	146738	21951	21

Please note not all catalog items shown are stock. Some products are make-to-order (MTO) based on annual demand. Please verify with your customer service representative for current availability of the item desired.

TOLERANCE ( $T_L$ )

Bore diameter machined to  $D - 0/+T_L$   
 $T_L =$  .05mm for bores up to 120mm  
 .08mm for bores up to 305mm  
 .10mm for bores over 305mm

$d =$  Shaft diameter machined to  $d + 0/-T_L$

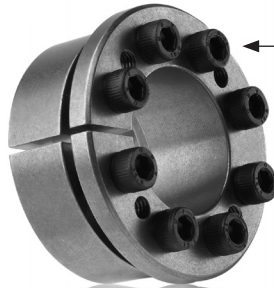
## B103 — Metric

Part Number	d (mm)	D (mm)	L (mm)	L <sub>1</sub> (mm)	L <sub>2</sub> (mm)	Locking Screws		M <sub>a</sub> Install Torque (Nm)	M <sub>t</sub> Maximum Transmitted Torque (Nm)	T <sub>h</sub> Thrust (N)	P <sub>h</sub> Hub Pressure (N/mm <sup>2</sup> )	Shipping Weight (kg)
						Qty	Size					
								T301015	15	32	14	
T301018	18	47	17	28.5	22.5	5	M6 x 20	14	327	36371	121	0.3
T301019	19	47	17	28.5	22.5	5	M6 x 20	14	346	36371	121	0.3
T301020	20	47	17	28.5	22.5	5	M6 x 20	14	364	36371	121	0.3
T301022	22	47	17	28.5	22.5	5	M6 x 20	14	400	36371	121	0.2
T301024	24	50	17	28.5	22.5	6	M6 x 20	14	524	43645	136	0.3
B301025	25	50	17	28.5	22.5	6	M6 x 20	14	546	43645	136	0.3
T301028	28	55	17	28.5	22.5	6	M6 x 20	14	611	43645	124	0.3
B301030	30	55	17	28.5	22.5	6	M6 x 20	14	655	43645	124	0.3
T301032	32	60	17	28.5	22.5	8	M6 x 20	14	931	58193	151	0.4
B301035	35	60	17	28.5	22.5	8	M6 x 20	14	1018	58193	151	0.3
T301038	38	65	17	28.5	22.5	8	M6 x 20	14	1106	58193	140	0.4
B301040	40	65	17	28.5	22.5	8	M6 x 20	14	1164	58193	140	0.4
T301042	42	75	20	34.5	26.5	7	M8 x 25	34	1991	94822	168	0.7
B301045	45	75	20	34.5	26.5	7	M8 x 25	34	2133	94822	168	0.6
B301050	50	80	20	34.5	26.5	7	M8 x 25	34	2371	94822	157	0.7
T301055	55	85	20	34.5	26.5	8	M8 x 25	34	2980	108368	169	0.8
B301060	60	90	20	34.5	26.5	8	M8 x 25	34	3251	108368	160	0.8
T301065	65	95	20	34.5	26.5	9	M8 x 25	34	3962	121914	170	0.9
B301070	70	110	24	40.5	30.5	8	M10 x 30	68	6151	175750	177	1.6
T301075	75	115	24	40.5	30.5	8	M10 x 30	68	6591	175750	169	1.6
T301080	80	120	24	40.5	30.5	8	M10 x 30	68	7030	175750	162	1.7
B301085	85	125	24	40.5	30.5	9	M10 x 30	68	8403	197719	175	1.8
B301090	90	130	24	40.5	30.5	9	M10 x 30	68	8897	197719	168	1.9
T301095	95	135	24	40.5	30.5	10	M10 x 30	68	10435	219688	180	2
B301100	100	145	26	45	33	8	M12 x 35	122	13478	269557	190	3
T301110	110	155	26	45	33	8	M12 x 35	122	14826	269557	177	3
B301120	120	165	26	45	33	9	M12 x 35	122	18195	303251	188	3
T301130	130	180	34	55	41	9	M14 x 40	183	25452	391574	170	5
T301140	140	190	34	55	41	9	M14 x 40	183	27410	391574	161	5
T301150	150	200	34	55	41	10	M14 x 40	183	32631	435082	170	5
T301160	160	210	34	55	41	11	M14 x 40	183	38287	478591	178	6
T301170	170	225	44	65	51	12	M14 x 40	183	44378	522099	140	8
T301180	180	235	44	65	51	12	M14 x 40	183	46989	522099	134	8
T301190	190	250	44	65	51	15	M14 x 40	183	61999	652624	157	9
T301200	200	260	44	65	51	15	M14 x 40	183	65262	652624	151	10
T301220	220	285	50	73	57	12	M16 x 45	297	82145	746770	139	13
T301240	240	305	50	73	57	15	M16 x 45	297	112016	933463	162	14
T301260	260	325	50	73	57	18	M16 x 45	297	145620	1120155	183	15
T301280	280	355	60	85	67	16	M18 x 50	393	163726	1169473	146	23
T301300	300	375	60	85	67	18	M18 x 50	393	197349	1315657	155	24
T301320	320	405	74	102	82	18	M20 x 50	569	274346	1714665	152	34
T301340	340	425	74	102	82	21	M20 x 50	569	340075	2000443	169	36
T301360	360	455	86	116	94	18	M22 x 60	759	377769	2098718	142	49
T301380	380	475	86	116	94	21	M22 x 60	759	465216	2448505	159	52
T301400	400	495	86	116	94	21	M22 x 60	759	489701	2448505	153	55

Please note not all catalog items shown are stock. Some products are make-to-order (MTO) based on annual demand. Please verify with your customer service representative for current availability of the item desired.

# Power Transmission - B-LOC

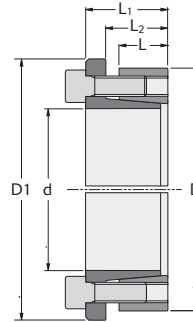
B-LOC  
**B106**  
 Inch



Locking screws transfer to integrated push-off holes for disassembly.

Metric socket head locking screws ISO 4762 grade 12.9 (See  $M_a$  for install torque).

Screw head height = screw diameter (mm)



TOLERANCE ( $T_L$ )

Bore dia. machined to  $D -0/+T_L$   
 $T_L = .002"$  for bores up to 4.724"  
 $.003"$  for bores up to 12.008"  
 $.004"$  for bores over 12.008"

$d =$  Shaft diameter machined to  $d +0/-T_L$

## B106 — Inch

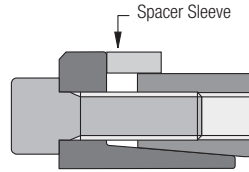
Part Number	d (inch)	D (inch)	D <sub>1</sub> (inch)	L (inch)	L <sub>1</sub> (inch)	L <sub>2</sub> (inch)	Locking Screws		M <sub>a</sub> Install Torque (ft lb)	M <sub>t</sub> Maximum Transmitted Torque (ft lb)	Th Thrust (lbs)	P <sub>h</sub> Hub Pressure (psi)	Shipping Weight (lb)
							Qty	Size					
T602010	5/8	1.260	1.457	0.551	0.846	0.709	4	M4 x 12	3.5	55	2096	8007	0.6
B602012	3/4	1.850	2.047	0.669	1.122	0.886	5	M6 x 20	12	187	5997	12845	0.6
B602014	7/8	1.850	2.047	0.669	1.122	0.886	5	M6 x 20	12	219	5997	12845	0.7
T602015	15/16	1.969	2.224	0.669	1.122	0.886	6	M6 x 20	12	281	7196	14489	0.6
B602100	1	1.969	2.224	0.669	1.122	0.886	6	M6 x 20	12	300	7196	14489	0.7
B602102	1 1/8	2.165	2.421	0.669	1.122	0.886	6	M6 x 20	12	337	7196	13172	0.8
B602103	1 3/16	2.165	2.421	0.669	1.122	0.886	6	M6 x 20	12	356	7196	13172	0.7
B602104	1 1/4	2.362	2.618	0.669	1.122	0.886	8	M6 x 20	12	500	9595	16099	0.9
B602106	1 3/8	2.362	2.618	0.669	1.122	0.886	8	M6 x 20	12	550	9595	16099	0.8
B602107	1 7/16	2.559	2.815	0.669	1.122	0.886	8	M6 x 20	12	575	9595	14860	1.0
B602108	1 1/2	2.559	2.815	0.669	1.122	0.886	8	M6 x 20	12	600	9595	14860	1.0
B602110	1 5/8	2.953	3.287	0.787	1.358	1.043	7	M8 x 25	30	1090	16094	18362	1.7
B602111	1 11/16	2.953	3.287	0.787	1.358	1.043	7	M8 x 25	30	1132	16094	18362	1.6
B602112	1 3/4	2.953	3.287	0.787	1.358	1.043	7	M8 x 25	30	1174	16094	18362	1.6
B602114	1 7/8	3.150	3.484	0.787	1.358	1.043	7	M8 x 25	30	1257	16094	17214	1.8
B602115	1 15/16	3.150	3.484	0.787	1.358	1.043	7	M8 x 25	30	1299	16094	17214	1.7
B602200	2	3.150	3.484	0.787	1.358	1.043	7	M8 x 25	30	1341	16094	17214	1.6
T602202	2 1/8	3.346	3.681	0.787	1.358	1.043	8	M8 x 25	30	1629	18393	18516	1.9
B602203	2 3/16	3.346	3.681	0.787	1.358	1.043	8	M8 x 25	30	1676	18393	18516	1.8
B602204	2 1/4	3.543	3.898	0.787	1.358	1.043	8	M8 x 25	30	1724	18393	17487	2.1
B602206	2 3/8	3.543	3.898	0.787	1.358	1.043	8	M8 x 25	30	1820	18393	17487	1.9
B602207	2 7/16	3.740	4.016	0.787	1.358	1.043	9	M8 x 25	30	2102	20693	18638	2.2
B602208	2 1/2	3.740	4.016	0.787	1.358	1.043	9	M8 x 25	30	2155	20693	18638	2.2
T602209	2 9/16	3.740	4.016	0.787	1.358	1.043	9	M8 x 25	30	2209	20693	18638	2.1
T602211	2 11/16	4.331	4.685	0.945	1.594	1.201	8	M10 x 30	60	3340	29831	19337	3.8
B602212	2 3/4	4.331	4.685	0.945	1.594	1.201	8	M10 x 30	60	3418	29831	19337	3.7
B602214	2 7/8	4.528	4.882	0.945	1.594	1.201	8	M10 x 30	60	3573	29831	18496	4.0
B602215	2 15/16	4.528	4.882	0.945	1.594	1.201	8	M10 x 30	60	3651	29831	18496	3.9
B602300	3	4.724	5.079	0.945	1.594	1.201	8	M10 x 30	60	3729	29831	17726	4.4
B602304	3 1/4	4.921	5.276	0.945	1.594	1.201	9	M10 x 30	60	4545	33559	19144	4.5
T602306	3 3/8	4.921	5.276	0.945	1.594	1.201	9	M10 x 30	60	4719	33559	19144	4.3
B602307	3 7/16	5.118	5.472	0.945	1.594	1.201	9	M10 x 30	60	4807	33559	18408	4.8
B602308	3 1/2	5.118	5.472	0.945	1.594	1.201	9	M10 x 30	60	4894	33559	18408	4.6
T602312	3 3/4	5.315	5.669	0.945	1.594	1.201	10	M10 x 30	60	5826	37288	19695	4.7
T602315	3 15/16	5.709	6.063	1.024	1.772	1.299	8	M12 x 35	105	7322	44627	20258	6
B602400	4	5.709	6.063	1.024	1.772	1.299	8	M12 x 35	105	7438	44627	20258	6
B602407	4 7/16	6.102	6.457	1.024	1.772	1.299	8	M12 x 35	105	8251	44627	18951	6
T602412	4 3/4	6.496	6.850	1.024	1.772	1.299	9	M12 x 35	105	9936	50205	20028	7
B602415	4 15/16	7.087	7.441	1.339	2.165	1.614	9	M14 x 40	166	14057	68327	19106	11
T602500	5	7.087	7.441	1.339	2.165	1.614	9	M14 x 40	166	14235	68327	19106	11
B602507	5 7/16	7.480	7.835	1.339	2.165	1.614	9	M14 x 40	166	15480	68327	18101	12
B602515	5 15/16	7.874	8.228	1.339	2.165	1.614	10	M14 x 40	166	18782	75918	19106	12
B602607	6 7/16	8.858	9.213	1.732	2.559	2.008	12	M14 x 40	166	24436	91102	15748	20
T602615	6 15/16	9.252	9.606	1.732	2.559	2.008	12	M14 x 40	166	26334	91102	15078	20
B602700	7	9.252	9.606	1.732	2.559	2.008	12	M14 x 40	166	26571	91102	15078	20
B602707	7 7/16	9.843	10.197	1.732	2.559	2.008	15	M14 x 40	166	35290	113878	17717	22
T602715	7 15/16	10.236	10.591	1.732	2.559	2.008	15	M14 x 40	166	37663	113878	17035	23
T602800	8	10.236	10.591	1.732	2.559	2.008	15	M14 x 40	166	37959	113878	17035	21

Please note not all catalog items shown are stock. Some products are make-to-order (MTO) based on annual demand. Please verify with your customer service representative for current availability of the item desired.

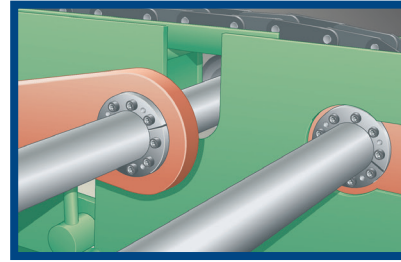
TOLERANCE ( $T_L$ )

Bore diameter machined to  $D - 0/-T_L$   
 $T_L =$  .05mm for bores up to 120mm  
 .08mm for bores up to 305mm  
 .10mm for bores over 305mm

$d =$  Shaft diameter machined to  $d + 0/-T_L$



Note: Series B106 also available with optional integrated spacer sleeve (ideal for very narrow drive elements). Spacers are 0.275" wide for B106 sizes with  $D = 2.559"$  (65mm) and smaller, and 0.315" wide for all others.



B-LOC  
**B106**  
 Metric

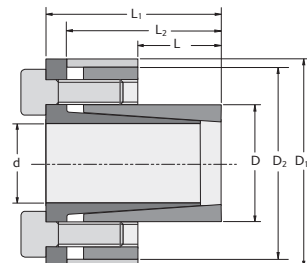
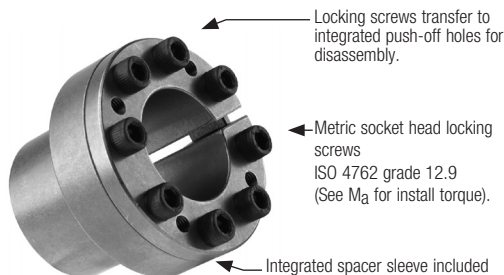
## B106 — Metric

Part Number	d (mm)	D (mm)	D <sub>1</sub> (mm)	L (mm)	L <sub>1</sub> (mm)	L <sub>2</sub> (mm)	Locking Screws		M <sub>a</sub> Install Torque (Nm)	M <sub>t</sub> Maximum Transmitted Torque (Nm)	T <sub>h</sub> Thrust (N)	P <sub>h</sub> Hub Pressure (N/mm <sup>2</sup> )	Shipping Weight (kg)
							Qty	Size					
							T601014	14	28	32	14	20.5	
T601015	15	28	32	14	20.5	17	4	M4 x 12	5	73	9713	66	0.1
T601018	18	47	52	17	28.5	22.5	5	M6 x 20	16	236	26234	87	0.3
T601019	19	47	52	17	28.5	22.5	5	M6 x 20	16	249	26234	87	0.3
T601020	20	47	52	17	28.5	22.5	5	M6 x 20	16	262	26234	87	0.3
B601022	22	47	52	17	28.5	22.5	5	M6 x 20	16	289	26234	87	0.3
T601024	24	50	56.5	17	28.5	22.5	6	M6 x 20	16	378	31481	98	0.3
B601025	25	50	56.5	17	28.5	22.5	6	M6 x 20	16	394	31481	98	0.3
B601028	28	55	61.5	17	28.5	22.5	6	M6 x 20	16	441	31481	89	0.4
B601030	30	55	61.5	17	28.5	22.5	6	M6 x 20	16	472	31481	89	0.3
T601032	32	60	66.5	17	28.5	22.5	8	M6 x 20	16	672	41975	109	0.4
B601035	35	60	66.5	17	28.5	22.5	8	M6 x 20	16	735	41975	109	0.4
T601038	38	65	71.5	17	28.5	22.5	8	M6 x 20	16	798	41975	101	0.5
B601040	40	65	71.5	17	28.5	22.5	8	M6 x 20	16	839	41975	101	0.5
T601042	42	75	83.5	20	34.5	26.5	7	M8 x 25	41	1515	72167	128	0.8
B601045	45	75	83.5	20	34.5	26.5	7	M8 x 25	41	1624	72167	128	0.7
T601048	48	80	88.5	20	34.5	26.5	7	M8 x 25	41	1732	72167	120	0.8
B601050	50	80	88.5	20	34.5	26.5	7	M8 x 25	41	1804	72167	120	0.8
B601055	55	85	93.5	20	34.5	26.5	8	M8 x 25	41	2268	82476	129	0.8
B601060	60	90	98	20	34.5	26.5	8	M8 x 25	41	2474	82476	122	0.9
T601063	63	95	102	20	34.5	26.5	9	M8 x 25	41	2923	92786	130	0.9
T601065	65	95	102	20	34.5	26.5	9	M8 x 25	41	3016	92786	130	0.9
T601070	70	110	119	24	40.5	30.5	8	M10 x 30	81	4624	132127	133	1.7
B601075	75	115	124	24	40.5	30.5	8	M10 x 30	81	4955	132127	127	1.8
B601080	80	120	129	24	40.5	30.5	8	M10 x 30	81	5285	132127	122	1.9
T601085	85	125	134	24	40.5	30.5	9	M10 x 30	81	6317	148643	131	2
B601090	90	130	139	24	40.5	30.5	9	M10 x 30	81	6689	148643	126	2
T601095	95	135	144	24	40.5	30.5	10	M10 x 30	81	7845	165159	135	2
B601100	100	145	154	26	45	33	8	M12 x 35	142	9901	198016	139	3
B601110	110	155	164	26	45	33	8	M12 x 35	142	10891	198016	130	3
B601120	120	165	174	26	45	33	9	M12 x 35	142	13366	222768	138	3
T601130	130	180	189	34	55	41	9	M14 x 40	225	19751	303855	132	5
B601140	140	190	199	34	55	41	9	M14 x 40	225	21270	303855	125	5
T601150	150	200	209	34	55	41	10	M14 x 40	225	25321	337617	132	6
B601160	160	210	219	34	55	41	11	M14 x 40	225	29710	371379	138	6
B601170	170	225	234	44	65	51	12	M14 x 40	225	34437	405140	109	8
B601180	180	235	244	44	65	51	12	M14 x 40	225	36463	405140	104	9
T601190	190	250	259	44	65	51	15	M14 x 40	225	48110	506425	122	10
B601200	200	260	269	44	65	51	15	M14 x 40	225	50643	506425	117	10
T601220	220	285	294	50	73	57	12	M16 x 45	348	60747	552244	103	14
T601240	240	305	314	50	73	57	15	M16 x 45	348	82837	690305	120	15
T601260	260	325	334	50	73	57	18	M16 x 45	348	107688	828366	135	16
T601280	280	355	364	60	85	67	16	M18 x 50	475	124894	892098	111	23
T601300	300	375	384	60	85	67	18	M18 x 50	475	150542	1003610	118	25
T601320	320	405	414	74	102	82	18	M20 x 50	678	206318	1289490	114	35
T601340	340	425	434	74	102	82	21	M20 x 50	678	255749	1504405	127	37
T601360	360	455	464	86	116	94	18	M22 x 60	915	287427	1596815	108	51
T601380	380	475	484	86	116	94	21	M22 x 60	915	353961	1862951	121	53
T601400	400	495	504	86	116	94	21	M22 x 60	915	372590	1862951	116	57

Please note not all catalog items shown are stock. Some products are make-to-order (MTO) based on annual demand. Please verify with your customer service representative for current availability of the item desired.

# Power Transmission - B-LOC

## B-LOC B800 Inch



TOLERANCE ( $T_L$ )  
 Bore diameter machined to  $D - 0/+T_L$   
 $T_L = .002"$  for bores up to 2.559"  
 $.003"$  for bores over 2.559"  
 $d =$  Shaft diameter machined to  $d + 0/-T_L$ .

Screw head height = screw diameter (mm)

## B800 — Inch

Part Number	d (inch)	D (inch)	D <sub>1</sub> (inch)	D <sub>2</sub> (inch)	L (inch)	L <sub>1</sub> (inch)	L <sub>2</sub> (inch)	Locking Screws		Ma Install Torque (ft lb)	Mt Torque (ft lb)	Th Thrust (lbs)	Ph Hub Pressure (psi)	Shipping Weight (lb)
								Qty	Size					
								Maximum Transmitted						
B802004	1/4	0.551	0.984	0.906	0.394	0.866	0.748	3	M4 x 10	3.5	16	1572	19217	0.2
B802005	5/16	0.591	1.063	0.945	0.472	0.984	0.866	3	M4 x 10	3.5	20	1572	14947	0.3
B802006	3/8	0.630	1.142	1.024	0.551	1.063	0.945	4	M4 x 10	3.5	33	2096	16014	0.4
T82007	7/16	0.709	1.260	1.102	0.551	1.083	0.945	4	M4 x 10	3.5	38	2096	14235	0.5
B802008	1/2	0.906	1.496	1.299	0.551	1.083	0.945	4	M4 x 10	3.5	44	2096	11140	0.5
B802010	5/8	0.945	1.732	1.575	0.630	1.437	1.161	3	M6 x 16	12	94	3598	16036	0.6
B802012	3/4	1.063	1.929	1.693	0.709	1.555	1.280	4	M6 x 16	12	150	4798	16893	0.7
T82014	7/8	1.260	2.126	1.890	0.984	1.850	1.575	4	M6 x 16	12	175	4798	10263	0.8
B802015	15/16	1.339	2.205	1.969	0.984	1.850	1.575	6	M6 x 16	12	281	7196	14489	0.9
B802100	1	1.339	2.205	1.969	0.984	1.850	1.575	6	M6 x 16	12	300	7196	14489	0.9
B802102	1 1/8	1.535	2.402	2.165	0.984	1.850	1.575	6	M6 x 16	12	337	7196	12631	1.0
T82103	1 3/16	1.614	2.441	2.244	0.984	1.850	1.575	6	M6 x 16	12	356	7196	12015	1.1
B802104	1 1/4	1.693	2.559	2.323	0.984	1.850	1.575	8	M6 x 16	12	500	9595	15275	1.2
T82106	1 3/8	1.850	2.677	2.441	1.260	2.126	1.850	8	M6 x 18	12	550	9595	10918	1.4
B802107	1 7/16	1.969	2.835	2.598	1.260	2.126	1.850	8	M6 x 18	12	575	9595	10263	1.5
B802108	1 1/2	1.969	2.835	2.598	1.260	2.126	1.850	8	M6 x 18	12	600	9595	10263	1.5
B802110	1 5/8	2.165	3.071	2.795	1.260	2.126	1.850	8	M6 x 18	12	650	9595	9330	1.7
T82111	1 11/16	2.323	3.386	3.150	1.772	2.756	2.441	8	M8 x 22	30	1293	18393	11856	2.7
T82112	1 3/4	2.323	3.386	3.150	1.772	2.756	2.441	8	M8 x 22	30	1341	18393	11856	2.7
T82114	1 7/8	2.441	3.425	3.189	1.772	2.756	2.441	8	M8 x 22	30	1437	18393	11282	2.7
T82115	1 15/16	2.559	3.622	3.386	1.772	2.756	2.441	8	M8 x 22	30	1485	18393	10762	3.1
B802200	2	2.795	3.858	3.622	2.165	3.189	2.874	9	M8 x 22	30	1724	20693	9068	3.8
T82202	2 1/8	2.795	3.858	3.622	2.165	3.189	2.874	9	M8 x 22	30	1832	20693	9068	3.8
T82203	2 3/16	3.031	4.094	3.858	2.165	3.189	2.874	9	M8 x 22	30	1886	20693	8362	4.2
T82206	2 3/8	3.031	4.094	3.858	2.165	3.189	2.874	9	M8 x 22	30	2048	20693	8362	4.2
B802207	2 7/16	3.307	4.370	4.134	2.165	3.189	2.874	9	M8 x 22	30	2102	20693	7665	4.9
B802208	2 1/2	3.307	4.370	4.134	2.165	3.189	2.874	9	M8 x 22	30	2155	20693	7665	4.9
T82210	2 5/8	3.543	4.685	4.449	2.559	3.780	3.386	9	M10 x 25	60	3671	33559	9817	7
T82212	2 3/4	3.543	4.685	4.449	2.559	3.780	3.386	9	M10 x 25	60	3845	33559	9817	7
T82214	2 7/8	3.740	4.961	4.685	2.559	3.780	3.386	9	M10 x 25	60	4020	33559	9301	7
T82215	2 15/16	3.740	4.961	4.685	2.559	3.780	3.386	9	M10 x 25	60	4108	33559	9301	7
B802300	3	3.740	4.961	4.685	2.559	3.780	3.386	9	M10 x 25	60	4195	33559	9301	7
T82302	3 1/8	3.937	5.157	4.921	2.559	3.780	3.386	12	M10 x 25	60	5826	44746	11781	8
T82304	3 1/4	4.173	5.394	5.157	2.559	3.780	3.386	12	M10 x 25	60	6059	44746	11114	8
T82306	3 3/8	4.173	5.394	5.157	2.559	3.780	3.386	12	M10 x 25	60	6292	44746	11114	8
T82307	3 7/16	4.409	5.669	5.394	2.559	3.780	3.386	12	M10 x 25	60	6409	44746	10519	9
T82308	3 1/2	4.409	5.669	5.394	2.559	3.780	3.386	12	M10 x 25	60	6525	44746	10519	9
T82310	3 5/8	4.409	5.669	5.394	2.559	3.780	3.386	12	M10 x 25	60	6758	44746	10519	9
T82312	3 3/4	4.724	5.866	5.591	2.559	3.780	3.386	14	M10 x 25	60	8157	52204	11454	10
T82314	3 7/8	4.921	6.299	6.024	2.756	4.213	3.701	12	M12 x 30	105	10808	66940	13092	12
B802315	3 15/16	4.921	6.299	6.024	2.756	4.213	3.701	12	M12 x 30	105	10982	66940	13092	12
B802400	4	4.921	6.299	6.024	2.756	4.213	3.701	12	M12 x 30	105	11157	66940	13092	12
T82404	4 1/4	5.512	6.850	6.614	2.756	4.213	3.701	12	M12 x 30	105	11854	66940	11690	15
T82406	4 3/8	5.512	6.850	6.614	2.756	4.213	3.701	12	M12 x 30	105	12203	66940	11690	15
T82407	4 7/16	6.102	7.795	7.362	3.543	5.039	4.528	16	M12 x 30	105	16503	89254	10949	21
T82408	4 1/2	6.102	7.795	7.362	3.543	5.039	4.528	16	M12 x 30	105	16735	89254	10949	21
T82412	4 3/4	6.102	7.795	7.362	3.543	5.039	4.528	16	M12 x 30	105	17665	89254	10949	21
T82415	4 15/16	6.496	8.189	7.756	3.543	5.039	4.528	16	M12 x 30	105	18362	89254	10286	23

Please note not all catalog items shown are stock. Some products are make-to-order (MTO) based on annual demand. Please verify with your customer service representative for current availability of the item desired.

**B800****Metric**TOLERANCE ( $T_L$ )

Bore diameter machined to  $D - 0/+T_L$   
 $T_L = .05\text{mm}$  for bores up to 65mm  
 $.08\text{mm}$  for bores over 65mm

$d =$  Shaft diameter machined to  $d + 0/-T_L$ .

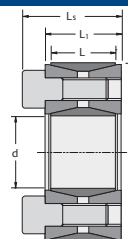
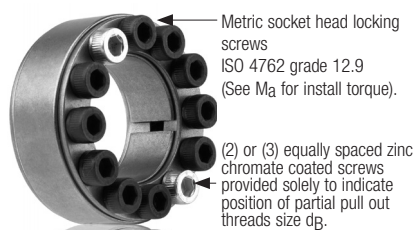
**B800 — Metric**

Part Number	d (mm)	D (mm)	D <sub>1</sub> (mm)	D <sub>2</sub> (mm)	L (mm)	L <sub>1</sub> (mm)	L <sub>2</sub> (mm)	Locking Screws		M <sub>a</sub> Install Torque (Nm)	M <sub>t</sub> Maximum Transmitted Torque (Nm)	T <sub>h</sub> Thrust (N)	P <sub>h</sub> Hub Pressure (N/mm <sup>2</sup> )	Shipping Weight (kg)
								Qty	Size					
										T8006	6	14	25	
T8007	7	15	27	24	12	25	22	3	M4 x 10	5	25	7285	107	0.1
T8008	8	15	27	24	12	25	22	3	M4 x 10	5	29	7285	107	0.1
T8009	9	16	29	26	14	27	24	4	M4 x 10	5	44	9713	115	0.1
B801010	10	16	29	26	14	27	24	4	M4 x 10	5	49	9713	115	0.1
T8011	11	18	32	28	14	28	24	4	M4 x 10	5	53	9713	102	0.1
T8012	12	18	32	28	14	28	24	4	M4 x 10	5	58	9713	102	0.1
B801014	14	23	38	33	14	28	24	4	M4 x 10	5	68	9713	80	0.1
T8015	15	24	44	40	16	37	30	3	M6 x 16	16	118	15740	109	0.2
B801016	16	24	44	40	16	37	30	3	M6 x 16	16	126	15740	109	0.2
B801018	18	26	47	42	18	40	33	4	M6 x 16	16	189	20987	119	0.3
B801019	19	27	49	43	18	40	33	4	M6 x 16	16	199	20987	115	0.3
B801020	20	28	50	44	18	40	33	4	M6 x 16	16	210	20987	110	0.3
B801022	22	32	54	48	25	47	40	4	M6 x 16	16	231	20987	70	0.4
B801024	24	34	56	50	25	47	40	6	M6 x 16	16	378	31481	98	0.4
B801025	25	34	56	50	25	47	40	6	M6 x 16	16	394	31481	98	0.4
T8028	28	39	61	55	25	47	40	6	M6 x 16	16	441	31481	86	0.4
B801030	30	41	62	57	25	47	40	6	M6 x 16	16	472	31481	81	0.4
B801032	32	43	65	59	25	47	40	8	M6 x 16	16	672	41975	104	0.5
T8035	35	47	68	62	32	54	47	8	M6 x 18	16	735	41975	74	0.5
B801038	38	50	72	66	32	54	47	8	M6 x 18	16	798	41975	70	0.6
B801040	40	53	75	69	32	54	47	8	M6 x 18	16	839	41975	66	0.7
T8042	42	55	78	71	32	54	47	8	M6 x 18	16	881	41975	63	0.7
T8045	45	59	86	80	45	70	62	8	M8 x 22	41	1856	82476	82	1.1
T8048	48	62	87	81	45	70	62	8	M8 x 22	41	1979	82476	78	1.1
T8050	50	65	92	86	45	70	62	8	M8 x 22	41	2062	82476	75	1.3
T8055	55	71	98	92	55	81	73	9	M8 x 22	41	2552	92786	63	1.6
T8060	60	77	104	98	55	81	73	9	M8 x 22	41	2783	92786	58	1.8
T8065	65	84	111	105	55	81	73	9	M8 x 22	41	3015	92786	53	2
T8070	70	90	119	113	65	96	86	9	M10 x 25	81	5203	148643	67	3
T8075	75	95	126	119	65	96	86	9	M10 x 25	81	5575	148643	64	3
T8080	80	100	131	125	65	96	86	12	M10 x 25	81	7928	198191	81	3
T8085	85	106	137	131	65	96	86	12	M10 x 25	81	8423	198191	76	4
B801090	90	112	144	137	65	96	86	12	M10 x 25	81	8919	198191	72	4
T8095	95	120	149	142	65	96	86	14	M10 x 25	81	10983	231223	79	4
T8100	100	125	160	153	70	107	94	12	M12 x 30	142	14851	297024	90	6
T8110	110	140	174	168	70	107	94	12	M12 x 30	142	16336	297024	80	7
T8120	120	155	198	187	90	128	115	16	M12 x 30	142	23762	396032	75	10
T8130	130	165	208	197	90	128	115	16	M12 x 30	142	25742	396032	71	11

Please note not all catalog items shown are stock. Some products are make-to-order (MTO) based on annual demand. Please verify with your customer service representative for current availability of the item desired.

# Power Transmission - B-LOC

B-LOC  
**B400**  
Inch



TOLERANCE ( $T_L$ )

Bore diameter machined to  $D - 0/-T_L$   
 $T_L =$  .002" for bores up to 1.969"  
 .003" for bores up to 4.724"  
 .004" for bores up to 9.252"  
 .005" for bores up to 14.764"  
 .006" for bores over 14.764"

$d =$  Shaft diameter machined to  $d + 0/-T_L$

**B400 — Inch**

Part Number	d (inch)	D (inch)	L (inch)	L <sub>1</sub> (inch)	L <sub>s</sub> (inch)	Locking Screws		M <sub>a</sub> Install Torque (ft lb)	d <sub>B</sub>	M <sub>t</sub> Maximum Transmitted		P <sub>h</sub> Hub Pressure (psi)	Shipping Weight (lb)
						Qty	Size			Torque (ft lb)	Thrust (lbs)		
B402012	3/4	1.850	0.669	0.787	1.024	8	M6 x 18	11	M8	234	7501	16067	0.5
B402014	7/8	1.850	0.669	0.787	1.024	8	M6 x 18	11	M8	273	7501	16067	0.5
B402100	1	1.969	0.669	0.787	1.024	9	M6 x 18	11	M8	352	8439	16991	0.5
B402102	1 1/8	2.165	0.669	0.787	1.024	10	M6 x 18	11	M8	440	9377	17162	0.6
T402103	1 3/16	2.159	0.669	0.787	1.024	10	M6 x 18	11	M8	464	9377	17212	0.6
B402104	1 1/4	2.362	0.669	0.787	1.024	12	M6 x 18	11	M8	586	11252	18880	0.7
T402106	1 3/8	2.365	0.669	0.787	1.024	12	M6 x 18	11	M8	645	11252	18856	0.6
B402107	1 7/16	2.559	0.669	0.787	1.024	14	M6 x 18	11	M8	786	13127	20331	0.8
B402108	1 1/2	2.559	0.669	0.787	1.024	14	M6 x 18	11	M8	820	13127	20331	0.7
B402110	1 5/8	2.953	0.787	0.945	1.260	12	M8 x 22	26	M10	1381	20393	23267	1.3
B402111	1 11/16	2.953	0.787	0.945	1.260	12	M8 x 22	26	M10	1434	20393	23267	1.2
B402112	1 3/4	2.953	0.787	0.945	1.260	12	M8 x 22	26	M10	1487	20393	23267	1.2
B402114	1 7/8	3.150	0.787	0.945	1.260	12	M8 x 22	26	M10	1593	20393	21812	1.3
B402115	1 15/16	3.150	0.787	0.945	1.260	12	M8 x 22	26	M10	1646	20393	21812	1.3
B402200	2	3.346	0.787	0.945	1.260	14	M8 x 22	26	M10	1983	23792	23951	1.5
B402202	2 1/8	3.346	0.787	0.945	1.260	14	M8 x 22	26	M10	2107	23792	23951	1.4
B402203	2 3/16	3.543	0.787	0.945	1.260	14	M8 x 22	26	M10	2169	23792	22622	1.6
B402204	2 1/4	3.543	0.787	0.945	1.260	14	M8 x 22	26	M10	2231	23792	22620	1.5
T402206	2 3/8	3.531	0.787	0.945	1.260	14	M8 x 22	26	M10	2354	23792	22699	1.4
B402207	2 7/16	3.740	0.787	0.945	1.260	16	M8 x 22	26	M10	2762	27191	24491	1.6
B402208	2 1/2	3.740	0.787	0.945	1.260	16	M8 x 22	26	M10	2832	27191	24491	1.6
T402209	2 9/16	3.737	0.787	0.945	1.260	16	M8 x 22	26	M10	2903	27191	24512	1.5
B402210	2 5/8	4.331	0.945	1.102	1.496	14	M10 x 25	51	M12	4139	37844	24532	2.8
B402211	2 11/16	4.331	0.945	1.102	1.496	14	M10 x 25	51	M12	4238	37844	24532	2.8
T402212	2 3/4	4.337	0.945	1.102	1.496	14	M10 x 25	51	M12	4336	37844	24496	2.7
T402214	2 7/8	4.528	0.945	1.102	1.496	14	M10 x 25	51	M12	4533	37844	23465	2.9
B402215	2 15/16	4.528	0.945	1.102	1.496	14	M10 x 25	51	M12	4632	37844	23465	2.8
B402300	3	4.724	0.945	1.102	1.496	14	M10 x 25	51	M12	4730	37844	22487	3.2
B402302	3 1/8	4.724	0.945	1.102	1.496	14	M10 x 25	51	M12	4928	37844	22487	3.0
T402304	3 1/4	4.921	0.945	1.102	1.496	16	M10 x 25	51	M12	5857	43250	24672	3.3
B402306	3 3/8	4.921	0.945	1.102	1.496	16	M10 x 25	51	M12	6082	43250	24672	3.1
B402307	3 7/16	5.118	0.945	1.102	1.496	16	M10 x 25	51	M12	6195	43250	23723	3.4
B402308	3 1/2	5.118	0.945	1.102	1.496	16	M10 x 25	51	M12	6307	43250	23723	3.4
T402312	3 3/4	5.305	0.945	1.102	1.496	18	M10 x 25	51	M12	7603	48656	25748	3.5
T402314	3 7/8	5.709	1.024	1.299	1.772	14	M12 x 30	91	M14	9320	57726	26204	4.8
T402315	3 15/16	5.709	1.024	1.299	1.772	14	M12 x 30	91	M14	9471	57726	26204	4.7
B402400	4	5.843	1.024	1.299	1.772	14	M12 x 30	91	M14	9621	57726	25602	5
T402403	4 3/16	6.102	1.024	1.299	1.772	14	M12 x 30	91	M14	10072	57726	24513	6
B402407	4 7/16	6.496	1.024	1.299	1.772	16	M12 x 30	91	M14	12198	65972	26317	6
B402408	4 1/2	6.496	1.024	1.299	1.772	16	M12 x 30	91	M14	12370	65972	26317	6
B402415	4 15/16	7.087	1.339	1.496	1.969	20	M12 x 35	91	M14	16966	82466	23060	8
T402500	5	7.087	1.339	1.496	1.969	20	M12 x 35	91	M14	17180	82466	23060	8
B402507	5 7/16	7.480	1.339	1.496	1.969	22	M12 x 35	91	M14	20552	90712	24031	9
T402508	5 1/2	7.492	1.339	1.496	1.969	22	M12 x 35	91	M14	20788	90712	23993	8
B402600	6	8.268	1.339	1.496	1.969	26	M12 x 35	91	M14	26801	107205	25695	10
T402607	6 7/16	8.858	1.496	1.732	2.283	22	M14 x 40	138	M16	31764	118419	23702	14
B402608	6 1/2	8.858	1.496	1.732	2.283	22	M14 x 40	138	M16	32072	118419	23702	13
B402615	6 15/16	9.252	1.496	1.732	2.283	24	M14 x 40	138	M16	37343	129185	24757	14
B402700	7	9.252	1.496	1.732	2.283	24	M14 x 40	138	M16	37679	129185	24757	14
T402708	7 1/2	9.823	1.811	2.047	2.598	28	M14 x 45	138	M16	47099	150716	22473	18
T402714	7 7/8	10.236	1.811	2.047	2.598	30	M14 x 45	138	M16	52986	161481	23106	19
T402715	7 15/16	10.504	1.811	2.047	2.598	30	M14 x 45	138	M16	53407	161481	22517	19
T402800	8	10.504	1.811	2.047	2.598	30	M14 x 45	138	M16	53827	161481	22517	19

Please note not all catalog items shown are stock. Some products are make-to-order (MTO) based on annual demand. Please verify with your customer service representative for current availability of the item desired.

# B400

## Metric

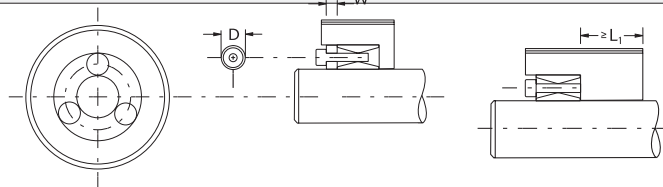
TOLERANCE (T<sub>L</sub>) Bore diameter machined to D -0/+T<sub>L</sub> .15mm for bores over 375mm  
 T<sub>L</sub> = .05mm for bores up to 50mm  
 .08mm for bores up to 120mm  
 .10mm for bores up to 235mm  
 .13mm for bores up to 375mm  
 d = Shaft diameter machined to d +0/-T<sub>L</sub>

### B400 — Metric

Part Number	d (mm)	D (mm)	L (mm)	L <sub>1</sub> (mm)	L <sub>s</sub> (mm)	Locking Screws		Ma	d <sub>B</sub>	Maximum Transmitted		P <sub>h</sub> Hub Pressure (N/mm <sup>2</sup> )	Shipping Weight (kg)
						Qty	Size			Install Torque (Nm)	Torque (Nm)		
T401018	18	47	17	20	26	8	M6 x 18	15	M8	302	33561	111	0.2
T401019	19	47	17	20	26	8	M6 x 18	15	M8	319	33561	111	0.2
B401020	20	47	17	20	26	8	M6 x 18	15	M8	335	33561	111	0.2
T401022	22	47	17	20	26	8	M6 x 18	15	M8	369	33561	111	0.2
B401024	24	50	17	20	26	9	M6 x 18	15	M8	453	37756	118	0.2
B401025	25	50	17	20	26	9	M6 x 18	15	M8	472	37756	118	0.2
B401028	28	55	17	20	26	10	M6 x 18	15	M8	587	41952	119	0.3
B401030	30	55	17	20	26	10	M6 x 18	15	M8	629	41952	119	0.3
B401032	32	60	17	20	26	12	M6 x 18	15	M8	806	50342	131	0.3
B401035	35	60	17	20	26	12	M6 x 18	15	M8	881	50342	131	0.3
B401038	38	65	17	20	26	14	M6 x 18	15	M8	1116	58732	141	0.3
B401040	40	65	17	20	26	14	M6 x 18	15	M8	1175	58732	141	0.3
B401042	42	75	20	24	32	12	M8 x 22	35	M10	1892	90071	159	0.6
B401045	45	75	20	24	32	12	M8 x 22	35	M10	2027	90071	159	0.5
T401048	48	80	20	24	32	12	M8 x 22	35	M10	2162	90071	149	0.6
B401050	50	80	20	24	32	12	M8 x 22	35	M10	2252	90071	149	0.6
B401055	55	85	20	24	32	14	M8 x 22	35	M10	2889	105083	164	0.6
B401060	60	90	20	24	32	14	M8 x 22	35	M10	3152	105083	155	0.7
B401065	65	95	20	24	32	16	M8 x 22	35	M10	3903	120095	168	0.7
B401070	70	110	24	28	38	14	M10 x 25	69	M12	5880	167988	169	1.2
B401075	75	115	24	28	38	14	M10 x 25	69	M12	6300	167988	161	1.3
B401080	80	120	24	28	38	14	M10 x 25	69	M12	6720	167988	155	1.4
T401085	85	125	24	28	38	16	M10 x 25	69	M12	8158	191986	170	1.4
B401090	90	130	24	28	38	16	M10 x 25	69	M12	8639	191986	163	1.5
B401095	95	135	24	28	38	18	M10 x 25	69	M12	10259	215984	177	1.6
B401100	100	145	26	33	45	14	M12 x 30	123	M14	12800	255998	180	2
B401110	110	155	26	33	45	14	M12 x 30	123	M14	14081	255998	169	2
B401120	120	165	26	33	45	16	M12 x 30	123	M14	17553	292569	181	3
B401130	130	180	34	38	50	20	M12 x 35	123	M14	23771	365712	159	4
B401140	140	190	34	38	50	22	M12 x 35	123	M14	28161	402283	165	4
T401150	150	200	34	38	50	24	M12 x 35	123	M14	32917	438854	171	4
B401160	160	210	34	38	50	26	M12 x 35	123	M14	38033	475425	177	4
B401170	170	225	38	44	58	22	M14 x 40	187	M16	44752	526487	163	6
B401180	180	235	38	44	58	24	M14 x 40	187	M16	51694	574350	171	6
B401190	190	250	46	52	66	28	M14 x 45	187	M16	63654	670075	155	8
B401200	200	260	46	52	66	30	M14 x 45	187	M16	71794	717937	159	9
B401220	220	285	50	56	72	26	M16 x 50	290	M20	93540	850401	158	11
B401240	240	305	50	56	72	30	M16 x 50	290	M20	117750	981232	171	12
B401260	260	325	50	56	72	34	M16 x 50	290	M20	144565	1112063	182	13
T401280	280	355	60	66	84	32	M18 x 60	397	M22	178059	1271808	158	19
T401300	300	375	60	66	84	36	M18 x 60	397	M22	214617	1430784	169	21
T401320	320	405	72	78	98	36	M20 x 70	569	M24	295337	1845919	168	29
T401340	340	425	72	78	98	36	M20 x 70	569	M24	313810	1845919	160	31
T401360	360	455	84	90	112	36	M22 x 80	766	M27	410431	2280208	158	43
T401380	380	475	84	90	112	36	M22 x 80	766	M27	433250	2280208	152	45
T401400	400	495	84	90	112	36	M22 x 80	766	M27	456041	2280208	145	47
T401420	420	515	84	90	112	40	M22 x 80	766	M27	532035	2533564	155	49
T401440	440	545	96	102	126	40	M24 x 90	983	M30	651795	2962675	150	65
T401460	460	565	96	102	126	40	M24 x 90	983	M30	681406	2962675	145	67
T401480	480	585	96	102	126	42	M24 x 90	983	M30	746608	3110809	147	71
T401500	500	605	96	102	126	44	M24 x 90	983	M30	814734	3258942	149	72

### B400 — Pilot Bushings

B-LOC pilot bushings: for series B400 Keyless Bushings to provide pre-centering in applications with either straight through hub bores or narrow hubs. Pilot bushings are supplied in sets consisting of three (3) bushings and three (3) longer screws (replacing plated locking screws). For more information refer to [www.fenner.com](http://www.fenner.com) or contact Technical Services at [AE@fenner.com](mailto:AE@fenner.com).



Recommended pre-centering length in installations without pilot bushings. Provide a minimum .001" clearance (hub concentricity depends on fit clearance).

Please note not all catalog items shown are stock. Some products are make-to-order (MTO) based on annual demand. Please verify with your customer service representative for current availability of the item desired.

# Power Transmission - B-LOC

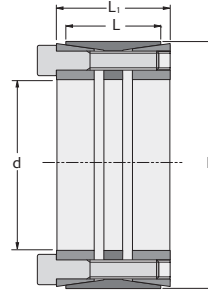
B-LOC  
**B112**  
Inch



Locking screws transfer to integrated push-off holes for disassembly.

Metric socket head locking screws  
ISO 4762 grade 12.9  
(See Ma for install torque).

Screw head height = screw diameter (mm)



TOLERANCE ( $T_L$ )

Bore diameter machined to  $D - 0/-T_L$

$T_L = .002$ " for bores up to 4.724"

.003" for bores up to 12.008"

.004" for bores up to 25.000"

.005" for bores over 25.000"

$d =$  shaft diameter machined to  $d + 0/-T_L$ .

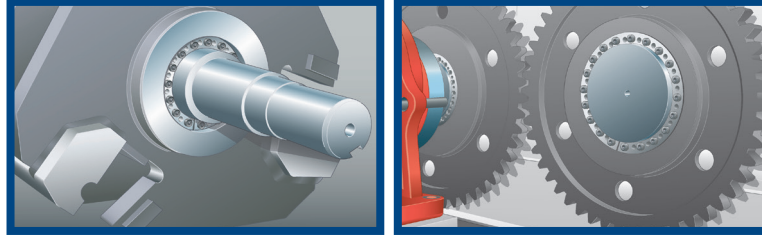
## B112 — Heavy Duty — Inch

Part Number	d (inch)	D (inch)	L (inch)	L <sub>1</sub> (inch)	Locking Screws		M <sub>a</sub> Install Torque (ft lb)	M <sub>t</sub> Maximum Transmitted Torque (ft lb)	Th Thrust (lbs)	P <sub>h</sub> Hub Pressure (psi)	Shipping Weight (lb)
					Qty	Size					
					<p>Please note not all catalog items shown are stock. Some products are make-to-order (MTO) based on annual demand. Please verify with your customer service representative for current availability of the item desired.</p>						
B122100	1	2.165	1.260	1.575	6	M6 x 35	12	600	14390	18656	1.0
T122102	1 1/8	2.165	1.260	1.575	6	M6 x 35	12	675	14390	18656	1.0
B122103	1 3/16	2.165	1.260	1.575	6	M6 x 35	12	712	14390	18656	0.9
B122104	1 1/4	2.362	1.732	2.126	7	M6 x 45	12	874	16788	14083	1.5
B122106	1 3/8	2.362	1.732	2.126	7	M6 x 45	12	962	16788	14083	1.4
B122107	1 7/16	2.362	1.732	2.126	7	M6 x 45	12	1006	16788	14083	1.3
B122108	1 1/2	2.953	1.732	2.126	7	M8 x 50	30	2011	32182	21598	2.4
B122110	1 5/8	2.953	1.732	2.126	7	M8 x 50	30	2179	32182	21598	2.3
T122111	1 11/16	2.953	1.732	2.126	7	M8 x 50	30	2263	32182	21598	2.3
B122112	1 3/4	2.953	1.732	2.126	7	M8 x 50	30	2347	32182	21598	2.1
B122114	1 7/8	3.150	2.205	2.598	8	M8 x 55	30	2873	36779	17881	2.9
B122115	1 15/16	3.150	2.205	2.598	8	M8 x 55	30	2969	36779	17881	2.8
B122200	2	3.150	2.205	2.598	8	M8 x 55	30	3065	36779	17881	2.6
B122202	2 1/8	3.346	2.205	2.598	9	M8 x 55	30	3664	41377	18933	2.9
B122203	2 3/16	3.346	2.205	2.598	9	M8 x 55	30	3771	41377	18933	2.8
B122204	2 1/4	3.543	2.205	2.598	10	M8 x 55	30	4310	45974	19868	3.3
B122206	2 3/8	3.543	2.205	2.598	10	M8 x 55	30	4550	45974	19868	3.1
B122207	2 7/16	3.740	2.205	2.598	10	M8 x 55	30	4669	45974	18822	3.6
B122208	2 1/2	3.740	2.205	2.598	10	M8 x 55	30	4789	45974	18822	3.4
B122209	2 9/16	3.740	2.205	2.598	10	M8 x 55	30	4909	45974	18822	3.3
B122210	2 5/8	4.331	2.756	3.150	10	M10 x 60	60	8155	74561	20714	7
T122211	2 11/16	4.331	2.756	3.150	10	M10 x 60	60	8349	74561	20714	7
B122212	2 3/4	4.331	2.756	3.150	10	M10 x 60	60	8543	74561	20714	6
B122214	2 7/8	4.331	2.756	3.150	10	M10 x 60	60	8932	74561	20714	6
B122215	2 15/16	4.724	2.756	3.150	11	M10 x 60	60	10039	82017	20887	8
B122300	3	4.724	2.756	3.150	11	M10 x 60	60	10252	82017	20887	7
T122302	3 1/8	4.724	2.756	3.150	11	M10 x 60	60	10679	82017	20887	7
B122304	3 1/4	4.724	2.756	3.150	11	M10 x 60	60	11107	82017	20887	7
B122306	3 3/8	5.118	2.756	3.150	12	M10 x 60	60	12582	89474	21033	8
B122307	3 7/16	5.118	2.756	3.150	12	M10 x 60	60	12815	89474	21033	8
B122308	3 1/2	5.118	2.756	3.150	12	M10 x 60	60	13048	89474	21033	8
T122310	3 5/8	5.118	2.756	3.150	12	M10 x 60	60	13514	89474	21033	7
B122312	3 3/4	5.709	3.543	4.016	11	M12 x 80	105	19172	122699	20688	13
B122314	3 7/8	5.709	3.543	4.016	11	M12 x 80	105	19811	122699	20688	12
T122315	3 15/16	5.709	3.543	4.016	11	M12 x 80	105	20130	122699	20688	13
B122400	4	5.709	3.543	4.016	11	M12 x 80	105	20450	122699	20688	12
T122404	4 1/4	6.102	3.543	4.016	12	M12 x 80	105	23703	133853	21112	14
T122406	4 3/8	6.102	3.543	4.016	12	M12 x 80	105	24400	133853	21112	13
B122407	4 7/16	6.496	3.543	4.016	14	M12 x 80	105	28874	156162	23138	16
B122408	4 1/2	6.496	3.543	4.016	14	M12 x 80	105	29280	156162	23138	16
T122412	4 3/4	6.496	3.543	4.016	14	M12 x 80	105	30907	156162	23138	14
B122415	4 15/16	7.087	4.094	4.567	12	M14 x 90	166	37477	182167	20618	21
B122500	5	7.087	4.094	4.567	12	M14 x 90	166	37952	182167	20618	21
B122504	5 1/4	7.480	4.094	4.567	14	M14 x 90	166	46491	212528	22789	24
B122507	5 7/16	7.480	4.094	4.567	14	M14 x 90	166	48151	212528	22789	22
T122508	5 1/2	7.480	4.094	4.567	14	M14 x 90	166	48704	212528	22789	21
T122512	5 3/4	7.874	4.094	4.567	15	M14 x 90	166	54555	227709	23196	24
B122515	5 15/16	7.874	4.094	4.567	15	M14 x 90	166	56334	227709	23196	22
B122600	6	8.268	4.094	4.567	16	M14 x 90	166	60722	242890	23564	26
T122607	6 7/16	8.858	5.276	5.866	14	M16 x 110	257	77782	289982	20051	40
T122608	6 1/2	8.858	5.276	5.866	14	M16 x 110	257	78537	289982	20051	39
B122615	6 15/16	9.252	5.276	5.866	15	M16 x 110	257	89810	310695	20569	40
B122700	7	9.252	5.276	5.866	15	M16 x 110	257	90619	310695	20569	38
T122704	7 1/4	9.843	5.276	5.866	16	M16 x 110	257	100113	331408	20624	47
T122707	7 7/16	9.843	5.276	5.866	16	M16 x 110	257	102702	331408	20624	44
T122708	7 1/2	9.843	5.276	5.866	16	M16 x 110	257	103565	331408	20624	43
T122712	7 3/4	10.236	5.276	5.866	16	M16 x 110	257	107017	331408	19830	48
T122715	7 15/16	10.236	5.276	5.866	16	M16 x 110	257	109606	331408	19830	45
T122800	8	10.236	5.276	5.866	16	M16 x 110	257	110469	331408	19830	44

TOLERANCE ( $T_L$ )

Bore diameter machined to  $D - 0/-T_L$   
 $T_L =$  .05mm for bores up to 120mm  
 .08mm for bores up to 305mm  
 .10mm for bores up to 635mm  
 .13mm for bores over 635mm

$d =$  shaft diameter machined to  $d + 0/-T_L$ .



## B112 — Heavy Duty — Metric

Part Number	d (mm)	D (mm)	L (mm)	L <sub>1</sub> (mm)	Locking Screws		M <sub>a</sub>	M <sub>t</sub>	Th	Ph	Shipping Weight (kg)
					Qty	Size	Install Torque (Nm)	Maximum Transmitted		Hub Pressure (N/mm <sup>2</sup> )	
								Torque (Nm)	Thrust (N)		
T121024	24	55	32	40	6	M6 x 35	16	755	62949	126	0.4
B121025	25	55	32	40	6	M6 x 35	16	787	62949	126	0.4
T121028	28	55	32	40	6	M6 x 35	16	881	62949	126	0.4
B121030	30	55	32	40	6	M6 x 35	16	944	62949	126	0.4
T121032	32	60	44	54	7	M6 x 45	16	1175	73440	95	0.6
B121035	35	60	44	54	7	M6 x 45	16	1285	73440	95	0.6
T121038	38	75	44	54	7	M8 x 50	41	2742	144304	150	1.0
B121040	40	75	44	54	7	M8 x 50	41	2886	144304	150	1.0
T121042	42	75	44	54	7	M8 x 50	41	3030	144304	150	1.0
B121045	45	75	44	54	7	M8 x 50	41	3247	144304	150	0.9
T121048	48	80	56	66	8	M8 x 55	41	3958	164918	124	1.3
B121050	50	80	56	66	8	M8 x 55	41	4123	164918	124	1.2
B121055	55	85	56	66	9	M8 x 55	41	5102	185533	132	1.3
B121060	60	90	56	66	10	M8 x 55	41	6184	206148	138	1.4
B121065	65	95	56	66	10	M8 x 55	41	6700	206148	131	1.5
B121070	70	110	70	80	10	M10 x 60	81	11559	330251	142	3
T121075	75	115	70	80	10	M10 x 60	81	12384	330251	136	3
B121080	80	120	70	80	11	M10 x 60	81	14531	363276	143	3
T121085	85	125	70	80	11	M10 x 60	81	15439	363276	138	3
B121090	90	130	70	80	12	M10 x 60	81	17834	396302	144	4
T121095	95	135	70	80	12	M10 x 60	81	18824	396302	139	4
B121100	100	145	90	102	11	M12 x 80	142	27222	544433	142	6
B121110	110	155	90	102	12	M12 x 80	142	32666	593927	145	6
B121120	120	165	90	102	14	M12 x 80	142	41575	692914	159	7
B121130	130	180	104	116	12	M14 x 90	225	52658	810116	142	9
B121140	140	190	104	116	14	M14 x 90	225	66159	945135	157	10
B121150	150	200	104	116	15	M14 x 90	225	75948	1012645	160	10
B121160	160	210	104	116	16	M14 x 90	225	86412	1080154	162	11
T121170	170	225	134	149	14	M16 x 110	348	109506	1288307	138	16
T121180	180	235	134	149	15	M16 x 110	348	124230	1380329	142	17
T121190	190	250	134	149	16	M16 x 110	348	139873	1472351	142	20
B121200	200	260	134	149	16	M16 x 110	348	147235	1472351	137	21
B121220	220	285	134	150	18	M16 x 110	348	182203	1656395	140	25
B121240	240	305	134	150	20	M16 x 110	348	220853	1840439	146	27
T121260	260	325	134	150	21	M16 x 110	348	251220	1932460	143	29
T121280	280	355	165	177	18	M20 x 130	678	360984	2578456	146	43
T121300	300	375	165	177	20	M20 x 130	678	429743	2864951	154	47
T121320	320	405	165	177	21	M20 x 130	678	481312	3008198	149	56
T121340	340	425	165	177	22	M20 x 130	678	535746	3151446	149	60
T121360	360	455	190	203	21	M22 x 150	915	670526	3725144	143	80
T121380	380	475	190	203	22	M22 x 150	915	741481	3902532	143	85
T121400	400	495	190	203	24	M22 x 150	915	851462	4257308	150	88
T121420	420	515	190	203	24	M22 x 150	915	894035	4257308	144	92
T121440	440	535	190	203	24	M22 x 150	915	936608	4257308	139	96
T121460	460	555	190	203	24	M22 x 150	915	979181	4257308	134	101
T121480	480	575	190	203	28	M22 x 150	915	1192046	4966859	151	103
T121500	500	595	190	203	28	M22 x 150	915	1241715	4966859	146	108
T121520	520	615	190	203	30	M22 x 150	915	1383625	5321634	151	111
T121540	540	635	190	203	30	M22 x 150	915	1436841	5321634	146	114
T121560	560	655	190	203	32	M22 x 150	915	1589395	5676410	151	119
T121580	580	675	190	203	32	M22 x 150	915	1646159	5676410	147	123
T121600	600	695	190	203	33	M22 x 150	915	1756139	5853798	147	128

Please note not all catalog items shown are stock. Some products are make-to-order (MTO) based on annual demand. Please verify with your customer service representative for current availability of the item desired.

# Power Transmission - B-LOC

B-LOC

**B15**

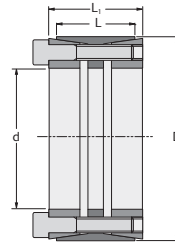
Inch and Metric



Locking screws transfer to integrated push-off holes for disassembly.

Metric socket head locking screws ISO 4762 grade 12.9 (See  $M_A$  for install torque).

Screw head height = screw diameter (mm)



TOLERANCE ( $T_L$ )

Bore diameter machined to  $D -0/+T_L$

$T_L = .002$ " for bores up to 4.724"  
 .003" for bores up to 12.008"  
 .004" for bores up to 25.000"  
 .005" for bores over 25.000"

$T_L = .05$ mm for bores up to 120mm  
 .08mm for bores up to 305mm  
 .10mm for bores up to 635mm  
 .13mm for bores over 635mm

$d =$  shaft diameter machined to  $d +0/-TL$

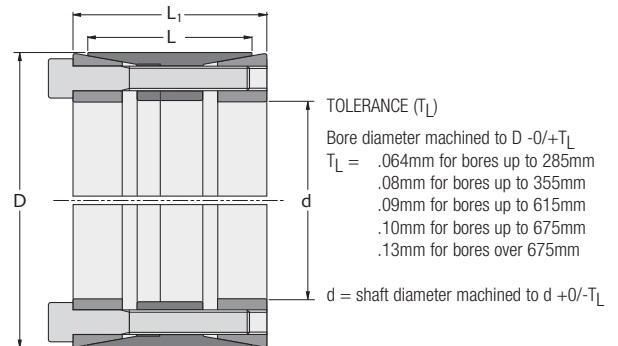
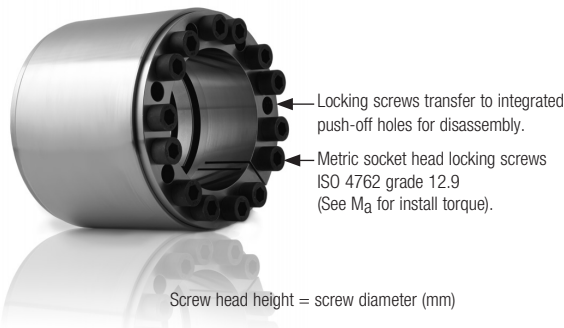
## B115 — Medium Duty — Inch

Part Number	d (inch)	D (inch)	L (inch)	L <sub>1</sub> (inch)	Locking Screws		M <sub>A</sub> Install Torque (ft lb)	M <sub>t</sub> Maximum Transmitted Torque (ft lb)	T <sub>h</sub> Maximum Transmitted Thrust (lbs)	P <sub>h</sub> Hub Pressure (psi)	Shipping Weight (lb)
					Qty	Size					
B152212	2 3/4	4.331	1.969	2.441	8	M10 x 50	60	5261	45913	17858	5
B152215	2 15/16	4.528	1.969	2.441	8	M10 x 50	60	5620	45913	17079	5
T152307	3 7/16	5.118	1.969	2.441	11	M10 x 50	60	9042	63131	20777	7
B152308	3 1/2	5.118	1.969	2.441	11	M10 x 50	60	9207	63131	20777	6
B152315	3 15/16	5.709	2.362	2.835	10	M12 x 60	105	14086	85858	21111	9
B152407	4 7/16	6.496	2.362	2.835	11	M12 x 60	105	17462	94444	20408	12
T152408	4 1/2	6.496	2.362	2.835	11	M12 x 60	105	17708	94444	20408	11
T152415	4 15/16	7.087	2.559	3.189	14	M12 x 70	105	24729	120202	21162	15
T152500	5	7.087	2.559	3.189	14	M12 x 70	105	25042	120202	21162	15
B152507	5 7/16	7.480	2.559	3.228	15	M12 x 70	105	29178	128787	21482	15
B152515	5 15/16	7.874	2.559	3.228	15	M12 x 70	105	31861	128787	20407	16
T152600	6	8.268	2.559	3.228	16	M12 x 70	105	34343	137373	20731	19
T152607	6 7/16	8.858	3.071	3.661	15	M14 x 80	166	47013	175273	20830	25
B152615	6 15/16	9.252	3.071	3.661	15	M14 x 80	166	50665	175273	19944	25
B152715	7 15/16	10.236	3.465	4.134	18	M14 x 80	166	69561	210328	18216	31
T152800	8	10.236	3.465	4.134	18	M14 x 80	166	70109	210328	18216	32

## B115 — Medium Duty — Metric

Part Number	d (mm)	D (mm)	L (mm)	L <sub>1</sub> (mm)	Locking Screws		M <sub>A</sub> Install Torque (Nm)	M <sub>t</sub> Maximum Transmitted Torque (Nm)	T <sub>h</sub> Maximum Transmitted Thrust (N)	P <sub>h</sub> Hub Pressure (N/mm <sup>2</sup> )	Shipping Weight (kg)
					Qty	Size					
B151070	70	110	50	62	8	M10 x 50	81	7118	203362	123	2
T151075	75	115	50	62	8	M10 x 50	81	7626	203362	117	2
T151080	80	120	50	62	10	M10 x 50	81	10168	254202	140	3
T151090	90	130	50	62	11	M10 x 50	81	12583	279622	143	3
T151095	95	135	50	62	11	M10 x 50	81	13282	279622	137	4
B151100	100	145	60	72	10	M12 x 60	142	19048	380966	145	4
T151110	110	155	60	72	10	M12 x 60	142	20953	380966	136	4
B151120	120	165	60	72	11	M12 x 60	142	25144	419063	140	5
T151130	130	180	65	81	14	M12 x 70	142	34668	533353	146	6
B151140	140	190	65	82	15	M12 x 70	142	40001	571449	148	7
B151150	150	200	65	82	15	M12 x 70	142	42859	571449	140	7
B151160	160	210	65	82	16	M12 x 70	142	48764	609546	143	8
B151170	170	225	78	93	15	M14 x 80	225	66254	779456	144	11
B151180	180	235	78	93	15	M14 x 80	225	70151	779456	137	11
B151190	190	250	88	105	16	M14 x 80	225	78985	831420	116	14
B151200	200	260	88	105	18	M14 x 80	225	93535	935348	126	15
B151220	220	285	96	111	15	M16 x 90	348	116872	1062472	121	19
B151240	240	305	96	111	20	M16 x 90	348	169995	1416629	150	20
T151260	260	325	96	111	21	M16 x 90	348	193370	1487460	148	22
T151280	280	355	96	111	15	M20 x 90	678	231548	1653915	163	27
T151300	300	375	96	111	15	M20 x 90	678	248087	1653915	154	30
T151320	320	405	124	136	20	M20 x 110	678	352835	2205220	150	44
T151340	340	425	124	136	20	M20 x 110	678	374887	2205220	143	47
T151360	360	455	140	160	20	M22 x 130	915	491542	2730791	133	66
T151380	380	475	140	160	20	M22 x 130	915	518850	2730791	127	69
T151400	400	495	140	160	22	M22 x 130	915	600774	3003871	134	72
T151420	420	515	140	160	24	M22 x 130	915	688159	3276950	141	75
T151440	440	535	140	160	24	M22 x 130	915	720929	3276950	135	78
T151460	460	555	140	160	24	M22 x 130	915	753698	3276950	131	82
T151480	480	575	140	160	25	M22 x 130	915	819237	3413489	131	84
T151500	500	595	140	160	25	M22 x 130	915	853372	3413489	127	88
T151520	520	615	140	160	28	M22 x 130	915	994008	3823108	137	91
T151540	540	635	140	160	28	M22 x 130	915	1032239	3823108	133	94
T151560	560	655	140	160	30	M22 x 130	915	1146932	4096187	138	97
T151580	580	675	140	160	30	M22 x 130	915	1187894	4096187	134	100
T151600	600	695	140	160	30	M22 x 130	915	1228856	4096187	130	103

Please note not all catalog items shown are stock. Some products are make-to-order (MTO) based on annual demand. Please verify with your customer service representative for current availability of the item desired.



## B113 — Extra Heavy Duty — Metric

Part Number	d (mm)	D (mm)	L (mm)	L <sub>1</sub> (mm)	Locking Screws		M <sub>a</sub>	M <sub>t</sub>	Th	Ph	Shipping Weight (kg)
					Qty	Size	Install Torque (Nm)	Maximum Transmitted		Hub Pressure (N/mm <sup>2</sup> )	
								Torque (Nm)	Thrust (N)		
T131180	180	285	205	229	14	M22 x 180	915	223566	2483935	139	62
T131200	200	305	205	229	16	M22 x 180	915	283878	2838783	149	67
T131220	220	325	205	229	16	M22 x 180	915	312251	2838783	141	73
T131240	240	355	208	238	16	M24 x 180	1180	400322	3335957	147	88
T131260	260	375	208	238	18	M24 x 180	1180	487873	3752951	156	93
T131280	280	405	208	238	20	M24 x 180	1180	583812	4169946	163	110
T131300	300	425	208	238	20	M24 x 180	1180	625491	4169946	153	117
T131320	320	455	250	280	18	M27 x 220	1763	803261	5020549	149	161
T131340	340	475	250	280	20	M27 x 220	1763	948338	5578387	156	170
T131360	360	495	250	280	22	M27 x 220	1763	1104503	6136226	164	177
T131380	380	515	250	280	22	M27 x 220	1763	1165912	6136226	160	186
T131400	400	535	250	280	22	M27 x 220	1763	1227243	6136226	152	192
T131420	420	555	250	280	24	M27 x 220	1763	1405717	6694065	160	202
T131440	440	575	250	280	24	M27 x 220	1763	1472708	6694065	154	210
T131460	460	595	250	280	24	M27 x 220	1763	1539615	6694065	149	220
T131480	480	615	250	280	28	M27 x 220	1763	1874374	7809742	168	227
T131500	500	635	250	280	28	M27 x 220	1763	1952432	7809742	163	233
T131520	520	655	250	280	28	M27 x 220	1763	2030489	7809742	158	244
T131540	540	675	250	280	30	M27 x 220	1763	2259264	8367581	164	251
T131560	560	695	250	280	30	M27 x 220	1763	2342897	8367581	160	260

Please note not all catalog items shown are stock. Some products are make-to-order (MTO) based on annual demand. Please verify with your customer service representative for current availability of the item desired.

B-LOC  
**B117**  
Metric



Metric socket head locking screws  
ISO 4762 grade 12.9  
(See  $M_a$  for install torque).

Screw head height = screw diameter (mm)

TOLERANCE ( $T_L$ )

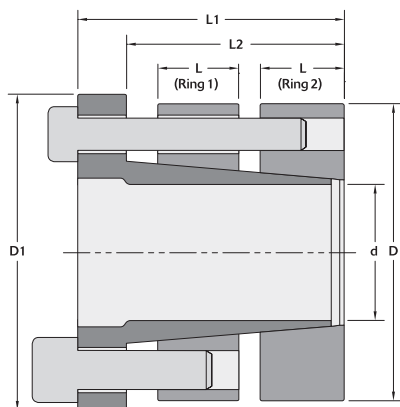
Bore diameter machined to  $D - 0/+T_L$   
 $T_L =$  .05mm for bores up to 120mm  
.08mm for bores up to 305mm  
.10mm for bores over 305mm

$d =$  Shaft diameter machined to  $d + 0/-T_L$

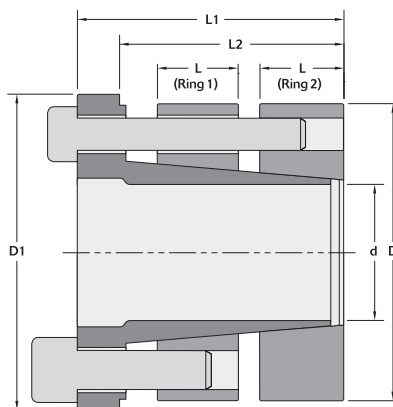
## B117 — High-Bending — Metric

Part Number	d (mm)	D (mm)	D <sub>1</sub> (mm)	L (mm)	L <sub>1</sub> (mm)	L <sub>2</sub> (mm)	Locking Screws						M <sub>t1</sub>	M <sub>t2</sub>	M <sub>ttot</sub>	Th <sub>1</sub>	Th <sub>2</sub>	Th <sub>tot</sub>	Ph <sub>1</sub>	Ph <sub>2</sub>	Shipping Weight (kg)								
							SIZE 1			SIZE 2												Maximum Transmitted			Maximum Transmitted				
							Qty.	Size	M <sub>a</sub> Install Torque (Nm)	Qty.	Size	M <sub>a</sub> Install Torque (Nm)										Torque (Nm)	Torque (Nm)	Torque (Nm)	Thrust (N)	Thrust (N)	Thrust (N)	Hub Pressure (N/mm <sup>2</sup> )	Hub Pressure (N/mm <sup>2</sup> )
B171180	180	250	256	40	122	92	8	M20 x 70	678	8	M16 x 110	348	51569	33128	84697	572990	368088	941078	152	98	21								
B171190	190	260	266	40	122	92	10	M20 x 70	678	10	M16 x 110	348	68043	43710	111753	716238	460110	1176347	176	113	22								
B171200	200	270	276	40	122	92	10	M20 x 70	678	10	M16 x 110	348	71624	46011	117635	716238	460110	1176347	176	113	23								
B171220	220	290	296	40	122	92	10	M20 x 70	678	10	M16 x 110	348	78786	50612	129398	716238	460110	1176347	164	105	25								
B171240	240	310	316	40	122	92	12	M20 x 70	678	12	M16 x 110	348	103138	66256	169394	859485	552132	1411617	184	118	28								
B171260	260	330	336	40	122	92	12	M20 x 70	678	12	M16 x 110	348	111733	71777	183510	859485	552132	1411617	173	111	29								
B171280	280	365	371	45	144	108	10	M24 x 80	1180	10	M20 x 130	678	145918	100273	246192	1042274	716238	1758512	168	116	45								
B171300	300	385	391	45	144	108	10	M24 x 80	1180	10	M20 x 130	678	156341	107436	263777	1042274	716238	1758512	160	110	48								
B171340	340	425	431	45	144	108	14	M24 x 80	1180	14	M20 x 130	678	248061	170465	418526	1459184	1002733	2461917	202	139	54								
B171380	380	465	471	45	144	108	16	M24 x 80	1180	16	M20 x 130	678	316851	217736	534588	1667639	1145980	2813619	211	145	58								
B171400	400	485	491	45	144	108	16	M24 x 80	1180	16	M20 x 130	678	333528	229196	562724	1667639	1145980	2813619	203	139	62								
B171420	420	505	511	45	144	108	16	M24 x 80	1180	16	M20 x 130	678	350204	240656	590860	1667639	1145980	2813619	195	134	65								
B171440	440	525	531	59	178	147	16	M24 x 100	1180	16	M20 x 150	678	366881	252116	618996	1667639	1145980	2813619	143	98	82								
B171460	460	545	551	59	178	147	16	M24 x 100	1180	16	M20 x 150	678	383557	263575	647132	1667639	1145980	2813619	138	95	85								
B171480	480	565	571	59	178	147	16	M24 x 100	1180	16	M20 x 150	678	400233	275035	675269	1667639	1145980	2813619	133	91	90								
B171500	500	585	591	59	178	147	18	M24 x 100	1180	18	M20 x 150	678	469023	322307	791330	1876094	1289228	3165322	144	99	93								
B171520	520	605	611	59	178	147	18	M24 x 100	1180	18	M20 x 150	678	487784	335199	822984	1876094	1289228	3165322	139	96	97								
B171540	540	625	631	59	178	147	18	M24 x 100	1180	18	M20 x 150	678	506545	348092	854637	1876094	1289228	3165322	135	93	100								
B171560	560	645	651	59	178	147	18	M24 x 100	1180	18	M20 x 150	678	525306	360984	886290	1876094	1289228	3165322	131	90	103								
B171580	580	665	671	59	178	147	20	M24 x 100	1180	20	M20 x 150	678	604519	415418	1019937	2084549	1432475	3517024	141	97	107								
B171600	600	685	691	59	178	147	20	M24 x 100	1180	20	M20 x 150	678	625365	429743	1055107	2084549	1432475	3517024	137	94	110								

Additional sizes available upon request.

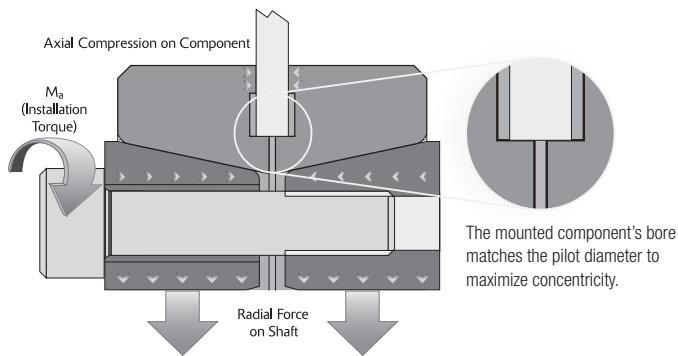


B117 Units,  $d \leq 420$ mm



B117 Units,  $d \geq 440$ mm

Please note not all catalog items shown are stock. Some products are make-to-order (MTO) based on annual demand. Please verify with your customer service representative for current availability of the item desired.



## Principles of Operation

B-LOC Compression Hubs differ from other keyless locking devices in how they engage the mounted component. Rather than creating a radial force on the mounted component, the outer tapered rings are drawn together to generate an axial clamping force. In this way, the mounted component is not subjected to tensile (hoop) stresses. This operating principle also allows narrow components to be mounted with excellent runout.

## Surface Finish

Recommended surface finish for shafts to be used with B-LOC Compression Hubs is between 32 and 125 microinch (0.8 and 3.2 micrometer) RMS. A smoother finish — such as that found on components supplied TG&P (turned, ground and polished) — is NOT recommended and can result in a failure of the connection. Note that surface finishes below 32 microinch (0.8 micrometer) RMS can be roughened using longitudinal abrasion with a bastard file, emery paper or similar to achieve a surface finish within the recommended range. The recommended surface finish on the contact faces of the mounted component is between 32 and 250 microinch (0.8 – 6.4 micrometer).

## Concentricity

Fenner Industrial Motion Keyless Locking Devices are precision machined to maximize concentricity and minimize runout. The final installed concentricity of mounted components depends on several variables, including the components themselves and the installation technique employed. In the case of B-LOC Compression Hubs, total runout can be minimized by machining the bore and contacting faces of the mounted component to tight tolerances.

## Adhesives & Lubricants

B-LOC Keyless Locking Devices are supplied with an oil specific to the product line. The listed performance data requires the use of these lubricants to provide the necessary coefficient of friction to the sliding surfaces. Likewise, do not use anaerobic adhesives such as Loctite, Permatex or similar compounds with Fenner Industrial Motion Keyless Locking Devices. Doing so results in unknown contact pressures and capacities. Furthermore, disassembly may be compromised when such compounds are applied to the keyless bushing, the shaft and/or the hub bore. The approved lubricant for use with B-LOC Compression Hubs is CRC3-36.

## Materials

B-LOC Keyless Locking Devices are made from carbon steels and heat treated alloy steels. For applications in corrosive environments, corrosion resistance can be improved through sealing with grease or silicone, the use of protective cover plates, application of industry standard plating materials (e.g., nickel, thin dense chrome, etc.) or by specifying the product in stainless steel or other corrosion resistant materials. Please consult with a Fenner Industrial Motion Applications Engineer for more details.

## Torque

$T$  = peak drive torque = nominal torque multiplied by a safety factor to account for stall or start-up conditions, mass accelerations, impact loads, etc. Nominal drive torque can be calculated as follows:

$$M_{t_{nom}} \text{ (ft lb)} = \frac{5252 \times \text{HP}}{\text{rpm}}$$

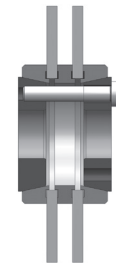
$$M_{t_{nom}} \text{ (Nm)} = \frac{9550 \times \text{kW}}{\text{rpm}}$$

Consult with a Fenner Industrial Motion Applications Engineer in cases where “ $T$ ” is uncertain.

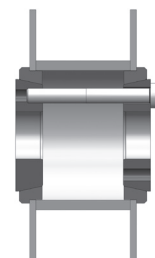
$M_t$  = The rated torque capacity of one Fenner Industrial Motion Keyless Locking Device installed according to our instructions. Published torque capacities are calculated without using a safety factor and should be considered as the point where a connection could slip if a higher torque is applied. Therefore, always select a unit where  $M_t \geq T$ .

## Made to Order

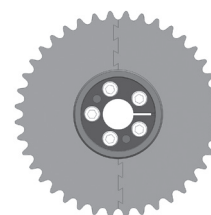
B-LOC Compression Hubs offer a unique design that can provide solutions for applications beyond the standard, single chain sprocket application. Because compression hubs function by clamping the mounted components in the axial direction, cost savings can be realized by stacking together lower cost individual components. The compression hub simultaneously clamps the assembly together and attaches the assembly to the shaft.



A double strand chain sprocket can be easily made by adding a spacer between two A-plate sprockets.



Applications that require spacing between thin end discs can be accommodated by extending the pilot surface through the end discs so that it engages a spacer and keeps the entire assembly aligned.



Split sprocket designs are simplified by utilizing an A-plate sprocket which is split in a way that provides positive engagement between the two halves.

# B-LOC Compression Hubs

B-LOC  
BCH  
20

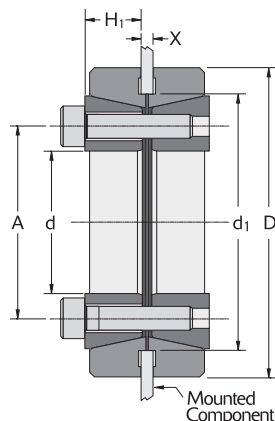
Inch



Metric socket head locking screws ISO 4762 grade 12.9 (See  $M_a$  for install torque).

Locking screws transfer to integrated push-off holes for disassembly.

Screw head height = screw diameter (mm)



TOLERANCE ( $T_L$ )

Recommended bore diameter  $d_1 +.001" / +.003"$

$T_L = .002"$  for shafts up to 3"

Shaft diameter machined to  $d +0/-T_L$

Parallelism machined to  $X +/- .005"$

## BCH20 – Light Duty – Inch

Base Part Number	d (inch)	D (inch)	H <sub>1</sub> (inch)	A (inch)	d <sub>1</sub> (inch)	Locking Screws		Mounted Component Thickness (X)				M <sub>a</sub> Install Torque (ft lb)	M <sub>t</sub> Torque (ft lb)	T <sub>h</sub> Thrust (lbs)	P <sub>s</sub> Shaft Pressure (ksi)	Ship Weight (lb)
						Qty	Size	Range 1		Range 2						
								X (inch)	Screw Length 1 (mm)	X (inch)	Screw Length 2 (mm)	Torque (ft lb)	Thrust (lbs)			
BCH202008	1/2	1.496	0.305	0.925	1.280	4	M4	0.098 – 0.161	16	0.161 – 0.319	20	3.5	48	2320	24.7	0.2
BCH202010	5/8	1.496	0.305	0.925	1.280	4	M4	0.098 – 0.161	16	0.161 – 0.319	20	3.5	60	2320	19.7	0.2
BCH202012	3/4	1.732	0.305	1.122	1.535	4	M4	0.098 – 0.161	16	0.161 – 0.319	20	3.5	72	2320	16.5	0.4
BCH202014	7/8	1.969	0.384	1.339	1.732	4	M4	0.098 – 0.240	20	0.240 – 0.437	25	3.5	84	2320	11.3	0.4
BCH202015	15/16	1.969	0.384	1.339	1.732	4	M4	0.098 – 0.240	20	0.240 – 0.437	25	3.5	90	2320	10.6	0.4
BCH202100	1	1.969	0.384	1.339	1.732	4	M4	0.098 – 0.240	20	0.240 – 0.437	25	3.5	97	2320	9.9	0.4
BCH202102	1 1/8	2.165	0.384	1.535	1.969	5	M4	0.098 – 0.240	20	0.240 – 0.437	25	3.5	136	2990	11.3	0.7
BCH202103	1 3/16	2.165	0.384	1.535	1.969	5	M4	0.098 – 0.240	20	0.240 – 0.437	25	3.5	136	2990	10.7	0.7
BCH202104	1 1/4	2.362	0.384	1.732	2.126	6	M4	0.098 – 0.240	20	0.240 – 0.437	25	3.5	180	3570	12.2	0.7
BCH202106	1 3/8	2.362	0.384	1.732	2.126	6	M4	0.098 – 0.240	20	0.240 – 0.437	25	3.5	180	3570	11.2	0.7
BCH202107	1 7/16	2.756	0.482	2.008	2.520	4	M5	0.098 – 0.276	25	0.276 – 0.472	30	7	237	4020	10.0	1.1
BCH202108	1 1/2	2.756	0.482	2.008	2.520	4	M5	0.098 – 0.276	25	0.276 – 0.472	30	7	237	4020	9.6	1.1
BCH202110	1 5/8	2.992	0.482	2.205	2.677	6	M5	0.098 – 0.276	25	0.276 – 0.472	30	7	385	6050	13.2	1.3
BCH202111	1 11/16	2.992	0.482	2.205	2.677	6	M5	0.098 – 0.276	25	0.276 – 0.472	30	7	385	6050	12.8	1.3
BCH202112	1 3/4	2.992	0.482	2.205	2.677	6	M5	0.098 – 0.276	25	0.276 – 0.472	30	7	385	6050	12.3	1.3
BCH202114	1 7/8	3.543	0.561	2.598	3.071	9	M5	0.098 – 0.394	30	0.394 – 0.512	40	7	683	9060	14.8	2.2
BCH202115	1 15/16	3.543	0.561	2.598	3.071	9	M5	0.098 – 0.394	30	0.394 – 0.512	40	7	683	9060	14.4	2.2
BCH202200	2	3.543	0.561	2.598	3.071	9	M5	0.098 – 0.394	30	0.394 – 0.512	40	7	683	9060	13.8	2.2
BCH202202	2 1/8	3.543	0.561	2.598	3.071	9	M5	0.098 – 0.394	30	0.394 – 0.512	40	7	683	9060	13.1	2
BCH202203	2 3/16	3.543	0.561	2.598	3.071	9	M5	0.098 – 0.394	30	0.394 – 0.512	40	7	683	9060	12.6	2
BCH202204	2 1/4	4.134	0.679	3.031	3.622	9	M6	0.098 – 0.429	35	0.429 – 0.591	45	12	1066	12190	13.6	3.5
BCH202206	2 3/8	4.134	0.679	3.031	3.622	9	M6	0.098 – 0.429	35	0.429 – 0.591	45	12	1066	12190	12.9	3.3
BCH202207	2 7/16	4.134	0.679	3.031	3.622	9	M6	0.098 – 0.429	35	0.429 – 0.591	45	12	1066	12190	12.6	3.3
BCH202208	2 1/2	4.134	0.679	3.031	3.622	9	M6	0.098 – 0.429	35	0.429 – 0.591	45	12	1066	12190	12.3	3.3
BCH202209	2 9/16	4.134	0.679	3.031	3.622	9	M6	0.098 – 0.429	35	0.429 – 0.591	45	12	1066	12190	12.0	3.1
BCH202210	2 5/8	4.724	0.679	3.465	4.016	12	M6	0.098 – 0.429	35	0.429 – 0.591	45	12	1617	16250	15.5	4.6
BCH202212	2 3/4	4.724	0.679	3.465	4.016	12	M6	0.098 – 0.429	35	0.429 – 0.591	45	12	1617	16250	14.9	4.4
BCH202214	2 7/8	4.724	0.679	3.465	4.016	12	M6	0.098 – 0.429	35	0.429 – 0.591	45	12	1617	16250	14.2	4.2
BCH202215	2 15/16	4.724	0.679	3.465	4.016	12	M6	0.098 – 0.429	35	0.429 – 0.591	45	12	1617	16250	13.9	4.2
BCH202300	3	4.724	0.679	3.465	4.016	12	M6	0.098 – 0.429	35	0.429 – 0.591	45	12	1617	16250	13.6	4

## Part Number Ordering Guide

Base Part Number	+	Screw Length (based on X)	=	Complete Part Number
BCH202110		025		BCH202110-025
3 digit whole number Always in mm 25 = 025				

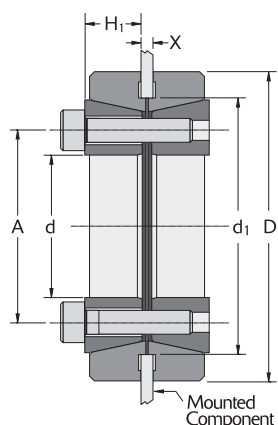
### NOTES

- B-LOC Compression Hubs exert a maximum pressure on the face of the mounted component of 250 N/mm<sup>2</sup> (36 ksi).
- B-LOC pilot diameter  $d_1$  machined to ISO tolerance h8.

Please note not all catalog items shown are stock. Some products are make-to-order (MTO) based on annual demand. Please verify with your customer service representative for current availability of the item desired.

B-LOC  
BCH  
20

Metric



TOLERANCE ( $T_L$ )

Recommended bore diameter  $d_1 +.03\text{mm} / +.08\text{mm}$

$T_L = .05\text{mm}$  for shafts up to 75mm

Shaft diameter machined to  $d +0/-T_L$

Parallelism machined to  $X \pm 0.13\text{mm}$

### BCH20 – Light Duty – Metric

Base Part Number	d (mm)	D (mm)	H <sub>1</sub> (mm)	A (mm)	d <sub>1</sub> (mm)	Locking Screws		Mounted Component Thickness (X)				M <sub>a</sub>	M <sub>t</sub>	Th	P <sub>s</sub>		Ship Weight (kg)
						Qty	Size	Range 1		Range 2					Maximum Transmitted		
								X (mm)	Screw Length 1 (mm)	X (mm)	Screw Length 2 (mm)	Install Torque (Nm)	Torque (Nm)	Thrust (kN)	Shaft Pressure (N/mm <sup>2</sup> )		
BCH201012	12	38	7.8	23.5	32.5	4	M4	2.5 – 4.1	16	4.1 – 8.1	20	5	65	10.8	189	0.1	
BCH201014	14	38	7.8	23.5	32.5	4	M4	2.5 – 4.1	16	4.1 – 8.1	20	5	76	10.8	136	0.1	
BCH201015	15	38	7.8	23.5	32.5	4	M4	2.5 – 4.1	16	4.1 – 8.1	20	5	81	10.8	114	0.2	
BCH201018	18	44	7.8	28.5	39	4	M4	2.5 – 4.1	16	4.1 – 8.1	20	5	97	10.8	78	0.2	
BCH201019	19	44	7.8	28.5	39	4	M4	2.5 – 4.1	16	4.1 – 8.1	20	5	103	10.8	73	0.2	
BCH201020	20	44	7.8	28.5	39	4	M4	2.5 – 4.1	16	4.1 – 8.1	20	5	108	10.8	68	0.2	
BCH201022	22	50	9.8	34	44	4	M4	2.5 – 6.1	20	6.1 – 11.1	25	5	122	11.2	78	0.3	
BCH201024	24	50	9.8	34	44	4	M4	2.5 – 6.1	20	6.1 – 11.1	25	5	134	11.2	74	0.3	
BCH201025	25	50	9.8	34	44	4	M4	2.5 – 6.1	20	6.1 – 11.1	25	5	140	11.2	84	0.3	
BCH201028	28	55	9.8	39	50	5	M4	2.5 – 6.1	20	6.1 – 11.1	25	5	195	13.9	77	0.3	
BCH201030	30	55	9.8	39	50	5	M4	2.5 – 6.1	20	6.1 – 11.1	25	5	195	13.9	69	0.5	
BCH201032	32	60	9.8	44	54	6	M4	2.5 – 6.1	20	6.1 – 11.1	25	5	257	16.7	66	0.5	
BCH201035	35	60	9.8	44	54	6	M4	2.5 – 6.1	20	6.1 – 11.1	25	5	257	16.7	91	0.6	
BCH201038	38	70	12.3	51	64	4	M5	2.5 – 7	25	7 – 12	30	10	321	17.9	88	0.6	
BCH201040	40	70	12.3	51	64	4	M5	2.5 – 7	25	7 – 12	30	10	321	17.9	85	0.6	
BCH201042	42	76	12.3	56	68	6	M5	2.5 – 7	25	7 – 12	30	10	522	26.9	102	1	
BCH201045	45	76	12.3	56	68	6	M5	2.5 – 7	25	7 – 12	30	10	522	26.9	99	1	
BCH201048	48	90	14.3	66	78	9	M5	2.5 – 10	30	10 – 13	40	10	926	40.3	95	1	
BCH201050	50	90	14.3	66	78	9	M5	2.5 – 10	30	10 – 13	40	10	926	40.3	90	0.9	
BCH201055	55	90	14.3	66	78	9	M5	2.5 – 10	30	10 – 13	40	10	926	40.3	87	0.9	
BCH201060	60	105	17.3	77	92	9	M6	2.5 – 10.9	35	10.9 – 15	45	16	1445	54.2	94	1.6	
BCH201065	65	105	17.3	77	92	9	M6	2.5 – 10.9	35	10.9 – 15	45	16	1445	54.2	89	1.5	
BCH201070	70	120	17.3	88	102	12	M6	2.5 – 10.9	35	10.9 – 15	45	16	2192	72.3	87	1.5	
BCH201075	75	120	17.3	88	102	12	M6	2.5 – 10.9	35	10.9 – 15	45	16	2192	72.3	85	1.5	

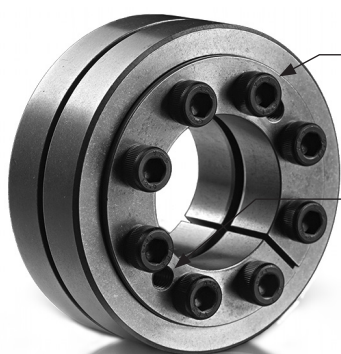
#### Contact Technical Services:

- Larger and smaller bore sizes available upon request
- Larger mounted component thickness (outside of X Ranges 1 and 2) can be easily accommodated. Fully-threaded screws are required for mounted component thicknesses larger than X Range 2.
- Fenner Industrial Motion can engineer a custom B-LOC Compression Hub to meet your needs.
- Email: [AE@fenner.com](mailto:AE@fenner.com)

Please note not all catalog items shown are stock. Some products are make-to-order (MTO) based on annual demand. Please verify with your customer service representative for current availability of the item desired.

# B-LOC Compression Hubs

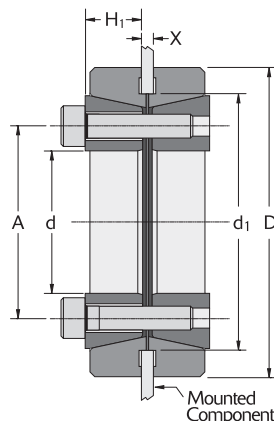
B-LOC  
**BCH**  
**50**  
Inch



Metric socket head locking screws ISO 4762 grade 12.9 (See  $M_a$  for install torque).

Locking screws transfer to integrated push-off holes for disassembly.

Screw head height = screw diameter (mm)



TOLERANCE ( $T_L$ )

Recommended bore diameter  $d_1 +.001'' / +.003''$

$T_L = .002''$  for shafts up to 3"

Shaft diameter machined to  $d + 0/-T_L$

Parallelism machined to  $X +/- .005''$

## BCH50 – Heavy Duty – Inch

Base Part Number	d (inch)	D (inch)	H <sub>1</sub> (inch)	A (inch)	d <sub>1</sub> (inch)	Locking Screws		Mounted Component Thickness (X)				M <sub>a</sub> Install Torque (ft lb)	P <sub>s</sub> Maximum Transmitted		Shaft Pressure (ksi)	Ship Weight (lb)
								Range 1		Range 2			Torque (ft lb)	Thrust (lbs)		
								X (inch)	Screw Length 1 (mm)	X (inch)	Screw Length 2 (mm)					
BCH502008	1/2	1.85	0.384	0.984	1.457	5	M5	0.098 – 0.197	20	0.197 – 0.394	25	7	104	4970	42.5	0.7
BCH502010	5/8	1.85	0.384	0.984	1.457	5	M5	0.098 – 0.197	20	0.197 – 0.394	25	7	129	5510	33.9	0.4
BCH502012	3/4	2.047	0.384	1.181	1.654	6	M5	0.098 – 0.197	20	0.197 – 0.394	25	7	186	6610	33.9	0.7
BCH502014	7/8	2.283	0.463	1.398	1.890	6	M5	0.098 – 0.315	25	0.315 – 0.512	30	7	217	6610	24.2	0.9
BCH502015	15/16	2.283	0.463	1.398	1.890	6	M5	0.098 – 0.315	25	0.315 – 0.512	30	7	233	6610	22.6	0.9
BCH502100	1	2.283	0.463	1.398	1.890	6	M5	0.098 – 0.315	25	0.315 – 0.512	30	7	248	6610	21.2	0.9
BCH502102	1 1/8	2.559	0.463	1.594	2.126	8	M5	0.098 – 0.315	25	0.315 – 0.512	30	7	385	9130	26.0	1.1
BCH502103	1 3/16	2.559	0.463	1.594	2.126	8	M5	0.098 – 0.315	25	0.315 – 0.512	30	7	406	9130	24.7	1.1
BCH502104	1 1/4	2.953	0.561	1.850	2.362	8	M6	0.098 – 0.350	30	0.350 – 0.547	35	12	564	12030	26.5	1.8
BCH502106	1 3/8	2.953	0.561	1.850	2.362	8	M6	0.098 – 0.350	30	0.350 – 0.547	35	12	621	12030	24.1	1.8
BCH502107	1 7/16	3.307	0.561	2.047	2.598	10	M6	0.098 – 0.350	30	0.350 – 0.547	35	12	811	15040	28.7	2.2
BCH502108	1 1/2	3.307	0.561	2.047	2.598	10	M6	0.098 – 0.350	30	0.350 – 0.547	35	12	846	15040	27.6	2.2
BCH502110	1 5/8	3.78	0.699	2.362	2.992	7	M8	0.098 – 0.323	35	0.323 – 0.630	45	30	1261	20710	28.0	3.5
BCH502111	1 11/16	3.78	0.699	2.362	2.992	7	M8	0.098 – 0.323	35	0.323 – 0.630	45	30	1310	20710	27.0	3.5
BCH502112	1 3/4	3.78	0.699	2.362	2.992	7	M8	0.098 – 0.323	35	0.323 – 0.630	45	30	1358	20710	26.0	3.5
BCH502114	1 7/8	4.528	0.699	2.756	3.386	8	M8	0.098 – 0.323	35	0.323 – 0.630	45	30	1663	23650	27.7	5.3
BCH502115	1 15/16	4.528	0.699	2.756	3.386	8	M8	0.098 – 0.323	35	0.323 – 0.630	45	30	1719	23650	26.8	5.1
BCH502200	2	4.528	0.699	2.756	3.386	8	M8	0.098 – 0.323	35	0.323 – 0.630	45	30	1774	23650	26.0	5.1
BCH502202	2 1/8	4.528	0.699	2.756	3.386	8	M8	0.098 – 0.323	35	0.323 – 0.630	45	30	1885	23650	24.5	4.9
BCH502203	2 3/16	4.528	0.699	2.756	3.386	8	M8	0.098 – 0.323	35	0.323 – 0.630	45	30	1940	23650	23.8	4.9
BCH502204	2 1/4	5.433	0.797	3.268	4.016	8	M10	0.098 – 0.335	40	0.335 – 0.630	50	60	3198	37900	32.5	8.6
BCH502206	2 3/8	5.433	0.797	3.268	4.016	8	M10	0.098 – 0.335	40	0.335 – 0.630	50	60	3375	37900	30.7	8.4
BCH502207	2 7/16	5.433	0.797	3.268	4.016	8	M10	0.098 – 0.335	40	0.335 – 0.630	50	60	3464	37900	29.9	8.4
BCH502208	2 1/2	5.433	0.797	3.268	4.016	8	M10	0.098 – 0.335	40	0.335 – 0.630	50	60	3553	37900	29.1	8.2
BCH502209	2 9/16	5.433	0.797	3.268	4.016	8	M10	0.098 – 0.335	40	0.335 – 0.630	50	60	3642	37900	28.4	8.2
BCH502210	2 5/8	6.142	0.797	3.740	4.409	9	M10	0.098 – 0.335	40	0.335 – 0.630	50	60	4197	42630	31.3	10.8
BCH502212	2 3/4	6.142	0.797	3.740	4.409	9	M10	0.098 – 0.335	40	0.335 – 0.630	50	60	4396	42630	29.9	10.6
BCH502214	2 7/8	6.142	0.797	3.740	4.409	9	M10	0.098 – 0.335	40	0.335 – 0.630	50	60	4596	42630	28.6	10.4
BCH502215	2 15/16	6.142	0.797	3.740	4.409	9	M10	0.098 – 0.335	40	0.335 – 0.630	50	60	4696	42630	28.0	10.1
BCH502300	3	6.142	0.797	3.740	4.409	9	M10	0.098 – 0.335	40	0.335 – 0.630	50	60	4796	42630	27.4	10.1

## Part Number Ordering Guide

Base Part Number	+	Screw Length (based on X)	=	Complete Part Number
BCH502110		035		BCH502110-035
3 digit whole number Always in mm 35 = 035				

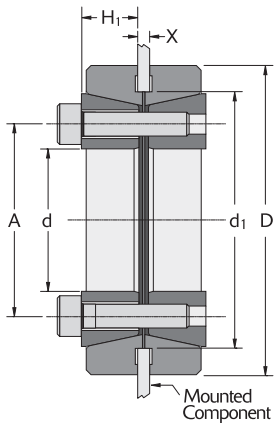
### NOTES

- B-LOC Compression Hubs exert a maximum pressure on the face of the mounted component of 250 N/mm<sup>2</sup> (36 ksi).
- B-LOC pilot diameter  $d_1$  machined to ISO tolerance h8.

Please note not all catalog items shown are stock. Some products are make-to-order (MTO) based on annual demand. Please verify with your customer service representative for current availability of the item desired.

B-LOC  
**BCH**  
**50**

**Metric**



**TOLERANCE (T<sub>L</sub>)**

Recommended bore diameter d<sub>1</sub> +.03mm / +.08mm

T<sub>L</sub> = .05mm for shafts up to 75mm

Shaft diameter machined to d +0/-T<sub>L</sub>

Parallelism machined to X +/- 0.13mm

### BCH50 – Heavy Duty – Metric

Base Part Number	d (mm)	D (mm)	H <sub>1</sub> (mm)	A (mm)	d <sub>1</sub> (mm)	Locking Screws		Mounted Component Thickness (X)				M <sub>a</sub>	M <sub>t</sub>	Th	P <sub>s</sub>	Ship Weight (kg)		
								Range 1		Range 2							Maximum Transmitted	
								X (mm)	Screw Length 1 (mm)	X (mm)	Screw Length 2 (mm)						Torque (Nm)	Thrust (kN)
BCH501012	12	47	9.8	25	37.0	5	M5	2.5 – 5.0	20	5.0 – 10.0	25	10	132	22.1	310	0.3		
BCH501014	14	47	9.8	25	37.0	5	M5	2.5 – 5.0	20	5.0 – 10.0	25	10	155	22.1	266	0.2		
BCH501015	15	47	9.8	25	37.0	5	M5	2.5 – 5.0	20	5.0 – 10.0	25	10	166	22.1	248	0.2		
BCH501018	18	52	9.8	30	42.0	6	M5	2.5 – 5.0	20	5.0 – 10.0	25	10	239	26.5	248	0.3		
BCH501019	19	52	9.8	30	42.0	6	M5	2.5 – 5.0	20	5.0 – 10.0	25	10	252	26.5	235	0.3		
BCH501020	20	52	9.8	30	42.0	6	M5	2.5 – 5.0	20	5.0 – 10.0	25	10	265	26.5	223	0.3		
BCH501022	22	58	11.8	35.5	48.0	6	M5	2.5 – 8.0	25	8.0 – 13.0	30	10	302	27.4	175	0.4		
BCH501024	24	58	11.8	35.5	48.0	6	M5	2.5 – 8.0	25	8.0 – 13.0	30	10	329	27.4	160	0.4		
BCH501025	25	58	11.8	35.5	48.0	6	M5	2.5 – 8.0	25	8.0 – 13.0	30	10	342	27.4	154	0.4		
BCH501028	28	65	11.8	40.5	54.0	8	M5	2.5 – 8.0	25	8.0 – 13.0	30	10	511	36.5	183	0.5		
BCH501030	30	65	11.8	40.5	54.0	8	M5	2.5 – 8.0	25	8.0 – 13.0	30	10	548	36.5	171	0.5		
BCH501032	32	75	14.3	47	60.0	8	M6	2.5 – 8.9	30	8.9 – 13.9	35	16	771	48.2	181	0.8		
BCH501035	35	75	14.3	47	60.0	8	M6	2.5 – 8.9	30	8.9 – 13.9	35	16	843	48.2	166	0.8		
BCH501038	38	84	14.3	52	66.0	10	M6	2.5 – 8.9	30	8.9 – 13.9	35	16	1145	60.2	191	1		
BCH501040	40	84	14.3	52	66.0	10	M6	2.5 – 8.9	30	8.9 – 13.9	35	16	1205	60.2	181	0.9		
BCH501042	42	96	17.8	60	76.0	7	M8	2.5 – 8.2	35	8.2 – 16.0	45	41	1740	82.9	190	1.6		
BCH501045	45	96	17.8	60	76.0	7	M8	2.5 – 8.2	35	8.2 – 16.0	45	41	1864	82.9	177	1.6		
BCH501048	48	115	17.8	70	86.0	8	M8	2.5 – 8.2	35	8.2 – 16.0	45	41	2273	94.7	190	2.4		
BCH501050	50	115	17.8	70	86.0	8	M8	2.5 – 8.2	35	8.2 – 16.0	45	41	2367	94.7	182	2.3		
BCH501055	55	115	17.8	70	86.0	8	M8	2.5 – 8.2	35	8.2 – 16.0	45	41	2604	94.7	166	2.2		
BCH501060	60	138	20.3	83	102.0	8	M10	2.5 – 8.5	40	8.5 – 16.0	50	81	4551	152	213	3.8		
BCH501065	65	138	20.3	83	102.0	8	M10	2.5 – 8.5	40	8.5 – 16.0	50	81	4930	152	197	3.7		
BCH501070	70	156	20.3	95	112.0	9	M10	2.5 – 8.5	40	8.5 – 16.0	50	81	5973	171	205	4.8		
BCH501075	75	156	20.3	95	112.0	9	M10	2.5 – 8.5	40	8.5 – 16.0	50	81	6400	171	192	4.6		

**Contact Technical Services:**

- Larger and smaller bore sizes available upon request
- Larger mounted component thickness (outside of X Ranges 1 and 2) can be easily accommodated. Fully-threaded screws are required for mounted component thicknesses larger than X Range 2.
- Fenner Industrial Motion can engineer a custom B-LOC Compression Hub to meet your needs.
- Email: [AE@fenner.com](mailto:AE@fenner.com)

Please note not all catalog items shown are stock. Some products are make-to-order (MTO) based on annual demand. Please verify with your customer service representative for current availability of the item desired.

# B-LOC Shrink Discs Engineering Data

## DESIGN FEATURES

External locking devices for keyless frictional shaft/hub connections on shafts from 5/8" to 40" diameter, B-LOC Shrink Discs...

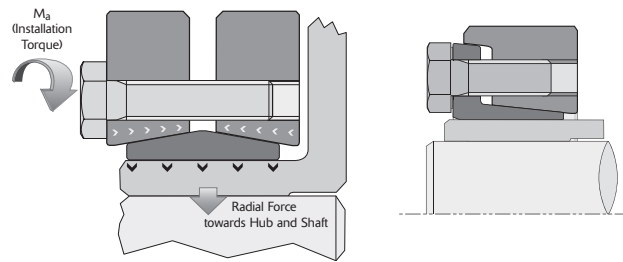
- Provide a high capacity interference fit with all the positive features of conventional interference fits, but without their assembly and disassembly problems.
- Offer extremely concentric and well-balanced connections, ideal for high-speed applications.
- Permit simple axial positioning and angular timing.
- Are available in standard, light, and heavy-duty series to suit any application.

## WORKING PRINCIPLE

B-LOC Shrink Discs provide a high-ratio conversion of screw clamp loads into radial contact pressures when the tapered collars are pulled together by tightening of the integrated high-strength locking screws. These radial contact pressures in turn accomplish the following:

1. Contract the inner ring and hub to close the clearance between shaft and hub bore.
2. Generate a defined shaft/hub contact pressure for a high capacity mechanical interference fit.

This frictional bond transmits torque, bending and/or thrust loads directly from the hub to the shaft; the shrink disc itself does not carry any torque or thrust load.



## TORQUE

$M_t$  = rated torque capacity of one B-LOC Shrink Disc with all screws tightened to specified torque  $M_a$  as listed in specifications, based on a coefficient of friction  $\mu = 0.15$  and specified tolerances and clearances. Torque capacities for Half Shrink Discs =  $\frac{M_t}{2}$

- Torque capacities for connections using shaft diameters between the minimum and maximum sizes listed can be approximated through interpolation.
- Transmissible torque decreases if tolerances and/or clearances are larger than specified; or if hollow shafts with bores exceeding approximately 35% of shaft diameter are used.

## THRUST

$T_h$  = transmissible thrust, determined by using the following equation:

$$T_h = \frac{2 \times M_t}{d}$$

where:  $d$  = shaft diameter

$M_t$  = rated torque capacity

## TORQUE AND THRUST COMBINED

Simultaneous transmission of torque and thrust requires calculating a resultant torque:

$$M_{t_{res}} = \sqrt{T^2 + \left(\frac{F \times d}{2}\right)^2}$$

where:  $T$  = peak drive torque

$F$  = peak thrust load

$d$  = shaft diameter

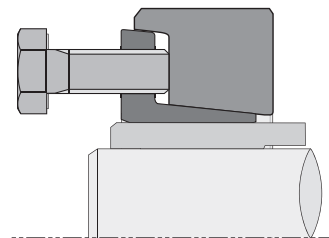
Select a unit where  $M_t \geq M_{t_{res}}$

## BENDING MOMENTS

Shrink discs will generally transmit a continuous bending moment equal to 25% of rated torque capacity  $M_t$ .

## RELEASABILITY

Since the tapers of a B-LOC Shrink Disc are self-releasing and stresses from radial contractions of the hub are well within elastic limits, loosening the locking screws results in hub expansion back to its original dimensions, thereby restoring fit clearance for simple disassembly. The SD40 is manufactured with self-releasing tapers, however, it is possible the outer ring may need disengaging from the inner ring. This can be easily done by loosening the bolts in sequence, transferring the appropriate number of bolts over to the threaded back-off holes in the face of the shrink disc and progressively tightening these bolts until the shrink disc becomes loose. The hub and shaft will return to their original fit clearances.



## MATERIAL

Shrink disc inner rings are manufactured from high-carbon steel. Outer rings are made from forged and heat treated alloy steel.

## LUBRICANTS

Shrink discs are supplied with Molybdenum Disulphide based lubricant applied to the tapers and to the locking screw threads and head contact areas.

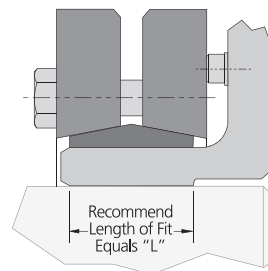
## SHAFT AND HUB MATERIAL

Listed specifications assume shaft and hub material with a yield point of at least 45 ksi (310 N/mm<sup>2</sup>). Cast iron hubs are well suited for compressive stresses exerted by B-LOC Shrink Discs. However, a lower torsional hub strength generally requires the selection of a shrink disc at least one size larger than listed if full torque (i.e., that applicable to a steel hub) is to be transmitted.

## LENGTH OF FIT

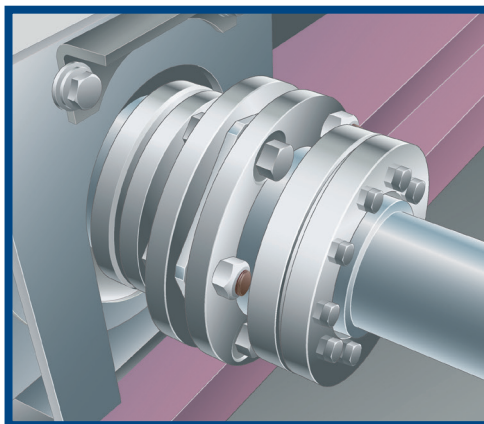
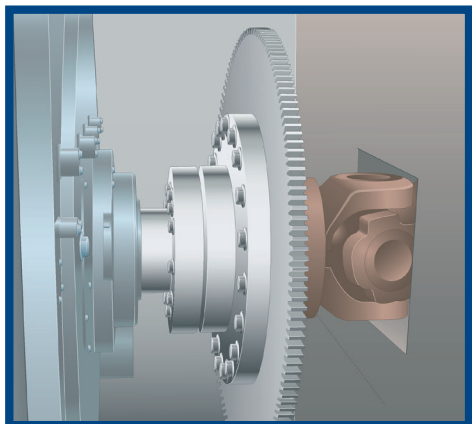
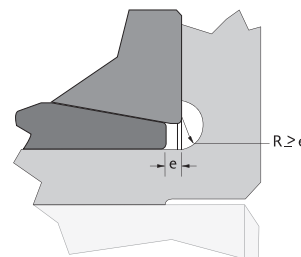
The most recent research on length of fit for a shrink disc connection\* indicates that the hub bore-to-shaft interface should be relieved using a non-toleranced clearance except for that portion directly under the shrink disc inner ring, for a fit length equal to "L" for a standard shrink disc (see illustration at right). This approach eliminates fretting corrosion between shaft and hub which can make the separation of components difficult.

\* (see Casper, Thomas: Reibkorrosionsverhalten von Spänelementverbindungen - Aachen: Mainz, 1999)



## LOCATING AGAINST HUB FACE

In applications subjected to reversing bending moments, we recommend the configuration at right which requires a hub undercut where  $R \geq e$  for smooth transition.

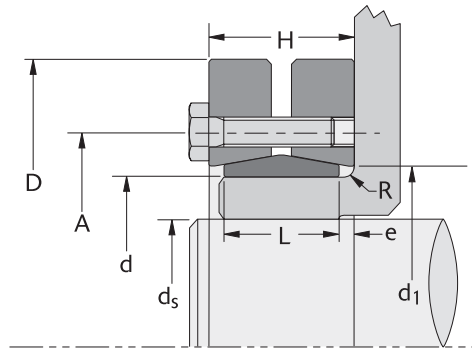


# B-LOC Shrink Discs

B-LOC  
Shrink Disc  
**SD<sup>10</sup>**  
Inch



Metric hex head locking screws  
DIN 931 grade 10.9  
(See  $M_a$  for install torque).



See Table 1 for maximum diametrical clearance between shaft and hub bore.

## SD10 — Standard Duty

Part Number	Size	SD bore (Hub OD)		Shaft Diameter Range		Locking Screws		$M_a$ Install Torque (ft lb)	$M_t$ Max. Transmitted Torque		A (inch)	D (inch)	L (inch)	H (inch)	e (inch)	$d_1$ (inch)	R (inch)	Ship wt (lb)
		d (inch)	T <sub>Ld</sub> (inch)	ds-MIN (inch)	ds-MAX (inch)	Qty	Size		ds-MIN (ft lb)	ds-MAX (ft lb)								
		B0241	24-10	0.945	+ 0 / -0.002	0.625	0.774		6	M5 x 16								
B0301	30-10	1.181	+ 0 / -0.002	0.750	0.967	7	M5 x 18	3.6	177	407	1.732	2.36	0.629	0.79	0.081	1.259	1/16	0.7
B0361	36-10	1.417	+ 0 / -0.002	0.875	1.161	5	M6 x 20	8.7	315	666	2.047	2.83	0.700	0.87	0.085	1.496	1/16	0.9
B0441	44-10	1.732	+ 0 / -0.002	1.125	1.419	7	M6 x 20	8.7	683	1198	2.402	3.15	0.787	0.94	0.077	1.850	1/16	1.4
B0501	50-10	1.969	+ 0 / -0.002	1.375	1.612	8	M6 x 22	8.7	964	1565	2.756	3.54	0.866	1.02	0.077	2.086	1/16	1.8
B0551	55-10	2.165	+ 0 / -0.002	1.500	1.773	8	M6 x 25	8.7	1014	1707	2.953	3.94	0.905	1.14	0.118	2.283	3/32	2.4
B0621	62-10	2.441	+ 0 / -0.002	1.750	1.999	10	M6 x 25	8.7	1718	2375	3.386	4.33	0.905	1.14	0.118	2.598	3/32	2.9
B0681	68-10	2.677	+ 0 / -0.002	1.875	2.193	10	M6 x 25	8.7	1760	2606	3.386	4.53	0.905	1.14	0.118	2.834	3/32	3
B0751	75-10	2.953	+ 0 / -0.002	2.125	2.418	7	M8 x 25	22	2792	4057	3.937	5.43	0.984	1.22	0.118	3.110	1/8	3.8
B0801	80-10	3.150	+ 0 / -0.002	2.375	2.580	7	M8 x 25	22	3416	4331	3.937	5.71	0.984	1.22	0.118	3.307	1/8	4.2
B0901	90-10	3.543	+ 0 / -0.004	2.500	2.902	10	M8 x 30	22	4751	7139	4.488	6.10	1.181	1.49	0.155	3.700	1/8	7
H0951	95-10	3.740	+ 0 / -0.004	2.750	3.063	12	M8 x 30	22	6832	9108	4.882	6.69	1.338	1.69	0.176	4.094	1/8	10
B1001	100-10	3.937	+ 0 / -0.004	2.875	3.224	12	M8 x 35	22	7059	9586	4.882	6.69	1.338	1.69	0.176	4.094	1/8	10
B1101	110-10	4.331	+ 0 / -0.004	3.125	3.547	9	M10 x 40	44	9013	12602	5.354	7.28	1.535	1.93	0.198	4.488	1/8	13
B1251	125-10	4.921	+ 0 / -0.004	3.500	4.031	12	M10 x 40	44	13710	19540	6.299	8.46	1.653	2.04	0.194	5.275	1/8	18
B1401	140-10	5.512	+ 0 / -0.004	4.000	4.514	10	M12 x 45	74	19648	26440	6.890	9.06	1.811	2.28	0.235	5.708	3/16	23
B1551	155-10	6.102	+ 0 / -0.004	4.500	4.998	12	M12 x 50	74	27515	34049	7.559	10.36	1.968	2.44	0.236	6.496	3/16	31
H1651	165-10	6.496	+ 0 / -0.004	4.875	5.320	8	M16 x 55	185	37737	47135	8.268	11.42	2.204	2.67	0.233	6.889	3/16	49
B1751	175-10	6.890	+ 0 / -0.004	5.250	5.643	8	M16 x 55	185	41620	50005	8.661	11.81	2.204	2.67	0.233	7.283	3/16	50
B1851	185-10	7.283	+ 0 / -0.004	5.625	5.965	10	M16 x 65	185	56802	65965	9.291	12.99	2.795	3.34	0.273	7.677	3/16	82
H1951	195-10	7.677	+ 0 / -0.004	5.875	6.288	12	M16 x 65	185	71908	84926	9.685	13.78	2.795	3.34	0.273	8.110	3/16	91
B2001	200-10	7.874	+ 0 / -0.004	6.250	6.449	12	M16 x 65	185	80674	87096	9.685	13.78	2.795	3.34	0.273	8.110	3/16	90
B2201	220-10	8.661	+ 0 / -0.004	6.375	7.094	15	M16 x 80	185	92230	116425	10.630	14.57	3.464	4.06	0.298	8.897	1/4	119
B2401	240-10	9.449	+ 0 / -0.004	7.000	7.739	12	M20 x 80	362	130645	161818	11.614	15.95	3.622	4.22	0.299	9.763	1/4	148
B2601	260-10	10.236	+ 0 / -0.004	7.625	8.383	14	M20 x 90	362	162198	205263	12.638	16.93	4.055	4.72	0.318	10.551	1/4	181
H2801	280-10	11.024	+ 0 / -0.005	8.375	9.028	16	M20 x 100	362	210581	253378	13.622	18.11	4.488	5.20	0.356	11.338	5/16	225
H3001	300-10	11.811	+ 0 / -0.005	9.000	9.673	18	M20 x 100	362	257278	306749	14.331	19.10	4.803	5.52	0.359	12.125	5/16	260
H3201	320-10	12.598	+ 0 / -0.005	9.625	10.318	20	M20 x 100	362	310492	359728	15.197	20.48	4.803	5.52	0.359	12.913	5/16	288
H3401	340-10	13.386	+ 0 / -0.005	10.250	10.963	24	M20 x 110	362	392088	462391	16.063	22.44	5.276	6.14	0.432	13.700	5/16	409
H3501	350-10	13.780	+ 0 / -0.005	10.875	11.285	24	M20 x 110	362	432685	474097	17.008	22.84	5.511	6.30	0.395	14.488	5/16	429
H3601	360-10	14.173	+ 0 / -0.005	11.250	11.608	24	M20 x 110	362	451405	487702	17.008	23.23	5.511	6.30	0.395	14.488	5/16	449
H3801	380-10	14.961	+ 0 / -0.005	11.500	12.253	20	M24 x 120	620	535005	623051	18.031	25.40	5.669	6.46	0.396	15.276	5/16	526
H3901	390-10	15.354	+ 0 / -0.005	12.250	12.575	21	M24 x 120	620	633184	673847	18.425	25.99	5.669	6.46	0.396	15.629	3/8	572
H4201	420-10	16.535	+ 0 / -0.006	12.500	13.543	24	M24 x 130	620	685493	829666	19.843	27.17	6.456	7.25	0.397	16.929	3/8	630
H4401	440-10	17.323	+ 0 / -0.006	13.500	14.187	24	M24 x 130	620	768743	852536	20.748	29.53	6.969	7.95	0.491	17.716	3/8	835
H4601	460-10	18.110	+ 0 / -0.006	14.125	14.832	28	M24 x 130	620	934194	1051580	21.535	30.32	6.969	7.95	0.491	18.425	3/8	924
H4801	480-10	18.898	+ 0 / -0.006	14.750	15.477	30	M24 x 150	620	1047086	1176357	22.441	31.50	7.401	8.39	0.495	19.291	1/2	1110
H5001	500-10	19.685	+ 0 / -0.006	15.375	16.122	24	M27 x 150	922	1169590	1310148	23.228	33.46	7.401	8.39	0.495	19.999	1/2	1265

Table 1

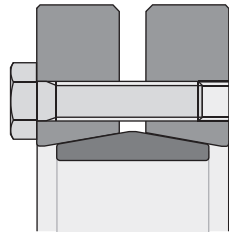
### For Series SD10, SD20 and SD30

Shaft Sizes (inch)		Maximum Diametrical Clearance Between Shaft and Hub Bore
>	≤	
	1 1/8	0.0010
1 1/8	1 15/16	0.0015
1 15/16	4 3/4	0.0020
4 3/4	7	0.0030
7	10	0.0040
10	14	0.0050
14		0.0060

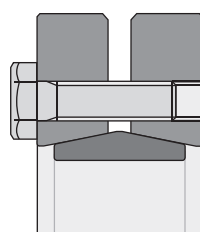
Notes:

- Inner rings of all shrink discs are supplied with one lengthwise slit.
- Shrink discs are available for shafts up to 40" diameter and in a variety of special designs.
- Maximum shaft sizes listed for Shrink Disc Series SD10 and SD30 reflect equal section moduli of shaft and hub (maximum shaft diameter =  $\frac{d}{1.221}$ ).
- Larger shrink discs for shafts up to 40" diameter are available on request.

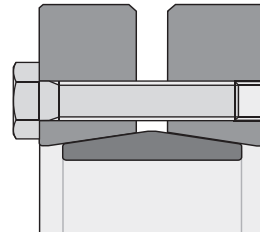
Please note not all catalog items shown are stock. Some products are make-to-order (MTO) based on annual demand. Please verify with your customer service representative for current availability of the item desired.



SD10  
Standard Duty



SD20  
Light Duty



SD30  
Heavy Duty

## SD10 — Standard Duty

Part Number	Size	SD bore (Hub OD)	Hub OD Tolerance	Shaft Diameter Range		Locking Screws		Ma	Mt		A (mm)	D (mm)	L (mm)	H (mm)	e (mm)	d <sub>1</sub> (mm)	R (mm)	Ship wt (kg)
		d (mm)	T <sub>Ld</sub> (mm)	ds-MIN (mm)	ds-MAX (mm)	Qty	Size	Install Torque (Nm)	Max. Transmitted Torque	ds-MIN (Nm)								
B0241	24-10	24	+ 0 / -0.05	16	20	6	M5 x 16	5	187	377	36	50	14.0	18.0	2	26	1.6	0.2
B0301	30-10	30	+ 0 / -0.05	19	25	7	M5 x 18	5	240	552	44	60	16.0	20.0	2	32	1.6	0.3
B0361	36-10	36	+ 0 / -0.05	22	29	5	M6 x 20	12	427	903	52	72	17.8	22.0	2	38	1.6	0.4
B0441	44-10	44	+ 0 / -0.05	29	36	7	M6 x 20	12	926	1624	61	80	20.0	24.0	2	47	1.6	0.6
B0501	50-10	50	+ 0 / -0.05	35	41	8	M6 x 22	12	1307	2122	70	90	22.0	26.0	2	53	1.6	0.8
B0551	55-10	55	+ 0 / -0.05	38	45	8	M6 x 25	12	1375	2315	75	100	23.0	29.0	3	58	2.4	1.1
B0621	62-10	62	+ 0 / -0.05	44	51	10	M6 x 25	12	2330	3221	86	110	23.0	29.0	3	66	2.4	1.3
B0681	68-10	68	+ 0 / -0.05	48	56	10	M6 x 25	12	2387	3534	86	115	23.0	29.0	3	72	2.4	1.4
B0751	75-10	75	+ 0 / -0.05	54	61	7	M8 x 25	30	3786	5501	100	138	25.0	31.0	3	79	3.2	1.7
B0801	80-10	80	+ 0 / -0.05	60	66	7	M8 x 25	30	4632	5873	100	145	25.0	31.0	3	84	3.2	1.9
B0901	90-10	90	+ 0 / -0.10	64	74	10	M8 x 30	30	6442	9680	114	155	30.0	38.0	4	94	3.2	3.2
H0951	95-10	95	+ 0 / -0.10	70	78	12	M8 x 30	30	9264	12350	124	170	34.0	43.0	4	104	3.2	4.5
B1001	100-10	100	+ 0 / -0.10	73	82	12	M8 x 35	30	9572	12999	124	170	34.0	43.0	4	104	3.2	4.5
B1101	110-10	110	+ 0 / -0.10	79	90	9	M10 x 40	60	12222	17088	136	185	39.0	49.0	5	114	3.2	5.9
B1251	125-10	125	+ 0 / -0.10	89	102	12	M10 x 40	60	18591	26496	160	215	42.0	52.0	5	134	3.2	8.2
B1401	140-10	140	+ 0 / -0.10	102	115	10	M12 x 45	100	26643	35853	175	230	46.0	58.0	6	145	4.8	10.4
B1551	155-10	155	+ 0 / -0.10	114	127	12	M12 x 50	100	37310	46170	192	263	50.0	62.0	6	165	4.8	14.1
H1651	165-10	165	+ 0 / -0.10	124	135	8	M16 x 55	251	51171	63915	210	290	56.0	68.0	6	175	4.8	22.2
B1751	175-10	175	+ 0 / -0.10	133	143	8	M16 x 55	251	56437	67807	220	300	56.0	68.0	6	185	4.8	22.7
B1851	185-10	185	+ 0 / -0.10	143	152	10	M16 x 65	251	77024	89449	236	330	71.0	85.0	7	195	4.8	37.2
H1951	195-10	195	+ 0 / -0.10	149	160	12	M16 x 65	251	97507	115160	246	350	71.0	85.0	7	206	4.8	41.3
B2001	200-10	200	+ 0 / -0.10	159	164	12	M16 x 65	251	109394	118102	246	350	71.0	85.0	7	206	4.8	40.8
B2201	220-10	220	+ 0 / -0.10	162	180	15	M16 x 80	251	125064	157872	270	370	88.0	103.0	8	226	6.4	54.0
B2401	240-10	240	+ 0 / -0.10	178	197	12	M20 x 80	491	177155	219425	295	405	92.0	107.0	8	248	6.4	67.1
B2601	260-10	260	+ 0 / -0.10	194	213	14	M20 x 90	491	219940	278337	321	430	103.0	120.0	8	268	6.4	82.1
H2801	280-10	280	+ 0 / -0.13	213	229	16	M20 x 100	491	285548	343581	346	460	114.0	132.0	9	288	7.9	102.1
H3001	300-10	300	+ 0 / -0.13	229	246	18	M20 x 100	491	348869	415952	364	485	122.0	140.0	9	308	7.9	117.9
H3201	320-10	320	+ 0 / -0.13	244	262	20	M20 x 100	491	421027	487791	386	520	122.0	140.0	9	328	7.9	130.6
H3401	340-10	340	+ 0 / -0.13	260	278	24	M20 x 110	491	531671	627002	408	570	134.0	156.0	11	348	7.9	185.5
H3501	350-10	350	+ 0 / -0.13	276	287	24	M20 x 110	491	586721	642876	432	580	140.0	160.0	10	368	7.9	194.6
H3601	360-10	360	+ 0 / -0.13	286	295	24	M20 x 110	491	612105	661324	432	590	140.0	160.0	10	368	7.9	203.7
H3801	380-10	380	+ 0 / -0.13	292	311	20	M24 x 120	841	725467	844857	458	645	144.0	164.0	10	388	7.9	238.6
H3901	390-10	390	+ 0 / -0.13	311	319	21	M24 x 120	841	858598	913737	468	660	144.0	164.0	10	397	9.5	259.5
H4201	420-10	420	+ 0 / -0.15	318	344	24	M24 x 130	841	929529	1125027	504	690	164.0	184.0	10	430	9.5	285.8
H4401	440-10	440	+ 0 / -0.15	343	360	24	M24 x 130	841	1042416	1156039	527	750	177.0	202.0	12	450	9.5	378.7
H4601	460-10	460	+ 0 / -0.15	359	377	28	M24 x 130	841	1266767	1425942	547	770	177.0	202.0	12	468	9.5	419.1
H4801	480-10	480	+ 0 / -0.15	375	393	30	M24 x 150	841	1419849	1595140	570	800	188.0	213.0	13	490	12.7	503.5
H5001	500-10	500	+ 0 / -0.15	391	409	24	M27 x 150	1250	1585964	1776561	590	850	188.0	213.0	13	508	12.7	573.8

Table 1

## For Series SD10, SD20 and SD30

Shaft Sizes (mm)		Maximum Diametrical Clearance Between Shaft and Hub Bore
>	≤	
	30	0.025
30	50	0.038
50	120	0.051
120	180	0.076
180	255	0.102
255	355	0.127
355		0.152

Please note not all catalog items shown are stock. Some products are make-to-order (MTO) based on annual demand. Please verify with your customer service representative for current availability of the item desired.

# B-LOC Shrink Discs

B-LOC  
Shrink Disc  
**SD<sup>20</sup>**

Inch  
**SD20 — Light Duty**

Part Number	Size	SD bore (Hub OD)		Shaft Diameter Range		Locking Screws		M <sub>a</sub>	M <sub>t</sub>		A (inch)	D (inch)	L (inch)	H (inch)	e (inch)	d <sub>1</sub> (inch)	R (inch)	Ship wt (lb)
		d (inch)	T <sub>1</sub> d (inch)	ds-MIN (inch)	ds-MAX (inch)	Qty	Size	Install Torque (ft lb)	Max. Transmitted Torque									
								ds-MIN (ft lb)	ds-MAX (ft lb)									
H1252	125-20	4.921	+ 0 / -0.004	3.625	4.125	8	M10 x 40	44	9380	13343	6.220	7.28	1.535	2.01	0.238	5.118	1/8	13
H1402	140-20	5.512	+ 0 / -0.004	4.250	5.000	9	M10 x 40	44	13691	20328	6.889	8.67	1.535	2.01	0.238	5.669	1/8	18
H1552	155-20	6.102	+ 0 / -0.004	5.000	5.500	11	M10 x 40	44	21144	27447	7.559	9.65	1.535	2.01	0.238	6.259	1/8	22
H1652	165-20	6.496	+ 0 / -0.004	5.375	5.750	10	M12 x 50	74	30652	36677	8.267	10.24	1.811	2.44	0.315	6.653	3/16	31
H1752	175-20	6.890	+ 0 / -0.004	5.625	6.125	11	M12 x 50	74	34940	43588	8.661	10.83	1.811	2.44	0.315	7.047	3/16	35
H1852	185-20	7.283	+ 0 / -0.004	6.000	6.500	12	M12 x 50	74	41643	51035	8.858	11.62	1.811	2.44	0.315	7.440	3/16	44
H1952	195-20	7.677	+ 0 / -0.004	6.500	7.000	15	M12 x 60	74	58979	71073	9.330	12.40	2.204	2.84	0.318	7.834	3/16	60
H2202	220-20	8.661	+ 0 / -0.004	7.000	7.875	10	M16 x 70	185	76454	100895	10.433	13.59	2.598	3.31	0.356	8.818	3/16	77
H2402	240-20	9.449	+ 0 / -0.004	7.875	8.500	12	M16 x 70	185	107011	129864	11.417	14.57	2.598	3.31	0.356	9.606	1/4	97
H2602	260-20	10.236	+ 0 / -0.004	8.625	9.250	14	M16 x 70	185	139939	166618	12.204	15.55	2.834	3.63	0.398	10.433	1/4	106
H2802	280-20	11.024	+ 0 / -0.005	9.000	9.875	16	M16 x 75	185	158724	200396	13.110	16.74	3.307	4.10	0.397	11.220	1/4	132
H3002	300-20	11.811	+ 0 / -0.005	9.875	10.625	18	M16 x 75	185	229935	271288	14.094	18.11	3.307	4.10	0.397	12.007	1/4	165
H3202	320-20	12.598	+ 0 / -0.005	10.500	11.375	20	M16 x 75	185	238939	292045	14.881	19.49	3.307	4.18	0.437	12.795	1/4	185
H3402	340-20	13.386	+ 0 / -0.005	11.375	12.000	21	M16 x 75	185	281000	320857	15.826	21.07	3.307	4.18	0.437	13.582	1/4	220
H3602	360-20	14.173	+ 0 / -0.005	11.875	12.625	16	M20 x 90	362	341876	398029	16.653	21.85	3.937	4.81	0.437	14.370	5/16	275
H3802	380-20	14.961	+ 0 / -0.005	12.500	13.000	18	M20 x 100	362	403340	444630	17.401	23.03	4.409	5.35	0.471	15.236	5/16	301
H3902	390-20	15.354	+ 0 / -0.005	12.625	13.750	20	M20 x 100	362	446171	549086	17.795	23.43	4.409	5.36	0.476	15.629	5/16	344
H4202	420-20	16.535	+ 0 / -0.006	13.750	14.625	22	M20 x 100	362	544495	625817	19.094	24.81	4.724	5.67	0.473	16.810	5/16	407
H4602	460-20	18.110	+ 0 / -0.006	14.625	16.375	28	M20 x 110	362	704454	927856	20.747	26.97	5.196	6.22	0.512	18.425	3/8	517
H5002	500-20	19.685	+ 0 / -0.006	16.250	17.375	30	M20 x 120	362	860127	1014952	22.519	29.53	5.984	7.01	0.513	19.999	3/8	704

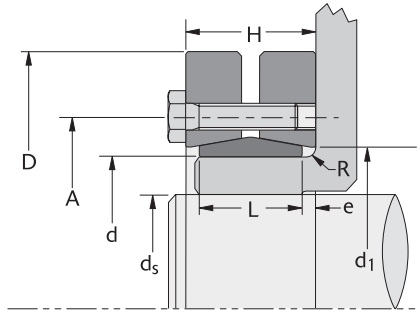
B-LOC  
Shrink Disc  
**SD<sup>20</sup>**

Metric  
**SD20 — Light Duty**

Part Number	Size	SD bore (Hub OD)		Shaft Diameter Range		Locking Screws		M <sub>a</sub>	M <sub>t</sub>		A (mm)	D (mm)	L (mm)	H (mm)	e (mm)	d <sub>1</sub> (mm)	R (mm)	Ship wt (kg)
		d (mm)	T <sub>1</sub> d (mm)	ds-MIN (mm)	ds-MAX (mm)	Qty	Size	Install Torque (Nm)	Max. Transmitted Torque									
								ds-MIN (Nm)	ds-MAX (Nm)									
H1252	125-20	125	+ 0 / -0.10	92	105	8	M10 x 40	60	12719	18093	158	185	39	51	6	130	3.2	5.9
H1402	140-20	140	+ 0 / -0.10	108	127	9	M10 x 40	60	18565	27565	175	220	39	51	6	144	3.2	8.2
H1552	155-20	155	+ 0 / -0.10	127	140	11	M10 x 40	60	28671	37218	192	245	39	51	6	159	3.2	10.0
H1652	165-20	165	+ 0 / -0.10	137	146	10	M12 x 50	100	41564	49734	210	260	46	62	8	169	4.8	14.1
H1752	175-20	175	+ 0 / -0.10	143	156	11	M12 x 50	100	47379	59105	220	275	46	62	8	179	4.8	15.9
H1852	185-20	185	+ 0 / -0.10	152	165	12	M12 x 50	100	56468	69203	225	295	46	62	8	189	4.8	20.0
H1952	195-20	195	+ 0 / -0.10	165	178	15	M12 x 60	100	79976	96375	237	315	56	72	8	199	4.8	27.2
H2202	220-20	220	+ 0 / -0.10	178	200	10	M16 x 70	251	103672	136814	265	345	66	84	9	224	4.8	34.9
H2402	240-20	240	+ 0 / -0.10	200	216	12	M16 x 70	251	145107	176096	290	370	66	84	9	244	6.4	44.0
H2602	260-20	260	+ 0 / -0.10	219	235	14	M16 x 70	251	189757	225934	310	395	72	92	10	265	6.4	48.1
H2802	280-20	280	+ 0 / -0.13	229	251	16	M16 x 75	251	215230	271737	333	425	84	104	10	285	6.4	59.9
H3002	300-20	300	+ 0 / -0.13	251	270	18	M16 x 75	251	311792	367867	358	460	84	104	10	305	6.4	74.8
H3202	320-20	320	+ 0 / -0.13	267	289	20	M16 x 75	251	324001	396013	378	495	84	106	11	325	6.4	83.9
H3402	340-20	340	+ 0 / -0.13	289	305	21	M16 x 75	251	381036	435082	402	535	84	106	11	345	6.4	99.8
H3602	360-20	360	+ 0 / -0.13	302	321	16	M20 x 90	491	463584	539727	423	555	100	122	11	365	7.9	124.7
H3802	380-20	380	+ 0 / -0.13	318	330	18	M20 x 100	491	546929	602918	442	585	112	136	12	387	7.9	136.5
H3902	390-20	390	+ 0 / -0.13	321	349	20	M20 x 100	491	605008	744561	452	595	112	136	12	397	7.9	156.0
H4202	420-20	420	+ 0 / -0.15	349	371	22	M20 x 100	491	738335	848608	485	630	120	144	12	427	7.9	184.6
H4602	460-20	460	+ 0 / -0.15	371	416	28	M20 x 110	491	955240	1258173	527	685	132	158	13	468	9.5	234.5
H5002	500-20	500	+ 0 / -0.15	413	441	30	M20 x 120	491	1166332	1376275	572	750	152	178	13	508	9.5	319.3

Please note not all catalog items shown are stock. Some products are make-to-order (MTO) based on annual demand. Please verify with your customer service representative for current availability of the item desired.

B-LOC  
Shrink Disc  
**SD<sup>30</sup>**  
Inch



## SD30 — Heavy Duty

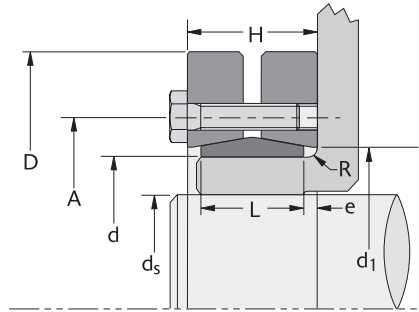
Part Number	Size	SD bore (Hub OD)		Shaft Diameter Range		Locking Screws		M <sub>a</sub> Install Torque (ft lb)	M <sub>t</sub> Max. Transmitted Torque		A (inch)	D (inch)	L (inch)	H (inch)	e (inch)	d <sub>1</sub> (inch)	R (inch)	Ship wt (lb)
		d (inch)	T <sub>L</sub> d (inch)	ds-MIN (inch)	ds-MAX (inch)	Qty	Size		ds-MIN (ft lb)	ds-MAX (ft lb)								
H0443	44-30	1.732	+ 0 / -0.002	1.125	1.419	5	M8 x 30	22	941	1653	2.598	3.35	1.102	1.34	0.119	1.890	1/16	1.4
H0503	50-30	1.969	+ 0 / -0.002	1.375	1.612	7	M8 x 35	22	1761	2749	2.874	3.74	1.181	1.54	0.180	1.984	1/16	1.8
H0553	55-30	2.165	+ 0 / -0.002	1.500	1.773	7	M8 x 35	22	1892	3023	3.071	4.13	1.181	1.54	0.180	2.323	3/32	2.4
B0623	62-30	2.441	+ 0 / -0.002	1.750	1.999	7	M8 x 35	22	2353	3244	3.346	4.53	1.181	1.54	0.180	2.598	3/32	2.9
B0683	68-30	2.677	+ 0 / -0.002	1.875	2.193	8	M8 x 35	22	2861	4173	3.622	4.72	1.181	1.54	0.180	2.835	3/32	3
B0753	75-30	2.953	+ 0 / -0.002	2.125	2.418	7	M10 x 40	44	4552	6529	4.134	5.71	1.417	1.81	0.197	3.307	1/8	3.8
B0803	80-30	3.150	+ 0 / -0.002	2.375	2.580	7	M10 x 40	44	5541	6971	4.134	5.71	1.417	1.81	0.197	3.307	1/8	4.2
B0903	90-30	3.543	+ 0 / -0.004	2.500	2.902	8	M10 x 40	44	5946	8994	4.567	6.30	1.575	1.97	0.198	3.701	1/8	7
B1003	100-30	3.937	+ 0 / -0.004	2.875	3.224	10	M10 x 45	44	9370	12700	4.961	6.69	1.732	2.13	0.199	4.094	1/8	10
H1103	110-30	4.331	+ 0 / -0.004	3.125	3.547	12	M10 x 45	44	12116	16879	5.354	7.28	1.969	2.36	0.196	4.482	1/8	17
H1253	125-30	4.921	+ 0 / -0.004	3.500	4.031	12	M12 x 50	74	20092	28393	6.299	8.47	2.126	2.60	0.237	5.157	3/16	24
B1403	140-30	5.512	+ 0 / -0.004	4.000	4.514	12	M12 x 60	74	23275	31491	6.889	9.06	2.362	2.92	0.279	5.744	3/16	29
H1553	155-30	6.102	+ 0 / -0.004	4.500	4.998	15	M12 x 60	74	34154	42273	7.795	10.36	2.598	3.15	0.276	6.496	3/16	44
H1653	165-30	6.496	+ 0 / -0.004	4.875	5.320	10	M16 x 70	185	46957	58743	8.267	11.42	2.834	3.47	0.318	6.940	3/16	57
H1753	175-30	6.890	+ 0 / -0.004	5.250	5.643	10	M16 x 70	185	51804	62320	8.661	11.82	2.834	3.47	0.318	7.322	3/16	64
H1853	185-30	7.283	+ 0 / -0.004	5.625	5.965	15	M16 x 80	185	86847	100371	9.291	12.99	3.622	4.41	0.394	7.704	3/16	104
H1953	195-30	7.677	+ 0 / -0.004	5.875	6.288	15	M16 x 80	185	89488	105820	9.685	13.78	3.622	4.41	0.394	8.102	1/4	110
H2003	200-30	7.874	+ 0 / -0.004	6.250	6.449	15	M16 x 80	185	100466	108524	9.685	13.78	3.622	4.41	0.394	8.102	1/4	110
H2203	220-30	8.661	+ 0 / -0.004	6.375	7.094	20	M16 x 90	185	123458	155750	10.629	14.57	4.488	5.28	0.396	8.901	1/4	143
B2403	240-30	9.449	+ 0 / -0.004	7.000	7.739	15	M20 x 100	362	162518	201425	11.614	15.95	4.724	5.67	0.473	9.692	1/4	192
H2603	260-30	10.236	+ 0 / -0.005	7.625	8.383	18	M20 x 110	362	207733	263252	12.637	16.93	5.354	6.30	0.473	10.511	1/4	220
H2803	280-30	11.024	+ 0 / -0.005	8.375	9.028	21	M20 x 120	362	276822	332933	13.622	18.11	5.826	6.77	0.472	11.370	5/16	291
H3003	300-30	11.811	+ 0 / -0.005	9.000	9.673	22	M20 x 120	362	313789	374371	14.330	19.10	5.984	6.93	0.473	12.177	5/16	308
H3203	320-30	12.598	+ 0 / -0.005	9.625	10.318	24	M20 x 120	362	368957	427823	15.196	20.48	6.299	7.25	0.476	12.964	5/16	363
H3403	340-30	13.386	+ 0 / -0.005	10.250	10.963	21	M24 x 130	620	489329	577963	16.535	22.44	6.929	7.88	0.476	13.724	5/16	528
H3603	360-30	14.173	+ 0 / -0.005	11.000	11.608	22	M24 x 140	620	562859	642534	17.007	23.23	7.086	8.04	0.477	14.515	3/8	550
H3903	390-30	15.354	+ 0 / -0.005	11.625	12.575	24	M24 x 140	620	628949	762028	18.425	25.99	7.401	8.35	0.475	15.609	3/8	770
H4203	420-30	16.535	+ 0 / -0.006	12.500	13.543	30	M24 x 160	620	852841	1033732	19.842	27.17	8.425	9.37	0.472	16.811	3/8	902
H4603	460-30	18.110	+ 0 / -0.006	13.625	14.832	28	M27 x 170	922	1144559	1403894	21.535	30.32	8.818	9.93	0.556	18.503	1/2	1188
H5003	500-30	19.685	+ 0 / -0.006	14.875	16.122	32	M27 x 180	922	1443359	1749331	23.622	33.47	9.685	10.79	0.552	19.999	1/2	1650

### Notes:

- Inner rings of all shrink discs are supplied with one lengthwise slit.
- Shrink discs are available for shafts up to 40" diameter and in a variety of special designs.
- Maximum shaft sizes listed for Shrink Disc Series SD10 and SD30 reflect equal section moduli of shaft and hub (maximum shaft diameter =  $\frac{d}{1.221}$ ).
- See Table 1 (bottom of page 42) for maximum diametrical clearance between shaft and hub bore.

Please note not all catalog items shown are stock. Some products are make-to-order (MTO) based on annual demand. Please verify with your customer service representative for current availability of the item desired.

B-LOC  
Shrink Disc  
**SD<sup>30</sup>**  
Metric



## SD30 — Heavy Duty

Part Number	Size	SD bore (Hub OD)		Shaft Diameter Range		Locking Screws		M <sub>a</sub>		M <sub>t</sub>		A (mm)	D (mm)	L (mm)	H (mm)	e (mm)	d <sub>1</sub> (mm)	R (mm)	Ship wt (kg)
		d (mm)	Tl d (mm)	ds-MIN (mm)	ds-MAX (mm)	Qty	Size	Install Torque (Nm)	Max. Transmitted Torque										
								ds-MIN (Nm)	ds-MAX (Nm)										
H0443	44-30	44	+ 0 / -0.05	29	36	5	M8 x 30	30	1276	2241	66	85	28	34	3	48	1.6	0.6	
H0503	50-30	50	+ 0 / -0.05	35	41	7	M8 x 35	30	2388	3728	73	95	30	39	5	50	1.6	0.8	
H0553	55-30	55	+ 0 / -0.05	38	45	7	M8 x 35	30	2566	4099	78	105	30	39	5	59	2.4	1.1	
B0623	62-30	62	+ 0 / -0.05	44	51	7	M8 x 35	30	3191	4399	85	115	30	39	5	66	2.4	1.3	
B0683	68-30	68	+ 0 / -0.05	48	56	8	M8 x 35	30	3880	5659	92	120	30	39	5	72	2.4	1.4	
B0753	75-30	75	+ 0 / -0.05	54	61	7	M10 x 40	60	6173	8853	105	145	36	46	5	84	3.2	1.7	
B0803	80-30	80	+ 0 / -0.05	60	66	7	M10 x 40	60	7514	9453	105	145	36	46	5	84	3.2	1.9	
B0903	90-30	90	+ 0 / -0.10	64	74	8	M10 x 40	60	8063	12196	116	160	40	50	5	94	3.2	3.2	
B1003	100-30	100	+ 0 / -0.10	73	82	10	M10 x 45	60	12706	17221	126	170	44	54	5	104	3.2	4.5	
H1103	110-30	110	+ 0 / -0.10	79	90	12	M10 x 45	60	16429	22888	136	185	50	60	5	114	3.2	7.7	
H1253	125-30	125	+ 0 / -0.10	89	102	12	M12 x 50	100	27245	38501	160	215	54	66	6	131	4.8	10.9	
B1403	140-30	140	+ 0 / -0.10	102	115	12	M12 x 60	100	31561	42702	175	230	60	74	7	146	4.8	13.2	
H1553	155-30	155	+ 0 / -0.10	114	127	15	M12 x 60	100	46313	57322	198	263	66	80	7	165	4.8	20.0	
H1653	165-30	165	+ 0 / -0.10	124	135	10	M16 x 70	251	63674	79656	210	290	72	88	8	176	4.8	25.9	
H1753	175-30	175	+ 0 / -0.10	133	143	10	M16 x 70	251	70246	84506	220	300	72	88	8	186	4.8	29.0	
H1853	185-30	185	+ 0 / -0.10	143	152	15	M16 x 80	251	117765	136103	236	330	92	112	10	196	4.8	47.2	
H1953	195-30	195	+ 0 / -0.10	149	160	15	M16 x 80	251	121346	143492	246	350	92	112	10	206	6.4	49.9	
H2003	200-30	200	+ 0 / -0.10	159	164	15	M16 x 80	251	136232	147159	246	350	92	112	10	206	6.4	49.9	
H2203	220-30	220	+ 0 / -0.10	162	180	20	M16 x 90	251	167409	211197	270	370	114	134	10	226	6.4	64.9	
B2403	240-30	240	+ 0 / -0.10	178	197	15	M20 x 100	491	220374	273132	295	405	120	144	12	246	6.4	87.1	
H2603	260-30	260	+ 0 / -0.13	194	213	18	M20 x 110	491	281686	356970	321	430	136	160	12	267	6.4	99.8	
H2803	280-30	280	+ 0 / -0.13	213	229	21	M20 x 120	491	375371	451457	346	460	148	172	12	289	7.9	132.0	
H3003	300-30	300	+ 0 / -0.13	229	246	22	M20 x 120	491	425498	507647	364	485	152	176	12	309	7.9	139.7	
H3203	320-30	320	+ 0 / -0.13	244	262	24	M20 x 120	491	500306	580128	386	520	160	184	12	329	7.9	164.7	
H3403	340-30	340	+ 0 / -0.13	260	278	21	M24 x 130	841	663530	783718	420	570	176	200	12	349	7.9	239.5	
H3603	360-30	360	+ 0 / -0.13	279	295	22	M24 x 140	841	763237	871276	432	590	180	204	12	369	9.5	249.5	
H3903	390-30	390	+ 0 / -0.13	295	319	24	M24 x 140	841	852855	1033310	468	660	188	212	12	396	9.5	349.3	
H4203	420-30	420	+ 0 / -0.15	318	344	30	M24 x 160	841	1156452	1401741	504	690	214	238	12	427	9.5	409.1	
H4603	460-30	460	+ 0 / -0.15	346	377	28	M27 x 170	1250	1552022	1903680	547	770	224	252	14	470	12.7	538.9	
H5003	500-30	500	+ 0 / -0.15	378	409	32	M27 x 180	1250	1957195	2372093	600	850	246	274	14	508	12.7	748.4	

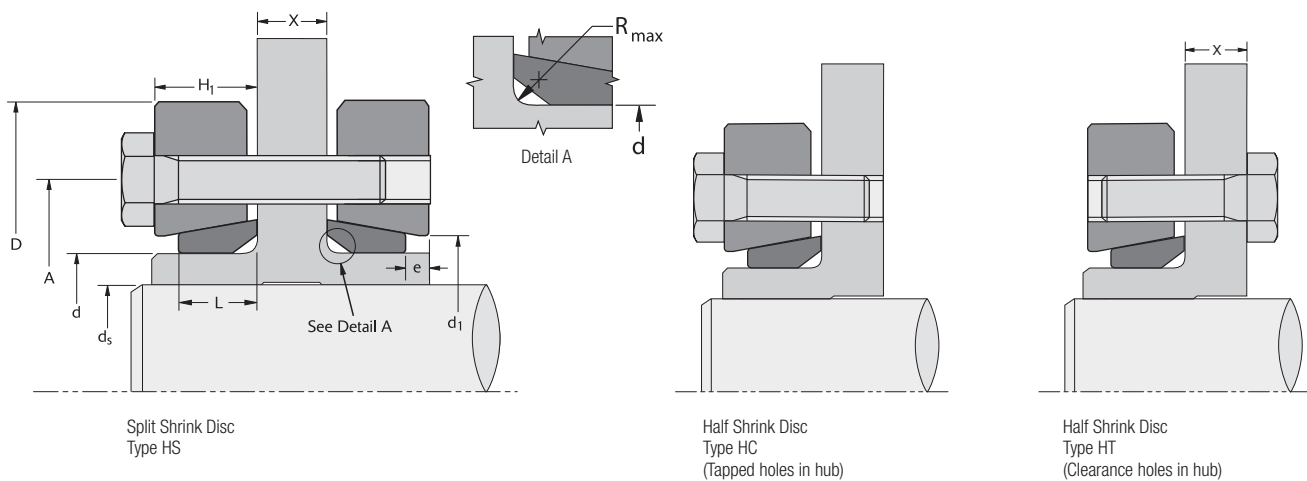
- Notes:
- Inner rings of all shrink discs are supplied with one lengthwise slit.
  - Shrink discs are available for shafts up to 40" diameter and in a variety of special designs.
  - Maximum shaft sizes listed for Shrink Disc Series SD10 and SD30 reflect equal section moduli of shaft and hub (maximum shaft diameter =  $\frac{d}{1.221}$ ).
  - See Table 1 (bottom of page 43) for maximum diametrical clearance between shaft and hub bore.

Please note not all catalog items shown are stock. Some products are make-to-order (MTO) based on annual demand. Please verify with your customer service representative for current availability of the item desired.

# B-LOC Split and Half Shrink Discs Engineering Data

To complement our standard line of B-LOC Shrink Discs, we also offer Split and Half Shrink Discs. These versions are available in all bore sizes listed for standard Shrink Discs. The Split Shrink Disc design allows greater mounting versatility on symmetrical hubs. For applications with tight space constraints and lower performance requirements, Half Shrink Discs provide several compact mounting options.

- **Reduced dimensions** – Perfect for applications with restricted space.
- **Easy Installation** – Standard screws mean installation and removal are achieved using standard tools.
- **Infinite Adjustment** – Simplified design allows hubs to be located and locked virtually anywhere on the shaft.
- **Easy Removal** – Units are self-releasing once the locking screws are loosened, making removal a breeze.
- **Reliability you can count on** – B-LOC Shrink Discs can be tightened and released as often as required.



**Note:** Dimension X is required when ordering Split or Half Shrink Disc Type HT. See Table 1 at bottom left of page 46 for web clearance hole data. Please consult B-LOC Technical Services at [AE@fenner.com](mailto:AE@fenner.com) to determine appropriate screw length for your specific application.

## Split Shrink Discs

Standard and Light Duty Series: If dimension  $X > 2 \times L$  then the transmissible torque may be reduced by up to 50%.

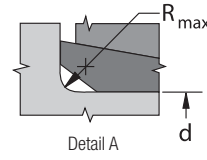
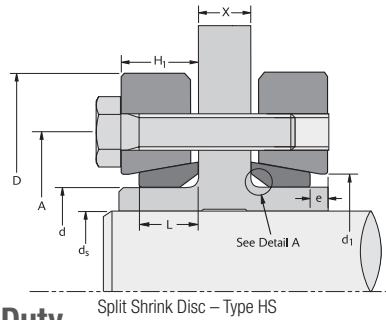
Heavy Duty Series: If dimension  $X > 1 \times L$  then the transmissible torque may be reduced by up to 50%.

## Half Shrink Discs

Half Shrink Discs HC/HT transmit 50% of the  $M_t$  of Shrink Discs and Split Shrink Discs.

# B-LOC Split Shrink Discs

B-LOC  
Shrink Disc  
**Split  
Inch**



Dimension X is required when ordering Split Shrink Discs. See Table 1 at bottom left for web clearance hole data.

## SD10 — Split SD — Standard Duty

Part Number	Size	SD bore (Hub OD)		Shaft Diameter Range		Locking Screws		M <sub>a</sub>		M <sub>t</sub>		A (inch)	D (inch)	L (inch)	H <sub>1</sub> (inch)	e (inch)	d <sub>1</sub> (inch)	R (inch)	Ship wt (lb)
		d (inch)	T/d (inch)	ds-MIN (inch)	ds-MAX (inch)	Qty	Size	Install Torque (ft lb)	Max. Transmitted Torque (ft lb)	ds-MIN (ft lb)	ds-MAX (ft lb)								
HS0241	24-10	0.945	+ 0 / -0.002	0.625	0.774	6	M5	3.6	138	278	1.417	1.97	0.374	0.453	0.080	1.023	1/16	0.5	
HS0301	30-10	1.181	+ 0 / -0.002	0.750	0.967	7	M5	3.6	177	407	1.732	2.36	0.413	0.493	0.081	1.259	1/16	0.7	
HS0361	36-10	1.417	+ 0 / -0.002	0.875	1.161	5	M6	8.7	315	666	2.047	2.83	0.448	0.533	0.085	1.496	1/16	0.9	
HS0441	44-10	1.732	+ 0 / -0.002	1.125	1.419	7	M6	8.7	683	1198	2.402	3.15	0.492	0.568	0.077	1.850	1/16	1.4	
HS0501	50-10	1.969	+ 0 / -0.002	1.375	1.612	8	M6	8.7	964	1565	2.756	3.54	0.531	0.608	0.077	2.086	1/16	1.8	
HS0551	55-10	2.165	+ 0 / -0.002	1.500	1.773	8	M6	8.7	1014	1707	2.953	3.94	0.551	0.668	0.118	2.283	3/32	2.4	
HS0621	62-10	2.441	+ 0 / -0.002	1.750	1.999	10	M6	8.7	1718	2375	3.386	4.33	0.551	0.668	0.118	2.598	3/32	2.9	
HS0681	68-10	2.677	+ 0 / -0.002	1.875	2.193	10	M6	8.7	1760	2606	3.386	4.53	0.551	0.668	0.118	2.834	3/32	3	
HS0751	75-10	2.953	+ 0 / -0.002	2.125	2.418	7	M8	22	2792	4057	3.937	5.43	0.689	0.807	0.118	3.110	1/8	3.8	
HS0801	80-10	3.150	+ 0 / -0.002	2.375	2.580	7	M8	22	3416	4331	3.937	5.71	0.689	0.807	0.118	3.307	1/8	4.2	
HS0901	90-10	3.543	+ 0 / -0.004	2.500	2.902	10	M8	22	4751	7139	4.488	6.10	0.788	0.942	0.155	3.700	1/8	7	
HS0951	95-10	3.740	+ 0 / -0.004	2.750	3.063	12	M8	22	6832	9108	4.882	6.69	0.866	1.042	0.176	4.094	1/8	10	
HS1001	100-10	3.937	+ 0 / -0.004	2.875	3.224	12	M8	22	7059	9586	4.882	6.69	0.866	1.042	0.176	4.094	1/8	10	
HS1101	110-10	4.331	+ 0 / -0.004	3.125	3.547	9	M10	44	9013	12602	5.354	7.28	0.965	1.162	0.198	4.488	1/8	13	
HS1251	125-10	4.921	+ 0 / -0.004	3.500	4.031	12	M10	44	13710	19540	6.299	8.46	1.024	1.217	0.194	5.275	1/8	18	
HS1401	140-10	5.512	+ 0 / -0.004	4.000	4.514	10	M12	74	19648	26440	6.890	9.06	1.103	1.337	0.235	5.708	3/16	23	
HS1551	155-10	6.102	+ 0 / -0.004	4.500	4.998	12	M12	74	27515	34049	7.559	10.36	1.181	1.417	0.236	6.496	3/16	31	
HS1651	165-10	6.496	+ 0 / -0.004	4.875	5.320	8	M16	185	37737	47135	8.268	11.42	1.299	1.532	0.233	6.889	3/16	49	
HS1751	175-10	6.890	+ 0 / -0.004	5.250	5.643	8	M16	185	41620	50005	8.661	11.81	1.299	1.532	0.233	7.283	3/16	50	
HS1851	185-10	7.283	+ 0 / -0.004	5.625	5.965	10	M16	185	56802	65965	9.291	12.99	1.595	1.867	0.273	7.677	3/16	82	
HS1951	195-10	7.677	+ 0 / -0.004	5.875	6.288	12	M16	185	71908	84926	9.685	13.78	1.595	1.867	0.273	8.110	3/16	91	
HS2001	200-10	7.874	+ 0 / -0.004	6.250	6.449	12	M16	185	80674	87096	9.685	13.78	1.595	1.867	0.273	8.110	3/16	90	
HS2201	220-10	8.661	+ 0 / -0.004	6.375	7.094	15	M16	185	92230	116425	10.630	14.57	2.027	2.325	0.298	8.897	1/4	119	
HS2401	240-10	9.449	+ 0 / -0.004	7.000	7.739	12	M20	362	130645	161818	11.614	15.95	2.106	2.405	0.299	9.763	1/4	148	
HS2601	260-10	10.236	+ 0 / -0.004	7.625	8.383	14	M20	362	162198	205263	12.638	16.93	2.323	2.640	0.318	10.551	1/4	181	
HS2801	280-10	11.024	+ 0 / -0.005	8.375	9.028	16	M20	362	210581	253378	13.622	18.11	2.638	2.994	0.356	11.338	5/16	225	
HS3001	300-10	11.811	+ 0 / -0.005	9.000	9.673	18	M20	362	257278	306749	14.331	19.10	2.796	3.154	0.359	12.125	5/16	260	
HS3201	320-10	12.598	+ 0 / -0.005	9.625	10.318	20	M20	362	310492	359728	15.197	20.48	2.796	3.154	0.359	12.913	5/16	288	
HS3401	340-10	13.386	+ 0 / -0.005	10.250	10.963	24	M20	362	392088	462391	16.063	22.44	3.032	3.464	0.432	13.700	5/16	409	
HS3501	350-10	13.780	+ 0 / -0.005	10.875	11.285	24	M20	362	432685	474097	17.008	22.84	3.150	3.544	0.395	14.488	5/16	429	
HS3601	360-10	14.173	+ 0 / -0.005	11.250	11.608	24	M20	362	451405	487702	17.008	23.23	3.150	3.544	0.395	14.488	5/16	449	
HS3801	380-10	14.961	+ 0 / -0.005	11.500	12.253	20	M24	620	535005	623051	18.031	25.40	3.229	3.624	0.396	15.276	5/16	526	
HS3901	390-10	15.354	+ 0 / -0.005	12.250	12.575	21	M24	620	633184	673847	18.425	25.99	3.327	3.722	0.396	15.629	3/8	572	
HS4201	420-10	16.535	+ 0 / -0.006	12.500	13.543	24	M24	620	685493	829666	19.843	27.17	3.720	4.117	0.397	16.929	3/8	630	
HS4401	440-10	17.323	+ 0 / -0.006	13.500	14.187	24	M24	620	768743	852536	20.748	29.53	3.977	4.467	0.491	17.716	3/8	835	
HS4601	460-10	18.110	+ 0 / -0.006	14.125	14.832	28	M24	620	934194	1051580	21.535	30.32	3.977	4.467	0.491	18.425	3/8	924	
HS4801	480-10	18.898	+ 0 / -0.006	14.750	15.477	30	M24	620	1047086	1176357	22.441	31.50	4.292	4.786	0.495	19.291	1/2	1110	
HS5001	500-10	19.685	+ 0 / -0.006	15.375	16.122	24	M27	922	1169590	1310148	23.228	33.46	4.292	4.786	0.495	19.999	1/2	1265	

### Specifications for Web Clearance Holes (diameter in inches)

Screw Size	M5	M6	M8	M10	M12	M16	M20	M24	M27
Split Shrink Disc	0.281	0.328	0.406	0.500	0.594	0.750	0.906	1.063	1.188
Half Shrink Disc HT	0.219	0.266	0.359	0.438	0.531	0.719	0.875	1.031	1.156

Table 1

#### Notes:

- Screw length must be determined based on your X dimension. Please consult Technical Services.
- Inner rings of all shrink discs are supplied with one lengthwise slit.
- Shrink discs are available for shafts up to 40" diameter and in a variety of special designs.
- Maximum shaft sizes listed for Shrink Disc Series SD10 and SD30 reflect equal section moduli of shaft and hub (maximum shaft diameter =  $\frac{d}{1.221}$ ).
- Larger shrink discs for shafts up to 40" diameter are available on request.

## For Series SD10, SD20 and SD30

Shaft Sizes (inch)	Maximum Diametrical Clearance Between Shaft and Hub Bore	
	>	≤
1 1/8	1 1/8	0.0010
1 1/8	1 15/16	0.0015
1 1/16	4 3/4	0.0020
4 3/4	7	0.0030
7	10	0.0040
10	14	0.0050
14		0.0060

Please note not all catalog items shown are stock. Some products are make-to-order (MTO) based on annual demand. Please verify with your customer service representative for current availability of the item desired.

B-LOC  
Shrink Disc  
**Split**  
Metric

## SD10 — Split SD — Standard Duty

Part Number	Size	SD bore (Hub OD)		Hub OD Tolerance		Shaft Diameter Range		Locking Screws		M <sub>a</sub> Install Torque (Nm)	M <sub>t</sub> Max. Transmitted Torque		A (mm)	D (mm)	L (mm)	H <sub>1</sub> (mm)	e (mm)	d <sub>1</sub> (mm)	R (mm)	Ship wt (kg)
		d (mm)	Tl d (mm)	ds-MIN (mm)	ds-MAX (mm)	Qty	Size	ds-MIN (Nm)	ds-MAX (Nm)											
HS0241	24-10	24	+ 0 / -0.05	16	20	6	M5	5	187	377	36	50	9.5	11.5	2	26	1.6	0.2		
HS0301	30-10	30	+ 0 / -0.05	19	25	7	M5	5	240	552	44	60	10.5	12.5	2	32	1.6	0.3		
HS0361	36-10	36	+ 0 / -0.05	22	29	5	M6	12	427	903	52	72	11.4	13.5	2	38	1.6	0.4		
HS0441	44-10	44	+ 0 / -0.05	29	36	7	M6	12	926	1624	61	80	12.5	14.5	2	47	1.6	0.6		
HS0501	50-10	50	+ 0 / -0.05	35	41	8	M6	12	1307	2122	70	90	13.5	15.5	2	53	1.6	0.8		
HS0551	55-10	55	+ 0 / -0.05	38	45	8	M6	12	1375	2315	75	100	14.0	17.0	3	58	2.4	1.1		
HS0621	62-10	62	+ 0 / -0.05	44	51	10	M6	12	2330	3221	86	110	14.0	17.0	3	66	2.4	1.3		
HS0681	68-10	68	+ 0 / -0.05	48	56	10	M6	12	2387	3534	86	115	14.0	17.0	3	72	2.4	1.4		
HS0751	75-10	75	+ 0 / -0.05	54	61	7	M8	30	3786	5501	100	138	17.5	20.5	3	79	3.2	1.7		
HS0801	80-10	80	+ 0 / -0.05	60	66	7	M8	30	4632	5873	100	145	17.5	20.5	3	84	3.2	1.9		
HS0901	90-10	90	+ 0 / -0.10	64	74	10	M8	30	6442	9680	114	155	20.0	24.0	4	94	3.2	3.2		
HS0951	95-10	95	+ 0 / -0.10	70	78	12	M8	30	9264	12350	124	170	22.0	26.5	4	104	3.2	4.5		
HS1001	100-10	100	+ 0 / -0.10	73	82	12	M8	30	9572	12999	124	170	22.0	26.5	4	104	3.2	4.5		
HS1101	110-10	110	+ 0 / -0.10	79	90	9	M10	60	12222	17088	136	185	24.5	29.5	5	114	3.2	5.9		
HS1251	125-10	125	+ 0 / -0.10	89	102	12	M10	60	18591	26496	160	215	26.0	31.0	5	134	3.2	8.2		
HS1401	140-10	140	+ 0 / -0.10	102	115	10	M12	100	26643	35853	175	230	28.0	34.0	6	145	4.8	10.4		
HS1551	155-10	155	+ 0 / -0.10	114	127	12	M12	100	37310	46170	192	263	30.0	36.0	6	165	4.8	14.1		
HS1651	165-10	165	+ 0 / -0.10	124	135	8	M16	251	51171	63915	210	290	33.0	39.0	6	175	4.8	22.2		
HS1751	175-10	175	+ 0 / -0.10	133	143	8	M16	251	56437	67807	220	300	33.0	39.0	6	185	4.8	22.7		
HS1851	185-10	185	+ 0 / -0.10	143	152	10	M16	251	77024	89449	236	330	40.5	47.5	7	195	4.8	37.2		
HS1951	195-10	195	+ 0 / -0.10	149	160	12	M16	251	97507	115160	246	350	40.5	47.5	7	206	4.8	41.3		
HS2001	200-10	200	+ 0 / -0.10	159	164	12	M16	251	109394	118102	246	350	40.5	47.5	7	206	4.8	40.8		
HS2201	220-10	220	+ 0 / -0.10	162	180	15	M16	251	125064	157872	270	370	51.5	59.0	8	226	6.4	54.0		
HS2401	240-10	240	+ 0 / -0.10	178	197	12	M20	491	177155	219425	295	405	53.5	61.0	8	248	6.4	67.1		
HS2601	260-10	260	+ 0 / -0.10	194	213	14	M20	491	219940	278337	321	430	59.0	67.0	8	268	6.4	82.1		
HS2801	280-10	280	+ 0 / -0.13	213	229	16	M20	491	285548	343581	346	460	67.0	76.0	9	288	7.9	102.1		
HS3001	300-10	300	+ 0 / -0.13	229	246	18	M20	491	348869	415952	364	485	71.0	80.0	9	308	7.9	117.9		
HS3201	320-10	320	+ 0 / -0.13	244	262	20	M20	491	421027	487791	386	520	71.0	80.0	9	328	7.9	130.6		
HS3401	340-10	340	+ 0 / -0.13	260	278	24	M20	491	531671	627002	408	570	77.0	88.0	11	348	7.9	185.5		
HS3501	350-10	350	+ 0 / -0.13	276	287	24	M20	491	586721	642876	432	580	80.0	90.0	10	368	7.9	194.6		
HS3601	360-10	360	+ 0 / -0.13	286	295	24	M20	491	612105	661324	432	590	80.0	90.0	10	368	7.9	203.7		
HS3801	380-10	380	+ 0 / -0.13	292	311	20	M24	841	725467	844857	458	645	82.0	92.0	10	388	7.9	238.6		
HS3901	390-10	390	+ 0 / -0.13	311	319	21	M24	841	858598	913737	468	660	84.5	94.5	10	397	9.5	259.5		
HS4201	420-10	420	+ 0 / -0.15	318	344	24	M24	841	929529	1125027	504	690	94.5	104.5	10	430	9.5	285.8		
HS4401	440-10	440	+ 0 / -0.15	343	360	24	M24	841	1042416	1156039	527	750	101.0	113.5	12	450	9.5	378.7		
HS4601	460-10	460	+ 0 / -0.15	359	377	28	M24	841	1266767	1425942	547	770	101.0	113.5	12	468	9.5	419.1		
HS4801	480-10	480	+ 0 / -0.15	375	393	30	M24	841	1419849	1595140	570	800	109.0	121.5	13	490	12.7	503.5		
HS5001	500-10	500	+ 0 / -0.15	391	409	24	M27	1250	1585964	1776561	590	850	109.0	121.5	13	508	12.7	573.8		

## Specifications for Web Clearance Holes (diameter in mm)

Screw Size	M5	M6	M8	M10	M12	M16	M20	M24	M27
Split Shrink Disc	7	8	10	13	15	19	23	27	30
Half Shrink Disc HT	5.5	7	9	11	13.5	18	22	26	30

Table 1

## Notes:

- Screw length must be determined based on your X dimension. Please consult Technical Services.
- Inner rings of all shrink discs are supplied with one lengthwise slit.
- Shrink discs are available for shafts up to 40" diameter and in a variety of special designs.
- Maximum shaft sizes listed for Shrink Disc Series SD10 and SD30 reflect equal section moduli of shaft and hub (maximum shaft diameter =  $\frac{d}{1.221}$ ).
- Larger shrink discs for shafts up to 40" diameter are available on request.

## For Series SD10, SD20 and SD30

Shaft Sizes (mm)		Maximum Diametrical Clearance Between Shaft and Hub Bore
>	≤	
	30	0.025
30	50	0.038
50	120	0.051
120	180	0.076
180	255	0.102
255	355	0.127
355		0.152

Please note not all catalog items shown are stock. Some products are make-to-order (MTO) based on annual demand. Please verify with your customer service representative for current availability of the item desired.

# B-LOC Split Shrink Discs

B-LOC  
Shrink Disc  
**Split**  
Inch

## SD20 — Split SD — Light Duty

Part Number	Size	SD bore (Hub OD)		Shaft Diameter Range		Locking Screws		Ma Install Torque (ft lb)	Mt Max. Transmitted Torque		A (inch)	D (inch)	L (inch)	H <sub>1</sub> (inch)	e (inch)	d <sub>1</sub> (inch)	R (inch)	Ship wt (lb)
		d	T <sub>L</sub> d	ds-MIN	ds-MAX	Qty	Size		ds-MIN	ds-MAX								
		(inch)	(inch)	(inch)	(inch)				(ft lb)	(ft lb)								
HS1252	125-20	4.921	+0 / -0.004	3.625	4.125	8	M10	44	9380	13343	6.220	7.28	0.965	1.202	0.238	5.118	1/8	13
HS1402	140-20	5.512	+0 / -0.004	4.250	5.000	9	M10	44	13691	20328	6.889	8.67	0.965	1.202	0.238	5.669	1/8	18
HS1552	155-20	6.102	+0 / -0.004	5.000	5.500	11	M10	44	21144	27447	7.559	9.65	0.965	1.202	0.238	6.259	1/8	22
HS1652	165-20	6.496	+0 / -0.004	5.375	5.750	10	M12	74	30652	36677	8.267	10.24	1.103	1.417	0.315	6.653	3/16	31
HS1752	175-20	6.890	+0 / -0.004	5.625	6.125	11	M12	74	34940	43588	8.661	10.83	1.103	1.417	0.315	7.047	3/16	35
HS1852	185-20	7.283	+0 / -0.004	6.000	6.500	12	M12	74	41643	51035	8.858	11.62	1.103	1.417	0.315	7.440	3/16	44
HS1952	195-20	7.677	+0 / -0.004	6.500	7.000	15	M12	74	58979	71073	9.330	12.40	1.299	1.617	0.318	7.834	3/16	60
HS2202	220-20	8.661	+0 / -0.004	7.000	7.875	10	M16	185	76454	100895	10.433	13.59	1.496	1.852	0.356	8.818	3/16	77
HS2402	240-20	9.449	+0 / -0.004	7.875	8.500	12	M16	185	107011	129864	11.417	14.57	1.594	1.950	0.356	9.606	1/4	97
HS2602	260-20	10.236	+0 / -0.004	8.625	9.250	14	M16	185	139939	166618	12.204	15.55	1.712	2.110	0.398	10.433	1/4	106
HS2802	280-20	11.024	+0 / -0.005	9.000	9.875	16	M16	185	158724	200396	13.110	16.74	1.949	2.345	0.397	11.220	1/4	132
HS3002	300-20	11.811	+0 / -0.005	9.875	10.625	18	M16	185	229935	271288	14.094	18.11	1.949	2.345	0.397	12.007	1/4	165
HS3202	320-20	12.598	+0 / -0.005	10.500	11.375	20	M16	185	238939	292045	14.881	19.49	1.949	2.385	0.437	12.795	1/4	185
HS3402	340-20	13.386	+0 / -0.005	11.375	12.000	21	M16	185	281000	320857	15.826	21.07	1.949	2.385	0.437	13.582	1/4	220
HS3602	360-20	14.173	+0 / -0.005	11.875	12.625	16	M20	362	341876	398029	16.653	21.85	2.363	2.799	0.437	14.370	5/16	275
HS3802	380-20	14.961	+0 / -0.005	12.500	13.000	18	M20	362	403340	444630	17.401	23.03	2.599	3.069	0.471	15.236	5/16	301
HS3902	390-20	15.354	+0 / -0.005	12.625	13.750	20	M20	362	446171	549086	17.795	23.43	2.599	3.074	0.476	15.629	5/16	344
HS4202	420-20	16.535	+0 / -0.006	13.750	14.625	22	M20	362	544495	625817	19.094	24.81	2.756	3.229	0.473	16.810	5/16	407
HS4602	460-20	18.110	+0 / -0.006	14.625	16.375	28	M20	362	704454	927856	20.747	26.97	3.090	3.602	0.512	18.425	3/8	517
HS5002	500-20	19.685	+0 / -0.006	16.250	17.375	30	M20	362	860127	1014952	22.519	29.53	3.484	3.997	0.513	19.999	3/8	704

## SD30 — Split SD — Heavy Duty

Part Number	Size	SD bore (Hub OD)		Shaft Diameter Range		Locking Screws		Ma Install Torque (ft lb)	Mt Max. Transmitted Torque		A (inch)	D (inch)	L (inch)	H <sub>1</sub> (inch)	e (inch)	d <sub>1</sub> (inch)	R (inch)	Ship wt (lb)
		d	T <sub>L</sub> d	ds-MIN	ds-MAX	Qty	Size		ds-MIN	ds-MAX								
		(inch)	(inch)	(inch)	(inch)				(ft lb)	(ft lb)								
HS0443	44-30	1.732	+0 / -0.002	1.125	1.419	5	M8	22	941	1653	2.598	3.35	0.649	0.768	0.119	1.890	1/16	1.4
HS0503	50-30	1.969	+0 / -0.002	1.375	1.612	7	M8	22	1761	2749	2.874	3.74	0.689	0.868	0.180	1.984	1/16	1.8
HS0553	55-30	2.165	+0 / -0.002	1.500	1.773	7	M8	22	1892	3023	3.071	4.13	0.689	0.868	0.180	2.323	3/32	2.4
HS0623	62-30	2.441	+0 / -0.002	1.750	1.999	7	M8	22	2353	3244	3.346	4.53	0.689	0.868	0.180	2.598	3/32	2.9
HS0683	68-30	2.677	+0 / -0.002	1.875	2.193	8	M8	22	2861	4173	3.622	4.72	0.689	0.868	0.180	2.835	3/32	3
HS0753	75-30	2.953	+0 / -0.002	2.125	2.418	7	M10	44	4552	6529	4.134	5.71	0.906	1.102	0.197	3.307	1/8	3.8
HS0803	80-30	3.150	+0 / -0.002	2.375	2.580	7	M10	44	5541	6971	4.134	5.71	0.906	1.102	0.197	3.307	1/8	4.2
HS0903	90-30	3.543	+0 / -0.004	2.500	2.902	8	M10	44	5946	8994	4.567	6.30	0.985	1.182	0.198	3.701	1/8	7
HS1003	100-30	3.937	+0 / -0.004	2.875	3.224	10	M10	44	9370	12700	4.961	6.69	1.063	1.262	0.199	4.094	1/8	10
HS1103	110-30	4.331	+0 / -0.004	3.125	3.547	12	M10	44	12116	16879	5.354	7.28	1.182	1.377	0.196	4.482	1/8	17
HS1253	125-30	4.921	+0 / -0.004	3.500	4.031	12	M12	74	20092	28393	6.299	8.47	1.260	1.497	0.237	5.157	3/16	24
HS1403	140-30	5.512	+0 / -0.004	4.000	4.514	12	M12	74	23275	31491	6.889	9.06	1.378	1.657	0.279	5.744	3/16	29
HS1553	155-30	6.102	+0 / -0.004	4.500	4.998	15	M12	74	34154	42273	7.795	10.36	1.496	1.772	0.276	6.496	3/16	44
HS1653	165-30	6.496	+0 / -0.004	4.875	5.320	10	M16	185	46957	58743	8.267	11.42	1.614	1.932	0.318	6.940	3/16	57
HS1753	175-30	6.890	+0 / -0.004	5.250	5.643	10	M16	185	51804	62320	8.661	11.82	1.614	1.932	0.318	7.322	3/16	64
HS1853	185-30	7.283	+0 / -0.004	5.625	5.965	15	M16	185	86847	100371	9.291	12.99	2.008	2.402	0.394	7.704	3/16	104
HS1953	195-30	7.677	+0 / -0.004	5.875	6.288	15	M16	185	89488	105820	9.685	13.78	2.106	2.500	0.394	8.102	1/4	110
HS2003	200-30	7.874	+0 / -0.004	6.250	6.449	15	M16	185	100466	108524	9.685	13.78	2.106	2.500	0.394	8.102	1/4	110
HS2203	220-30	8.661	+0 / -0.004	6.375	7.094	20	M16	185	123458	155750	10.629	14.57	2.539	2.935	0.396	8.901	1/4	143
HS2403	240-30	9.449	+0 / -0.004	7.000	7.739	15	M20	362	162518	201425	11.614	15.95	2.657	3.130	0.473	9.692	1/4	192
HS2603	260-30	10.236	+0 / -0.005	7.625	8.383	18	M20	362	207733	263252	12.637	16.93	2.972	3.445	0.473	10.511	1/4	220
HS2803	280-30	11.024	+0 / -0.005	8.375	9.028	21	M20	362	276822	332933	13.622	18.11	3.307	3.779	0.472	11.370	5/16	291
HS3003	300-30	11.811	+0 / -0.005	9.000	9.673	22	M20	362	313789	374371	14.330	19.10	3.386	3.859	0.473	12.177	5/16	308
HS3203	320-30	12.598	+0 / -0.005	9.625	10.318	24	M20	362	368957	427823	15.196	20.48	3.544	4.019	0.476	12.964	5/16	363
HS3403	340-30	13.386	+0 / -0.005	10.250	10.963	21	M24	620	489329	577963	16.535	22.44	3.859	4.334	0.476	13.724	5/16	528
HS3603	360-30	14.173	+0 / -0.005	11	11.608	22	M24	620	562859	642534	17.007	23.23	4.035	4.512	0.477	14.515	3/8	550
HS3903	390-30	15.354	+0 / -0.005	11.625	12.575	24	M24	620	628949	762028	18.425	25.99	4.193	4.667	0.475	15.609	3/8	770
HS4203	420-30	16.535	+0 / -0.006	12.500	13.543	30	M24	620	852841	1033732	19.842	27.17	4.705	5.177	0.472	16.811	3/8	902
HS4603	460-30	18.110	+0 / -0.006	13.625	14.832	28	M27	922	1144559	1403894	21.535	30.32	5.000	5.556	0.556	18.503	1/2	1188
HS5003	500-30	19.685	+0 / -0.006	14.875	16.122	32	M27	922	1443359	1749331	23.622	33.47	5.434	5.986	0.552	19.999	1/2	1650

Please note not all catalog items shown are stock. Some products are make-to-order (MTO) based on annual demand. Please verify with your customer service representative for current availability of the item desired.

### SD20 — Split SD — Light Duty

Part Number	Size	SD bore (Hub OD)	Hub OD Tolerance	Shaft Diameter Range		Locking Screws		M <sub>a</sub>	M <sub>t</sub>		A (mm)	D (mm)	L (mm)	H <sub>1</sub> (mm)	e (mm)	d <sub>1</sub> (mm)	R (mm)	Ship wt (kg)
		d (mm)	T <sub>Ld</sub> (mm)	ds-MIN (mm)	ds-MAX (mm)	Qty	Size	Install Torque (Nm)	Max. Transmitted Torque	ds-MIN (Nm)								
HS1252	125-20	125	+ 0 / -0.10	92	105	8	M10	44	12719	18093	158	185	24.5	30.5	6	130	3.2	5.9
HS1402	140-20	140	+ 0 / -0.10	108	127	9	M10	44	18565	27565	175	220	24.5	30.5	6	144	3.2	8.2
HS1552	155-20	155	+ 0 / -0.10	127	140	11	M10	44	28671	37218	192	245	24.5	30.5	6	159	3.2	10.0
HS1652	165-20	165	+ 0 / -0.10	137	146	10	M12	74	41564	49734	210	260	28.0	36.0	8	169	4.8	14.1
HS1752	175-20	175	+ 0 / -0.10	143	156	11	M12	74	47379	59105	220	275	28.0	36.0	8	179	4.8	15.9
HS1852	185-20	185	+ 0 / -0.10	152	165	12	M12	74	56468	69203	225	295	28.0	36.0	8	189	4.8	20.0
HS1952	195-20	195	+ 0 / -0.10	165	178	15	M12	74	79976	96375	237	315	33.0	41.0	8	199	4.8	27.2
HS2202	220-20	220	+ 0 / -0.10	178	200	10	M16	185	103672	136814	265	345	38.0	47.0	9	224	4.8	34.9
HS2402	240-20	240	+ 0 / -0.10	200	216	12	M16	185	145107	176096	290	370	40.5	49.5	9	244	6.4	44.0
HS2602	260-20	260	+ 0 / -0.10	219	235	14	M16	185	189757	225934	310	395	43.5	53.5	10	265	6.4	48.1
HS2802	280-20	280	+ 0 / -0.10	229	251	16	M16	185	215230	271737	333	425	49.5	59.5	10	285	6.4	59.9
HS3002	300-20	300	+ 0 / -0.13	251	270	18	M16	185	311792	367867	358	460	49.5	59.5	10	305	6.4	74.8
HS3202	320-20	320	+ 0 / -0.13	267	289	20	M16	185	324001	396013	378	495	49.5	60.5	11	325	6.4	83.9
HS3402	340-20	340	+ 0 / -0.13	289	305	21	M16	185	381036	435082	402	535	49.5	60.5	11	345	6.4	99.8
HS3602	360-20	360	+ 0 / -0.13	302	321	16	M20	362	463584	539727	423	555	60.0	71.0	11	365	7.9	124.7
HS3802	380-20	380	+ 0 / -0.13	318	330	18	M20	362	546929	602918	442	585	66.0	78.0	12	387	7.9	136.5
HS3902	390-20	390	+ 0 / -0.13	321	349	20	M20	362	605008	744561	452	595	66.0	78.0	12	397	7.9	156.0
HS4202	420-20	420	+ 0 / -0.15	349	371	22	M20	362	738335	848608	485	630	70.0	82.0	12	427	7.9	184.6
HS4602	460-20	460	+ 0 / -0.15	371	416	28	M20	362	955240	1258173	527	685	78.5	91.5	13	468	9.5	234.5
HS5002	500-20	500	+ 0 / -0.15	413	441	30	M20	362	1166332	1376275	572	750	88.5	101.5	13	508	9.5	319.3

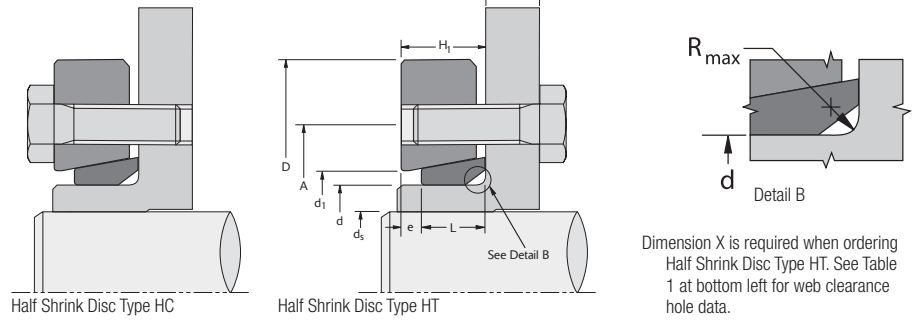
### SD30 — Split SD — Heavy Duty

Part Number	Size	SD bore (Hub OD)	Hub OD Tolerance	Shaft Diameter Range		Locking Screws		M <sub>a</sub>	M <sub>t</sub>		A (mm)	D (mm)	L (mm)	H <sub>1</sub> (mm)	e (mm)	d <sub>1</sub> (mm)	R (mm)	Ship wt (kg)
		d (mm)	T <sub>Ld</sub> (mm)	ds-MIN (mm)	ds-MAX (mm)	Qty	Size	Install Torque (Nm)	Max. Transmitted Torque	ds-MIN (Nm)								
HS0443	44-30	44	+ 0 / -0.05	29	36	5	M8	30	1276	2241	66	85	16.5	19.5	3	48	1.6	0.6
HS0503	50-30	50	+ 0 / -0.05	35	41	7	M8	30	2388	3728	73	95	17.5	22.0	5	50	1.6	0.8
HS0553	55-30	55	+ 0 / -0.05	38	45	7	M8	30	2566	4099	78	105	17.5	22.0	5	59	2.4	1.1
HS0623	62-30	62	+ 0 / -0.05	44	51	7	M8	30	3191	4399	85	115	17.5	22.0	5	66	2.4	1.3
HS0683	68-30	68	+ 0 / -0.05	48	56	8	M8	30	3880	5659	92	120	17.5	22.0	5	72	2.4	1.4
HS0753	75-30	75	+ 0 / -0.05	54	61	7	M10	60	6173	8853	105	145	23.0	28.0	5	84	3.2	1.7
HS0803	80-30	80	+ 0 / -0.05	60	66	7	M10	60	7514	9453	105	145	23.0	28.0	5	84	3.2	1.9
HS0903	90-30	90	+ 0 / -0.10	64	74	8	M10	60	8063	12196	116	160	25.0	30.0	5	94	3.2	3.2
HS1003	100-30	100	+ 0 / -0.10	73	82	10	M10	60	12706	17221	126	170	27.0	32.0	5	104	3.2	4.5
HS1103	110-30	110	+ 0 / -0.10	79	90	12	M10	60	16429	22888	136	185	30.0	35.0	5	114	3.2	7.7
HS1253	125-30	125	+ 0 / -0.10	89	102	12	M12	100	27245	38501	160	215	32.0	38.0	6	131	4.8	10.9
HS1403	140-30	140	+ 0 / -0.10	102	115	12	M12	100	31561	42702	175	230	35.0	42.0	7	146	4.8	13.2
HS1553	155-30	155	+ 0 / -0.10	114	127	15	M12	100	46313	57322	198	263	38.0	45.0	7	165	4.8	20.0
HS1653	165-30	165	+ 0 / -0.10	124	135	10	M16	251	63674	79656	210	290	41.0	49.0	8	176	4.8	25.9
HS1753	175-30	175	+ 0 / -0.10	133	143	10	M16	251	70246	84506	220	300	41.0	49.0	8	186	4.8	29.0
HS1853	185-30	185	+ 0 / -0.10	143	152	15	M16	251	117765	136103	236	330	51.0	61.0	10	196	4.8	47.2
HS1953	195-30	195	+ 0 / -0.10	149	160	15	M16	251	121346	143492	246	350	53.5	63.5	10	206	6.4	49.9
HS2003	200-30	200	+ 0 / -0.10	159	164	15	M16	251	136232	147159	246	350	53.5	63.5	10	206	6.4	49.9
HS2203	220-30	220	+ 0 / -0.10	162	180	20	M16	251	167409	211197	270	370	64.5	74.5	10	226	6.4	64.9
HS2403	240-30	240	+ 0 / -0.10	178	197	15	M20	491	220374	273132	295	405	67.5	79.5	12	246	6.4	87.1
HS2603	260-30	260	+ 0 / -0.13	194	213	18	M20	491	281686	356970	321	430	75.5	87.5	12	267	6.4	99.8
HS2803	280-30	280	+ 0 / -0.13	213	229	21	M20	491	375371	451457	346	460	84.0	96.0	12	289	7.9	132.0
HS3003	300-30	300	+ 0 / -0.13	229	246	22	M20	491	425498	507647	364	485	86.0	98.0	12	309	7.9	139.7
HS3203	320-30	320	+ 0 / -0.13	244	262	24	M20	491	500306	580128	386	520	90.0	102.0	12	329	7.9	164.7
HS3403	340-30	340	+ 0 / -0.13	260	278	21	M24	841	663530	783718	420	570	98.0	110.0	12	349	7.9	239.5
HS3603	360-30	360	+ 0 / -0.13	279	295	22	M24	841	763237	871276	432	590	102.5	114.5	12	369	9.5	249.5
HS3903	390-30	390	+ 0 / -0.13	295	319	24	M24	841	852855	1033310	468	660	106.5	118.5	12	396	9.5	349.3
HS4203	420-30	420	+ 0 / -0.15	318	344	30	M24	841	1156452	1401741	504	690	119.5	131.5	12	427	9.5	409.1
HS4603	460-30	460	+ 0 / -0.15	346	377	28	M27	1250	1552022	1903680	547	770	127.0	141.0	14	470	12.7	538.9
HS5003	500-30	500	+ 0 / -0.15	378	409	32	M27	1250	1957195	2372093	600	850	138.0	152.0	14	508	12.7	748.4

Please note not all catalog items shown are stock. Some products are make-to-order (MTO) based on annual demand. Please verify with your customer service representative for current availability of the item desired.

# B-LOC Half Shrink Discs

B-LOC  
Shrink Disc  
**Half  
Inch**



Dimension X is required when ordering Half Shrink Disc Type HT. See Table 1 at bottom left for web clearance hole data.

## SD10 — Half SD — Standard Duty

Type HC Part Number	Type HT Part Number	Size	SD bore (Hub OD)		Shaft Diameter Range		Locking Screws			M <sub>a</sub> Install Torque (ft lb)	M <sub>t</sub> Max. Transmitted Torque (ft lb)		A (inch)	D (inch)	L (inch)	H <sub>1</sub> (inch)	e (inch)	d <sub>1</sub> (inch)	R (inch)	Ship wt (lb)
			d (inch)	T <sub>Ld</sub> (inch)	ds-MIN (inch)	ds-MAX (inch)	Qty	HC Size	HT Size		ds-MIN (ft lb)	ds-MAX (ft lb)								
HHC0241	HHT0241	24-10	0.945	+0/-0.002	0.625	0.774	6	M5 x 16	M5	3.6	69	139	1.417	1.97	0.374	0.453	0.080	1.023	1/16	0.3
HHC0301	HHT0301	30-10	1.181	+0/-0.002	0.750	0.967	7	M5 x 18	M5	3.6	89	204	1.732	2.36	0.413	0.493	0.081	1.259	1/16	0.4
HHC0361	HHT0361	36-10	1.417	+0/-0.002	0.875	1.161	5	M6 x 20	M6	8.7	158	333	2.047	2.83	0.448	0.533	0.085	1.496	1/16	0.6
HHC0441	HHT0441	44-10	1.732	+0/-0.002	1.125	1.419	7	M6 x 20	M6	8.7	342	599	2.402	3.15	0.492	0.568	0.077	1.850	1/16	0.8
HHC0501	HHT0501	50-10	1.969	+0/-0.002	1.375	1.612	8	M6 x 22	M6	8.7	482	783	2.756	3.54	0.531	0.608	0.077	2.086	1/16	1
HHC0551	HHT0551	55-10	2.165	+0/-0.002	1.500	1.773	8	M6 x 25	M6	8.7	507	854	2.953	3.94	0.551	0.668	0.118	2.283	3/32	1.4
HHC0621	HHT0621	62-10	2.441	+0/-0.002	1.750	1.999	10	M6 x 25	M6	8.7	859	1188	3.386	4.33	0.551	0.668	0.118	2.598	3/32	1.6
HHC0681	HHT0681	68-10	2.677	+0/-0.002	1.875	2.193	10	M6 x 25	M6	8.7	880	1303	3.386	4.53	0.551	0.668	0.118	2.834	3/32	1.6
HHC0751	HHT0751	75-10	2.953	+0/-0.002	2.125	2.418	7	M8 x 25	M8	22	1396	2029	3.937	5.43	0.689	0.807	0.118	3.110	1/8	2.6
HHC0801	HHT0801	80-10	3.150	+0/-0.002	2.375	2.580	7	M8 x 25	M8	22	1708	2166	3.937	5.71	0.689	0.807	0.118	3.307	1/8	2.8
HHC0901	HHT0901	90-10	3.543	+0/-0.004	2.500	2.902	10	M8 x 30	M8	22	2376	3570	4.488	6.10	0.788	0.942	0.155	3.700	1/8	4
HHC0951	HHT0951	95-10	3.740	+0/-0.004	2.750	3.063	12	M8 x 30	M8	22	3416	4554	4.882	6.69	0.866	1.042	0.176	4.094	1/8	6
HHC1001	HHT1001	100-10	3.937	+0/-0.004	2.875	3.224	12	M8 x 35	M8	22	3530	4793	4.882	6.69	0.866	1.042	0.176	4.094	1/8	6
HHC1101	HHT1101	110-10	4.331	+0/-0.004	3.125	3.547	9	M10 x 40	M10	44	4507	6301	5.354	7.28	0.965	1.162	0.198	4.488	1/8	7
HHC1251	HHT1251	125-10	4.921	+0/-0.004	3.500	4.031	12	M10 x 40	M10	44	6855	9770	6.299	8.46	1.024	1.217	0.194	5.275	1/8	11
HHC1401	HHT1401	140-10	5.512	+0/-0.004	4.000	4.514	10	M12 x 45	M12	74	9824	13220	6.890	9.06	1.103	1.337	0.235	5.708	3/16	13
HHC1551	HHT1551	155-10	6.102	+0/-0.004	4.500	4.998	12	M12 x 50	M12	74	13758	17025	7.559	10.36	1.181	1.417	0.236	6.496	3/16	17
HHC1651	HHT1651	165-10	6.496	+0/-0.004	4.875	5.320	8	M16 x 55	M16	185	18869	23568	8.268	11.42	1.299	1.532	0.233	6.889	3/16	24
HHC1751	HHT1751	175-10	6.890	+0/-0.004	5.250	5.643	8	M16 x 55	M16	185	20810	25003	8.661	11.81	1.299	1.532	0.233	7.283	3/16	25
HHC1851	HHT1851	185-10	7.283	+0/-0.004	5.625	5.965	10	M16 x 65	M16	185	28401	32983	9.291	12.99	1.595	1.867	0.273	7.677	3/16	39
HHC1951	HHT1951	195-10	7.677	+0/-0.004	5.875	6.288	12	M16 x 65	M16	185	35954	42463	9.685	13.78	1.595	1.867	0.273	8.110	3/16	44
HHC2001	HHT2001	200-10	7.874	+0/-0.004	6.250	6.449	12	M16 x 65	M16	185	40337	43548	9.685	13.78	1.595	1.867	0.273	8.110	3/16	43
HHC2201	HHT2201	220-10	8.661	+0/-0.004	6.375	7.094	15	M16 x 80	M16	185	46115	58213	10.630	14.57	2.027	2.325	0.298	8.897	1/4	57
HHC2401	HHT2401	240-10	9.449	+0/-0.004	7.000	7.739	12	M20 x 80	M20	362	65323	80909	11.614	15.95	2.106	2.405	0.299	9.763	1/4	72
HHC2601	HHT2601	260-10	10.236	+0/-0.004	7.625	8.383	14	M20 x 90	M20	362	81099	102632	12.638	16.93	2.323	2.640	0.318	10.551	1/4	89
HHC2801	HHT2801	280-10	11.024	+0/-0.005	8.375	9.028	16	M20 x 100	M20	362	105291	126689	13.622	18.11	2.338	2.994	0.356	11.338	5/16	115
HHC3001	HHT3001	300-10	11.811	+0/-0.005	9.000	9.673	18	M20 x 100	M20	362	128639	153375	14.331	19.10	2.796	3.154	0.359	12.125	5/16	133
HHC3201	HHT3201	320-10	12.598	+0/-0.005	9.625	10.318	20	M20 x 100	M20	362	155246	179864	15.197	20.48	2.796	3.154	0.359	12.913	5/16	153
HHC3401	HHT3401	340-10	13.386	+0/-0.005	10.250	10.963	24	M20 x 110	M20	362	196044	231196	16.063	22.44	3.032	3.464	0.432	13.700	5/16	209
HHC3501	HHT3501	350-10	13.780	+0/-0.005	10.875	11.285	24	M20 x 110	M20	362	216343	237049	17.008	22.84	3.150	3.544	0.395	14.488	5/16	220
HHC3601	HHT3601	360-10	14.173	+0/-0.005	11.250	11.608	24	M20 x 110	M20	362	225703	243851	17.008	23.23	3.150	3.544	0.395	14.488	5/16	225
HHC3801	HHT3801	380-10	14.961	+0/-0.005	11.500	12.253	20	M24 x 120	M24	620	267503	311526	18.031	25.40	3.229	3.624	0.396	15.276	5/16	292
HHC3901	HHT3901	390-10	15.354	+0/-0.005	12.250	12.575	21	M24 x 120	M24	620	316592	336924	18.425	25.99	3.327	3.722	0.396	15.629	3/8	305
HHC4201	HHT4201	420-10	16.535	+0/-0.006	12.500	13.543	24	M24 x 130	M24	620	342747	414833	19.843	27.17	3.720	4.117	0.397	16.929	3/8	364
HHC4401	HHT4401	440-10	17.323	+0/-0.006	13.500	14.187	24	M24 x 130	M24	620	384372	426268	20.748	29.53	3.977	4.467	0.491	17.716	3/8	467
HHC4601	HHT4601	460-10	18.110	+0/-0.006	14.125	14.832	28	M24 x 130	M24	620	467097	525790	21.535	30.32	3.977	4.467	0.491	18.425	3/8	483
HHC4801	HHT4801	480-10	18.898	+0/-0.006	14.750	15.477	30	M24 x 150	M24	620	523543	588179	22.441	31.50	4.292	4.786	0.495	19.291	1/2	555
HHC5001	HHT5001	500-10	19.685	+0/-0.006	15.375	16.122	24	M27 x 150	M27	922	584795	655074	23.228	33.46	4.292	4.786	0.495	19.999	1/2	626

### Specifications for Web Clearance Holes (diameter in inches)

Screw Size	M5	M6	M8	M10	M12	M16	M20	M24	M27
Split Shrink Disc	0.281	0.328	0.406	0.500	0.594	0.750	0.906	1.063	1.188
Half Shrink Disc HT	0.219	0.266	0.359	0.438	0.531	0.719	0.875	1.031	1.156

Table 1

#### Notes:

- Type HT: Screw length must be determined based on your X dimension. Please consult Technical Services.
- Inner rings of all shrink discs are supplied with one lengthwise slit.
- Shrink discs are available for shafts up to 40" diameter and in a variety of special designs.
- Maximum shaft sizes listed for Shrink Disc Series SD10 and SD30 reflect equal section moduli of shaft and hub (maximum shaft diameter =  $\frac{d}{1.221}$ ).
- Larger shrink discs for shafts up to 40" diameter are available on request.

### For Series SD10, SD20 and SD30

Shaft Sizes (inch)	Maximum Diametrical Clearance Between Shaft and Hub Bore	
	>	≤
1 1/8	1 1/8	0.0010
1 15/16	1 15/16	0.0015
4 3/4	4 3/4	0.0020
7	7	0.0030
10	10	0.0040
14	14	0.0050
14	14	0.0060

Please note not all catalog items shown are stock. Some products are make-to-order (MTO) based on annual demand. Please verify with your customer service representative for current availability of the item desired.

B-LOC  
Shrink Disc  
**Half  
Metric**

## SD10 — Half SD — Standard Duty

Type HC Part Number	Type HT Part Number	Size	SD bore (Hub OD)		Shaft Diameter Range		Locking Screws			M <sub>a</sub> Install Torque (Nm)	M <sub>t</sub> Max. Transmitted Torque		A (mm)	D (mm)	L (mm)	H <sub>1</sub> (mm)	e (mm)	d <sub>1</sub> (mm)	R (mm)	Ship wt (kg)
			d (mm)	T <sub>Ld</sub> (mm)	ds-MIN (mm)	ds-MAX (mm)	Qty	HC Size	HT Size		ds-MIN (Nm)	ds-MAX (Nm)								
HHC0241	HHT0241	24-10	24	+ 0 / -0.05	16	20	6	M5 x 16	M5	5	94	188	36	50	9.5	11.5	2	26	1.6	0.1
HHC0301	HHT0301	30-10	30	+ 0 / -0.05	19	25	7	M5 x 18	M5	5	121	277	44	60	10.5	12.5	2	32	1.6	0.2
HHC0361	HHT0361	36-10	36	+ 0 / -0.05	22	29	5	M6 x 20	M6	12	214	452	52	72	11.4	13.5	2	38	1.6	0.3
HHC0441	HHT0441	44-10	44	+ 0 / -0.05	29	36	7	M6 x 20	M6	12	464	812	61	80	12.5	14.5	2	47	1.6	0.4
HHC0501	HHT0501	50-10	50	+ 0 / -0.05	35	41	8	M6 x 22	M6	12	654	1062	70	90	13.5	15.5	2	53	1.6	0.5
HHC0551	HHT0551	55-10	55	+ 0 / -0.05	38	45	8	M6 x 25	M6	12	687	1158	75	100	14.0	17.0	3	58	2.4	0.6
HHC0621	HHT0621	62-10	62	+ 0 / -0.05	44	51	10	M6 x 25	M6	12	1165	1611	86	110	14.0	17.0	3	66	2.4	0.7
HHC0681	HHT0681	68-10	68	+ 0 / -0.05	48	56	10	M6 x 25	M6	12	1193	1767	86	115	14.0	17.0	3	72	2.4	0.7
HHC0751	HHT0751	75-10	75	+ 0 / -0.05	54	61	7	M8 x 25	M8	30	1893	2751	100	138	17.5	20.5	3	79	3.2	1.2
HHC0801	HHT0801	80-10	80	+ 0 / -0.05	60	66	7	M8 x 25	M8	30	2316	2937	100	145	17.5	20.5	3	84	3.2	1.3
HHC0901	HHT0901	90-10	90	+ 0 / -0.10	64	74	10	M8 x 30	M8	30	3222	4841	114	155	20.0	24.0	4	94	3.2	1.8
HHC0951	HHT0951	95-10	95	+ 0 / -0.10	70	78	12	M8 x 30	M8	30	4632	6175	124	170	22.0	26.5	4	104	3.2	2.7
HHC1001	HHT1001	100-10	100	+ 0 / -0.10	73	82	12	M8 x 35	M8	30	4787	6499	124	170	22.0	26.5	4	104	3.2	2.7
HHC1101	HHT1101	110-10	110	+ 0 / -0.10	79	90	9	M10 x 40	M10	60	6111	8544	136	185	24.5	29.5	5	114	3.2	3.2
HHC1251	HHT1251	125-10	125	+ 0 / -0.10	89	102	12	M10 x 40	M10	60	9295	13248	160	215	26.0	31.0	5	134	3.2	5.0
HHC1401	HHT1401	140-10	140	+ 0 / -0.10	102	115	10	M12 x 45	M12	100	13321	17926	175	230	28.0	34.0	6	145	4.8	5.9
HHC1551	HHT1551	155-10	155	+ 0 / -0.10	114	127	12	M12 x 50	M12	100	18656	23086	192	263	30.0	36.0	6	165	4.8	7.7
HHC1651	HHT1651	165-10	165	+ 0 / -0.10	124	135	8	M16 x 55	M16	251	25586	31958	210	290	33.0	39.0	6	175	4.8	10.9
HHC1751	HHT1751	175-10	175	+ 0 / -0.10	133	143	8	M16 x 55	M16	251	28218	33904	220	300	33.0	39.0	6	185	4.8	11.3
HHC1851	HHT1851	185-10	185	+ 0 / -0.10	143	152	10	M16 x 65	M16	251	38512	44725	236	330	40.5	47.5	7	195	4.8	17.7
HHC1951	HHT1951	195-10	195	+ 0 / -0.10	149	160	12	M16 x 65	M16	251	48754	57580	246	350	40.5	47.5	7	206	4.8	20.0
HHC2001	HHT2001	200-10	200	+ 0 / -0.10	159	164	12	M16 x 65	M16	251	54697	59051	246	350	40.5	47.5	7	206	4.8	19.5
HHC2201	HHT2201	220-10	220	+ 0 / -0.10	162	180	15	M16 x 80	M16	251	62532	78937	270	370	51.5	59.0	8	226	6.4	25.9
HHC2401	HHT2401	240-10	240	+ 0 / -0.10	178	197	12	M20 x 80	M20	491	88578	109713	295	405	53.5	61.0	8	248	6.4	32.7
HHC2601	HHT2601	260-10	260	+ 0 / -0.10	194	213	14	M20 x 90	M20	491	109970	139169	321	430	59.0	67.0	8	268	6.4	40.4
HHC2801	HHT2801	280-10	280	+ 0 / -0.13	213	229	16	M20 x 100	M20	491	142775	171790	346	460	67.0	76.0	9	288	7.9	52.2
HHC3001	HHT3001	300-10	300	+ 0 / -0.13	229	246	18	M20 x 100	M20	491	174434	207977	364	485	71.0	80.0	9	308	7.9	60.3
HHC3201	HHT3201	320-10	320	+ 0 / -0.13	244	262	20	M20 x 100	M20	491	210514	243896	386	520	71.0	80.0	9	328	7.9	69.4
HHC3401	HHT3401	340-10	340	+ 0 / -0.13	260	278	24	M20 x 110	M20	491	265836	313502	408	570	77.0	88.0	11	348	7.9	94.8
HHC3501	HHT3501	350-10	350	+ 0 / -0.13	276	287	24	M20 x 110	M20	491	293361	321438	432	580	80.0	90.0	10	368	7.9	99.8
HHC3601	HHT3601	360-10	360	+ 0 / -0.13	286	295	24	M20 x 110	M20	491	306053	330662	432	590	80.0	90.0	10	368	7.9	102.1
HHC3801	HHT3801	380-10	380	+ 0 / -0.13	292	311	20	M24 x 120	M24	841	362734	422429	458	645	82.0	92.0	10	388	7.9	132.4
HHC3901	HHT3901	390-10	390	+ 0 / -0.13	311	319	21	M24 x 120	M24	841	429299	456869	468	660	84.5	94.5	10	397	9.5	138.3
HHC4201	HHT4201	420-10	420	+ 0 / -0.15	318	344	24	M24 x 130	M24	841	464765	562514	504	690	94.5	104.5	10	430	9.5	165.1
HHC4401	HHT4401	440-10	440	+ 0 / -0.15	343	360	24	M24 x 130	M24	841	521208	578019	527	750	101.0	113.5	12	450	9.5	211.8
HHC4601	HHT4601	460-10	460	+ 0 / -0.15	359	377	28	M24 x 130	M24	841	633384	712971	547	770	101.0	113.5	12	468	9.5	219.1
HHC4801	HHT4801	480-10	480	+ 0 / -0.15	375	393	30	M24 x 150	M24	841	709924	797571	570	800	109.0	121.5	13	490	12.7	251.7
HHC5001	HHT5001	500-10	500	+ 0 / -0.15	391	409	24	M27 x 150	M27	1250	792982	888280	590	850	109.0	121.5	13	508	12.7	283.9

## Specifications for Web Clearance Holes (diameter in mm)

Screw Size	M5	M6	M8	M10	M12	M16	M20	M24	M27
Split Shrink Disc	7	8	10	13	15	19	23	27	30
Half Shrink Disc HT	5.5	7	9	11	13.5	18	22	26	30

Table 1

## Notes:

- Type HT: Screw length must be determined based on your X dimension. Please consult Technical Services.
- Inner rings of all shrink discs are supplied with one lengthwise slit.
- Shrink discs are available for shafts up to 40" diameter and in a variety of special designs.
- Maximum shaft sizes listed for Shrink Disc Series SD10 and SD30 reflect equal section moduli of shaft and hub (maximum shaft diameter =  $\frac{d}{1.221}$ ).
- Larger shrink discs for shafts up to 40" diameter are available on request.

## For Series SD10, SD20 and SD30

Shaft Sizes (mm)		Maximum Diametrical Clearance Between Shaft and Hub Bore
>	≤	
	30	0.025
30	50	0.038
50	120	0.051
120	180	0.076
180	255	0.102
255	355	0.127
355		0.152

Please note not all catalog items shown are stock. Some products are make-to-order (MTO) based on annual demand. Please verify with your customer service representative for current availability of the item desired.

# B-LOC Half Shrink Discs

B-LOC  
Shrink Disc

# Half Inch

SD20 — Half SD — Light Duty

Type HC Part Number	Type HT Part Number	Size	SD bore (Hub OD)		Shaft Diameter Range		Locking Screws			Ma Install Torque (ft lb)	Mt Max. Transmitted Torque		A (inch)	D (inch)	L (inch)	Hi (inch)	e (inch)	d1 (inch)	R (inch)	Ship wt (lb)
			d	Tl d	ds-MIN	ds-MAX	Qty	HC Size	HT Size		ds-MIN	ds-MAX								
			(inch)	(inch)	(inch)	(inch)					(ft lb)	(ft lb)								
HHC1252	HHT1252	125-20	4.921	+ 0 / -0.004	3.625	4.125	8	M10 x 40	M10	44	4690	6672	6.220	7.28	0.965	1.202	0.238	5.118	1/8	7
HHC1402	HHT1402	140-20	5.512	+ 0 / -0.004	4.250	5.00	9	M10 x 40	M10	44	6846	10164	6.889	8.67	0.965	1.202	0.238	5.669	1/8	10
HHC1552	HHT1552	155-20	6.102	+ 0 / -0.004	5.000	5.500	11	M10 x 40	M10	44	10572	13724	7.559	9.65	0.965	1.202	0.238	6.259	1/8	12
HHC1652	HHT1652	165-20	6.496	+ 0 / -0.004	5.375	5.750	10	M12 x 50	M12	74	15326	18339	8.267	10.24	1.103	1.417	0.315	6.653	3/16	16
HHC1752	HHT1752	175-20	6.890	+ 0 / -0.004	5.625	6.125	11	M12 x 50	M12	74	17470	21794	8.661	10.83	1.103	1.417	0.315	7.047	3/16	17
HHC1852	HHT1852	185-20	7.283	+ 0 / -0.004	6.000	6.500	12	M12 x 50	M12	74	20822	25518	8.858	11.62	1.103	1.417	0.315	7.440	3/16	20
HHC1952	HHT1952	195-20	7.677	+ 0 / -0.004	6.500	7.000	15	M12 x 60	M12	74	29490	35537	9.330	12.40	1.299	1.617	0.318	7.834	3/16	27
HHC2202	HHT2202	220-20	8.661	+ 0 / -0.004	7.000	7.875	10	M16 x 70	M16	185	38227	50448	10.433	13.59	1.496	1.852	0.356	8.818	3/16	37
HHC2402	HHT2402	240-20	9.449	+ 0 / -0.004	7.875	8.500	12	M16 x 70	M16	185	53506	64932	11.417	14.57	1.594	1.950	0.356	9.606	1/4	42
HHC2602	HHT2602	260-20	10.236	+ 0 / -0.004	8.625	9.250	14	M16 x 70	M16	185	69970	83309	12.204	15.55	1.712	2.110	0.398	10.433	1/4	51
HHC2802	HHT2802	280-20	11.024	+ 0 / -0.005	9.000	9.875	16	M16 x 75	M16	185	79362	100198	13.110	16.74	1.949	2.345	0.397	11.220	1/4	67
HHC3002	HHT3002	300-20	11.811	+ 0 / -0.005	9.875	10.625	18	M16 x 75	M16	185	114968	135644	14.094	18.11	1.949	2.345	0.397	12.007	1/4	79
HHC3202	HHT3202	320-20	12.598	+ 0 / -0.005	10.500	11.375	20	M16 x 75	M16	185	119470	146023	14.881	19.49	1.949	2.385	0.437	12.795	1/4	96
HHC3402	HHT3402	340-20	13.386	+ 0 / -0.005	11.375	12.000	21	M16 x 75	M16	185	140500	160429	15.826	21.07	1.949	2.385	0.437	13.582	1/4	114
HHC3602	HHT3602	360-20	14.173	+ 0 / -0.005	11.875	12.625	16	M20 x 90	M20	362	170938	199015	16.653	21.85	2.363	2.799	0.437	14.370	5/16	137
HHC3802	HHT3802	380-20	14.961	+ 0 / -0.005	12.500	13.000	18	M20 x 100	M20	362	201670	222315	17.401	23.03	2.599	3.069	0.471	15.236	5/16	168
HHC3902	HHT3902	390-20	15.354	+ 0 / -0.005	12.625	13.75	20	M20 x 100	M20	362	223086	274543	17.795	23.43	2.599	3.074	0.476	15.629	5/16	172
HHC4202	HHT4202	420-20	16.535	+ 0 / -0.006	13.750	14.625	22	M20 x 100	M20	362	272248	312909	19.094	24.81	2.756	3.229	0.473	16.810	5/16	199
HHC4602	HHT4602	460-20	18.110	+ 0 / -0.006	14.625	16.375	28	M20 x 110	M20	362	352227	463928	20.747	26.97	3.090	3.602	0.512	18.425	3/8	257
HHC5002	HHT5002	500-20	19.685	+ 0 / -0.006	16.250	17.375	30	M20 x 120	M20	362	430064	507476	22.519	29.53	3.484	3.997	0.513	19.999	3/8	350

B-LOC  
Shrink Disc

# Half Metric

SD20 — Half SD — Light Duty

Type HC Part Number	Type HT Part Number	Size	SD bore (Hub OD)		Shaft Diameter Range		Locking Screws			Ma Install Torque (Nm)	Mt Max. Transmitted Torque		A (mm)	D (mm)	L (mm)	Hi (mm)	e (mm)	d1 (mm)	R (mm)	Ship wt (kg)
			d	Tl d	ds-MIN	ds-MAX	Qty	HC Size	HT Size		ds-MIN	ds-MAX								
			(mm)	(mm)	(mm)	(mm)					(Nm)	(Nm)								
HHC1252	HHT1252	125-20	125	+ 0 / -0.10	92	105	8	M10 x 40	M10	60	6360	9047	158	185	24.5	30.5	6	130	3.2	3.2
HHC1402	HHT1402	140-20	140	+ 0 / -0.10	108	127	9	M10 x 40	M10	60	9283	13782	175	220	24.5	30.5	6	144	3.2	4.5
HHC1552	HHT1552	155-20	155	+ 0 / -0.10	127	140	11	M10 x 40	M10	60	14336	18610	192	245	24.5	30.5	6	159	3.2	5.4
HHC1652	HHT1652	165-20	165	+ 0 / -0.10	137	146	10	M12 x 50	M12	100	20782	24868	210	260	28.0	36.0	8	169	4.8	7.3
HHC1752	HHT1752	175-20	175	+ 0 / -0.10	143	156	11	M12 x 50	M12	100	23689	29553	220	275	28.0	36.0	8	179	4.8	7.7
HHC1852	HHT1852	185-20	185	+ 0 / -0.10	152	165	12	M12 x 50	M12	100	28235	34602	225	295	28.0	36.0	8	189	4.8	9.1
HHC1952	HHT1952	195-20	195	+ 0 / -0.10	165	178	15	M12 x 60	M12	100	39988	48188	237	315	33.0	41.0	8	199	4.8	12.2
HHC2202	HHT2202	220-20	220	+ 0 / -0.10	178	200	10	M16 x 70	M16	251	51836	68407	265	345	38.0	47.0	9	224	4.8	16.8
HHC2402	HHT2402	240-20	240	+ 0 / -0.10	200	216	12	M16 x 70	M16	251	72554	88048	290	370	40.5	49.5	9	244	6.4	19.1
HHC2602	HHT2602	260-20	260	+ 0 / -0.10	219	235	14	M16 x 70	M16	251	94879	112967	310	395	43.5	53.5	10	265	6.4	23.1
HHC2802	HHT2802	280-20	280	+ 0 / -0.13	229	251	16	M16 x 75	M16	251	107615	135868	333	425	49.5	59.5	10	285	6.4	30.4
HHC3002	HHT3002	300-20	300	+ 0 / -0.13	251	270	18	M16 x 75	M16	251	155897	183933	358	460	49.5	59.5	10	305	6.4	35.8
HHC3202	HHT3202	320-20	320	+ 0 / -0.13	267	289	20	M16 x 75	M16	251	162001	198007	378	495	49.5	60.5	11	325	6.4	43.5
HHC3402	HHT3402	340-20	340	+ 0 / -0.13	289	305	21	M16 x 75	M16	251	190518	217542	402	535	49.5	60.5	11	345	6.4	51.7
HHC3602	HHT3602	360-20	360	+ 0 / -0.13	302	321	16	M20 x 90	M20	491	231792	269864	423	555	60.0	71.0	11	365	7.9	62.1
HHC3802	HHT3802	380-20	380	+ 0 / -0.13	318	330	18	M20 x 100	M20	491	273465	301459	442	585	66.0	78.0	12	387	7.9	76.2
HHC3902	HHT3902	390-20	390	+ 0 / -0.13	321	349	20	M20 x 100	M20	491	302505	372280	452	595	66.0	78.0	12	397	7.9	78.0
HHC4202	HHT4202	420-20	420	+ 0 / -0.15	349	371	22	M20 x 100	M20	491	369168	424305	485	630	70.0	82.0	12	427	7.9	90.3
HHC4602	HHT4602	460-20	460	+ 0 / -0.15	371	416	28	M20 x 110	M20	491	477620	629086	527	685	78.5	91.5	13	468	9.5	116.6
HHC5002	HHT5002	500-20	500	+ 0 / -0.15	413	441	30	M20 x 120	M20	491	583167	688137	572	750	88.5	101.5	13	508	9.5	158.8

Please note not all catalog items shown are stock. Some products are make-to-order (MTO) based on annual demand. Please verify with your customer service representative for current availability of the item desired.

B-LOC  
Shrink Disc  
**Half  
Inch**

**SD30 — Half SD — Heavy Duty**

Type HC Part Number	Type HT Part Number	Size	SD bore (Hub OD)		Shaft Diameter Range		Locking Screws			Ma Install Torque (ft lb)	Mt Max. Transmitted Torque		A (inch)	D (inch)	L (inch)	H <sub>1</sub> (inch)	e (inch)	d <sub>1</sub> (inch)	R (inch)	Ship wt (lb)
			d (inch)	T <sub>L</sub> d (inch)	ds-MIN (inch)	ds-MAX (inch)	Qty	HC Size	HT Size		ds-MIN (ft lb)	ds-MAX (ft lb)								
HHC0443	HHT0443	44-30	1.732	+ 0 / -0.002	1.125	1.419	5	M8 x 30	M8	22	471	827	2.598	3.35	0.649	0.768	0.119	1.890	1/16	1.2
HHC0503	HHT0503	50-30	1.969	+ 0 / -0.002	1.375	1.612	7	M8 x 35	M8	22	881	1375	2.874	3.74	0.689	0.868	0.180	1.984	1/16	1.8
HHC0553	HHT0553	55-30	2.165	+ 0 / -0.002	1.500	1.773	7	M8 x 35	M8	22	946	1512	3.071	4.13	0.689	0.868	0.180	2.323	3/32	2.1
HHC0623	HHT0623	62-30	2.441	+ 0 / -0.002	1.750	1.999	7	M8 x 35	M8	22	1177	1622	3.346	4.53	0.689	0.868	0.180	2.598	3/32	2.3
HHC0683	HHT0683	68-30	2.677	+ 0 / -0.002	1.875	2.193	8	M8 x 35	M8	22	1431	2087	3.622	4.72	0.689	0.868	0.180	2.835	3/32	2.5
HHC0753	HHT0753	75-30	2.953	+ 0 / -0.002	2.125	2.418	7	M10 x 40	M10	44	2276	3265	4.134	5.71	0.906	1.102	0.197	3.307	1/8	4.6
HHC0803	HHT0803	80-30	3.150	+ 0 / -0.002	2.375	2.580	7	M10 x 40	M10	44	2771	3486	4.134	5.71	0.906	1.102	0.197	3.307	1/8	4.4
HHC0903	HHT0903	90-30	3.543	+ 0 / -0.004	2.500	2.902	8	M10 x 40	M10	44	2973	4497	4.567	6.30	0.985	1.182	0.198	3.701	1/8	6
HHC1003	HHT1003	100-30	3.937	+ 0 / -0.004	2.875	3.224	10	M10 x 45	M10	44	4685	6350	4.961	6.69	1.063	1.262	0.199	4.094	1/8	7
HHC1103	HHT1103	110-30	4.331	+ 0 / -0.004	3.125	3.547	12	M10 x 45	M10	44	6058	8440	5.354	7.28	1.182	1.377	0.196	4.482	1/8	9
HHC1253	HHT1253	125-30	4.921	+ 0 / -0.004	3.500	4.031	12	M12 x 50	M12	74	10046	14197	6.299	8.47	1.260	1.497	0.237	5.157	3/16	13
HHC1403	HHT1403	140-30	5.512	+ 0 / -0.004	4.000	4.514	12	M12 x 60	M12	74	11638	15746	6.889	9.06	1.378	1.657	0.279	5.744	3/16	16
HHC1553	HHT1553	155-30	6.102	+ 0 / -0.004	4.500	4.998	15	M12 x 60	M12	74	17077	21137	7.795	10.36	1.496	1.772	0.276	6.496	3/16	23
HHC1653	HHT1653	165-30	6.496	+ 0 / -0.004	4.875	5.320	10	M16 x 70	M16	185	23479	29372	8.267	11.42	1.614	1.932	0.318	6.940	3/16	32
HHC1753	HHT1753	175-30	6.890	+ 0 / -0.004	5.250	5.643	10	M16 x 70	M16	185	25902	31160	8.661	11.82	1.614	1.932	0.318	7.322	3/16	33
HHC1853	HHT1853	185-30	7.283	+ 0 / -0.004	5.625	5.965	15	M16 x 80	M16	185	43424	50186	9.291	12.99	2.008	2.402	0.394	7.704	3/16	53
HHC1953	HHT1953	195-30	7.677	+ 0 / -0.004	5.875	6.288	15	M16 x 80	M16	185	44744	52910	9.685	13.78	2.106	2.500	0.394	8.102	1/4	60
HHC2003	HHT2003	200-30	7.874	+ 0 / -0.004	6.250	6.449	15	M16 x 80	M16	185	50233	54262	9.685	13.78	2.106	2.500	0.394	8.102	1/4	59
HHC2203	HHT2203	220-30	8.661	+ 0 / -0.004	6.375	7.094	20	M16 x 90	M16	185	61729	77875	10.629	14.57	2.539	2.935	0.396	8.901	1/4	76
HHC2403	HHT2403	240-30	9.449	+ 0 / -0.004	7.000	7.739	15	M20 x 100	M20	362	81259	100713	11.614	15.95	2.657	3.130	0.473	9.692	1/4	99
HHC2603	HHT2603	260-30	10.236	+ 0 / -0.005	7.625	8.383	18	M20 x 110	M20	362	103867	131626	12.637	16.93	2.972	3.445	0.473	10.511	1/4	121
HHC2803	HHT2803	280-30	11.024	+ 0 / -0.005	8.375	9.028	21	M20 x 120	M20	362	138411	166467	13.622	18.11	3.307	3.779	0.472	11.370	5/16	149
HHC3003	HHT3003	300-30	11.811	+ 0 / -0.005	9.000	9.673	22	M20 x 120	M20	362	156895	187186	14.330	19.10	3.386	3.859	0.473	12.177	5/16	165
HHC3203	HHT3203	320-30	12.598	+ 0 / -0.005	9.625	10.318	24	M20 x 120	M20	362	184479	213912	15.196	20.48	3.544	4.019	0.476	12.964	5/16	200
HHC3403	HHT3403	340-30	13.386	+ 0 / -0.005	10.250	10.963	21	M24 x 130	M24	620	244665	288982	16.535	22.44	3.859	4.334	0.476	13.724	5/16	272
HHC3603	HHT3603	360-30	14.173	+ 0 / -0.005	11.000	11.608	22	M24 x 140	M24	620	281430	321267	17.007	23.23	4.035	4.512	0.477	14.515	3/8	286
HHC3903	HHT3903	390-30	15.354	+ 0 / -0.005	11.625	12.575	24	M24 x 140	M24	620	314475	381014	18.425	25.99	4.193	4.667	0.475	15.609	3/8	384
HHC4203	HHT4203	420-30	16.535	+ 0 / -0.006	12.500	13.543	30	M24 x 160	M24	620	426421	516866	19.842	27.17	4.705	5.177	0.472	16.811	3/8	462
HHC4603	HHT4603	460-30	18.110	+ 0 / -0.006	13.625	14.832	28	M27 x 170	M27	922	572280	701947	21.535	30.32	5.000	5.556	0.556	18.503	1/2	624
HHC5003	HHT5003	500-30	19.685	+ 0 / -0.006	14.875	16.122	32	M27 x 180	M27	922	721680	874666	23.622	33.47	5.434	5.986	0.552	19.999	1/2	838

Please note not all catalog items shown are stock. Some products are make-to-order (MTO) based on annual demand. Please verify with your customer service representative for current availability of the item desired.

B-LOC  
Shrink Disc  
**Half**  
Metric

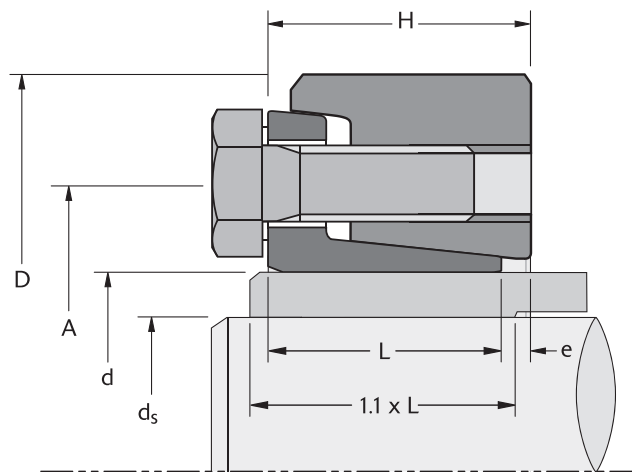
## SD30 — Half SD — Heavy Duty

Type HC Part Number	Type HT Part Number	Size	SD bore (Hub OD)		Shaft Diameter Range		Locking Screws			M <sub>a</sub> Install Torque (Nm)	M <sub>t</sub> Max. Transmitted Torque		A (mm)	D (mm)	L (mm)	H <sub>1</sub> (mm)	e (mm)	d <sub>1</sub> (mm)	R (mm)	Ship wt (kg)
			d (mm)	T <sub>L</sub> d (mm)	ds-MIN (mm)	ds-MAX (mm)	Qty	HC Size	HT Size		ds-MIN (Nm)	ds-MAX (Nm)								
HHC0443	HHT0443	44-30	44	+0 / -0.05	29	36	5	M8 x 30	M8	30	639	1121	66	85	16.5	19.5	3	48	1.6	0.5
HHC0503	HHT0503	50-30	50	+0 / -0.05	35	41	7	M8 x 35	M8	30	1195	1865	73	95	17.5	22.0	5	50	1.6	0.8
HHC0553	HHT0553	55-30	55	+0 / -0.05	38	45	7	M8 x 35	M8	30	1283	2050	78	105	17.5	22.0	5	59	2.4	1.0
HHC0623	HHT0623	62-30	62	+0 / -0.05	44	51	7	M8 x 35	M8	30	1596	2199	85	115	17.5	22.0	5	66	2.4	1.0
HHC0683	HHT0683	68-30	68	+0 / -0.05	48	56	8	M8 x 35	M8	30	1940	2830	92	120	17.5	22.0	5	72	2.4	1.1
HHC0753	HHT0753	75-30	75	+0 / -0.05	54	61	7	M10 x 40	M10	60	3086	4427	105	145	23.0	28.0	5	84	3.2	2.1
HHC0803	HHT0803	80-30	80	+0 / -0.05	60	66	7	M10 x 40	M10	60	3757	4727	105	145	23.0	28.0	5	84	3.2	2.0
HHC0903	HHT0903	90-30	90	+0 / -0.10	64	74	8	M10 x 40	M10	60	4031	6098	116	160	25.0	30.0	5	94	3.2	2.7
HHC1003	HHT1003	100-30	100	+0 / -0.10	73	82	10	M10 x 45	M10	60	6353	8611	126	170	27.0	32.0	5	104	3.2	3.2
HHC1103	HHT1103	110-30	110	+0 / -0.10	79	90	12	M10 x 45	M10	60	8215	11445	136	185	30.0	35.0	5	114	3.2	4.1
HHC1253	HHT1253	125-30	125	+0 / -0.10	89	102	12	M12 x 50	M12	100	13622	19251	160	215	32.0	38.0	6	131	4.8	5.9
HHC1403	HHT1403	140-30	140	+0 / -0.10	102	115	12	M12 x 60	M12	100	15781	21352	175	230	35.0	42.0	7	146	4.8	7.3
HHC1553	HHT1553	155-30	155	+0 / -0.10	114	127	15	M12 x 60	M12	100	23156	28662	198	263	38.0	45.0	7	165	4.8	10.4
HHC1653	HHT1653	165-30	165	+0 / -0.10	124	135	10	M16 x 70	M16	251	31838	39828	210	290	41.0	49.0	8	176	4.8	14.5
HHC1753	HHT1753	175-30	175	+0 / -0.10	133	143	10	M16 x 70	M16	251	35123	42253	220	300	41.0	49.0	8	186	4.8	15.0
HHC1853	HHT1853	185-30	185	+0 / -0.10	143	152	15	M16 x 80	M16	251	58883	68052	236	330	51.0	61.0	10	196	4.8	24.0
HHC1953	HHT1953	195-30	195	+0 / -0.10	149	160	15	M16 x 80	M16	251	60673	71746	246	350	53.5	63.5	10	206	6.4	27.2
HHC2003	HHT2003	200-30	200	+0 / -0.10	159	164	15	M16 x 80	M16	251	68116	73579	246	350	53.5	63.5	10	206	6.4	26.8
HHC2203	HHT2203	220-30	220	+0 / -0.10	162	180	20	M16 x 90	M16	251	83705	105599	270	370	64.5	74.5	10	226	6.4	34.5
HHC2403	HHT2403	240-30	240	+0 / -0.10	178	197	15	M20 x 100	M20	491	110187	136567	295	405	67.5	79.5	12	246	6.4	44.9
HHC2603	HHT2603	260-30	260	+0 / -0.13	194	213	18	M20 x 110	M20	491	140844	178485	321	430	75.5	87.5	12	267	6.4	54.9
HHC2803	HHT2803	280-30	280	+0 / -0.13	213	229	21	M20 x 120	M20	491	187685	225729	346	460	84.0	96.0	12	289	7.9	67.6
HHC3003	HHT3003	300-30	300	+0 / -0.13	229	246	22	M20 x 120	M20	491	212750	253824	364	485	86.0	98.0	12	309	7.9	74.8
HHC3203	HHT3203	320-30	320	+0 / -0.13	244	262	24	M20 x 120	M20	491	250154	290065	386	520	90.0	102.0	12	329	7.9	90.7
HHC3403	HHT3403	340-30	340	+0 / -0.13	260	278	21	M24 x 130	M24	841	331766	391860	420	570	98.0	110.0	12	349	7.9	123.4
HHC3603	HHT3603	360-30	360	+0 / -0.13	279	295	22	M24 x 140	M24	841	381619	435638	432	590	102.5	114.5	12	369	9.5	129.7
HHC3903	HHT3903	390-30	390	+0 / -0.13	295	319	24	M24 x 140	M24	841	426428	516655	468	660	106.5	118.5	12	396	9.5	174.2
HHC4203	HHT4203	420-30	420	+0 / -0.15	318	344	30	M24 x 160	M24	841	578227	700870	504	690	119.5	131.5	12	427	9.5	209.6
HHC4603	HHT4603	460-30	460	+0 / -0.15	346	377	28	M27 x 170	M27	1250	776012	951840	547	770	127.0	141.0	14	470	12.7	283.0
HHC5003	HHT5003	500-30	500	+0 / -0.15	378	409	32	M27 x 180	M27	1250	978598	1186047	600	850	138.0	152.0	14	508	12.7	380.1

Please note not all catalog items shown are stock. Some products are make-to-order (MTO) based on annual demand. Please verify with your customer service representative for current availability of the item desired.

We also offer SD40 Single Taper Shrink Discs as an alternative to SD10, SD20 & SD30 Double Taper Shrink Discs. The SD40 units have the following attributes:

- External locking device
- Simpler two piece design
- Integrated removal holes
- Provides extremely concentric and well-balanced mechanical interference fit



## The advantages of the SD40 over the SD10, SD20 and SD30 include:

- No torque wrench needed.\* Simply tighten the screws in clockwise sequence, using several passes, until the front faces of the flange and of the outer ring are aligned
- Save up to 80% of mounting time if using a powered tool
- High transmissible torque
- Aligning the two flanges (flush mounted) ensures concentricity, reducing the need for dynamic balancing

**Note:** Dynamic fit pressures vary between Single Taper and Double Taper shrink discs, as this is based on effective contact length. This should be taken into consideration.

\* A torque wrench is recommended for best performance.

For assistance or more information on B-LOC Single Taper Shrink Discs, contact Fenner Industrial Motion Technical Services group at [AE@fenner.com](mailto:AE@fenner.com).

# B-LOC Single Taper Shrink Discs

B-LOC  
Shrink Disc  
**SD40**  
Inch



Metric hex head locking screws  
ISO 4017 grade 12.9  
(See  $M_a$  for install torque.)

Shaft Sizes (inch)		Maximum Diametrical Clearance Between Shaft and Hub Bore
>	≤	
1.220	1.969	0.0013
2.008	3.150	0.0019
3.189	4.724	0.0027
4.764	7.087	0.0031
7.126	9.843	0.0035
9.882	12.402	0.0040
12.441	15.748	0.0044
15.787	19.685	0.0048

## SD40 — Single Taper — Standard Duty

Part Number	Size	SD bore (Hub OD)	Hub OD Tolerance	Shaft Diameter Range		Locking Screws		$M_a$	$M_t$		A (inch)	D (inch)	L (inch)	H (inch)	e (inch)	Ship wt (lb)
		d (inch)	T <sub>L</sub> d (inch)	ds-MIN (inch)	ds-MAX (inch)	Qty	Size	Install Torque (ft lb)	Max. Transmitted Torque							
									ds-MIN (ft lb)	ds-MAX (ft lb)						
H0504	50-40	1.969	+0/-0.0015	1.496	1.654	7	M8 x 20	26	1136	1571	2.677	3.543	0.906	1.024	0.118	1.8
H0554	55-40	2.165	+0/-0.0018	1.654	1.890	8	M8 x 20	26	1497	2264	2.835	3.937	1.024	1.142	0.118	2.6
H0624	62-40	2.441	+0/-0.0018	1.890	2.047	8	M8 x 20	26	1763	2117	3.150	4.331	1.024	1.142	0.118	3.1
H0684	68-40	2.677	+0/-0.0018	1.969	2.362	9	M8 x 20	26	1696	3171	3.386	4.528	1.024	1.142	0.118	3.1
H0754	75-40	2.953	+0/-0.0018	2.165	2.559	5	M10 x 25	52	2611	4417	3.937	5.433	1.063	1.220	0.157	5.1
H0804	80-40	3.150	+0/-0.0018	2.362	2.756	5	M10 x 25	52	3001	4853	4.016	5.709	1.063	1.220	0.157	5.5
H0904	90-40	3.543	+0/-0.0021	2.559	2.953	7	M10 x 25	52	4425	6770	4.488	6.102	1.339	1.496	0.157	7.5
H1004	100-40	3.937	+0/-0.0021	2.756	3.150	9	M10 x 25	52	5996	8776	4.882	6.693	1.535	1.693	0.157	10.4
H1104	110-40	4.331	+0/-0.0021	2.953	3.346	8	M12 x 30	89	8407	11136	5.354	7.283	1.732	1.929	0.197	13.7
H1154	115-40	4.528	+0/-0.0021	3.150	3.543	9	M12 x 30	89	10546	13717	5.787	7.756	1.831	2.087	0.256	16.8
H1204	120-40	4.724	+0/-0.0021	3.346	3.740	9	M12 x 30	89	10619	14823	5.787	7.756	1.831	2.087	0.256	16.1
H1254	125-40	4.921	+0/-0.0025	3.346	3.740	10	M12 x 30	89	11283	15634	6.299	8.465	1.890	2.087	0.197	20.3
H1304	130-40	5.118	+0/-0.0025	3.346	3.740	10	M12 x 30	89	10398	14454	6.299	8.465	1.890	2.087	0.197	19.4
H1354	135-40	5.315	+0/-0.0025	3.543	3.937	8	M14 x 40	142	12316	16888	6.496	9.055	2.047	2.283	0.236	24
H1404	140-40	5.512	+0/-0.0025	3.740	4.134	8	M14 x 40	142	13496	18142	6.772	9.055	2.047	2.283	0.236	24
H1554	155-40	6.102	+0/-0.0025	4.134	4.528	10	M14 x 40	142	19543	25147	7.480	10.354	2.205	2.441	0.236	35
H1654	165-40	6.496	+0/-0.0025	4.528	4.921	9	M16 x 50	218	28909	35398	8.031	11.417	2.402	2.677	0.276	49
H1754	175-40	6.890	+0/-0.0025	4.921	5.315	10	M16 x 50	218	36357	44617	8.465	11.811	2.362	2.677	0.315	51
H1804	180-40	7.087	+0/-0.0028	5.315	5.709	12	M16 x 50	218	50590	61283	8.858	12.598	3.031	3.346	0.315	75
H1854	185-40	7.283	+0/-0.0028	5.315	5.709	12	M16 x 50	218	48304	58555	8.858	12.598	3.031	3.346	0.315	73
H2004	200-40	7.874	+0/-0.0028	5.906	6.299	14	M16 x 50	218	67478	79646	9.449	13.386	3.031	3.346	0.315	82
H2204	220-40	8.661	+0/-0.0028	6.299	6.693	12	M20 x 55	420	91445	106932	10.630	14.567	3.701	4.055	0.354	117
H2404	240-40	9.449	+0/-0.0028	6.693	7.480	14	M20 x 55	420	111357	144543	11.654	15.945	3.819	4.213	0.394	146
H2604	260-40	10.236	+0/-0.0032	7.480	8.268	16	M20 x 55	420	146755	188791	12.520	16.929	4.291	4.685	0.394	179
H2804	280-40	11.024	+0/-0.0032	8.268	9.055	18	M20 x 55	420	190265	238938	13.386	18.110	4.803	5.197	0.394	229
H3004	300-40	11.811	+0/-0.0032	9.055	9.843	15	M24 x 65	723	262537	321534	14.173	19.094	5.118	5.512	0.394	265
H3204	320-40	12.598	+0/-0.0035	9.449	10.236	15	M24 x 65	723	264749	319322	14.961	20.472	5.118	5.512	0.394	306
H3404	340-40	13.386	+0/-0.0035	9.843	10.630	18	M24 x 70	723	359145	427729	15.827	22.441	5.630	6.102	0.472	421
H3504	350-40	13.780	+0/-0.0035	10.236	11.024	20	M24 x 65	723	379794	455015	16.299	22.835	5.787	6.260	0.472	441
H3604	360-40	14.173	+0/-0.0035	11.024	11.811	21	M24 x 65	723	460914	543510	16.693	23.228	5.787	6.260	0.472	452
H3904	390-40	15.354	+0/-0.0035	11.811	12.598	16	M27 x 90	1069	566372	653392	17.874	25.591	5.748	6.535	0.787	556
H4204	420-40	16.535	+0/-0.0038	12.992	13.780	18	M27 x 90	1069	700590	808997	19.134	26.378	6.535	7.323	0.787	635
H4404	440-40	17.323	+0/-0.0038	13.386	14.173	20	M27 x 90	1069	790560	905605	19.921	29.134	6.850	7.638	0.787	864
H4604	460-40	18.110	+0/-0.0038	14.173	14.961	21	M27 x 90	1069	898230	1019912	20.709	30.315	6.850	7.638	0.787	933
H4804	480-40	18.898	+0/-0.0038	14.961	15.748	20	M30 x 100	1453	1127581	1269912	21.732	31.496	7.520	8.386	0.866	1098
H5004	500-40	19.685	+0/-0.0038	15.748	16.535	20	M30 x 100	1453	1203540	1340708	22.520	33.465	7.520	8.386	0.866	1268

Please note not all catalog items shown are stock. Some products are make-to-order (MTO) based on annual demand. Please verify with your customer service representative for current availability of the item desired.



Metric hex head locking screws  
ISO 4017 grade 12.9  
(See  $M_a$  for install torque.)

Shaft Sizes (mm)		Maximum Diametrical Clearance Between Shaft and Hub Bore
>	≤	
31	50	0.032
51	80	0.048
81	120	0.069
121	180	0.079
181	250	0.090
251	315	0.101
316	400	0.111
401	500	0.123
400	500	0.122
500	560	0.137

B-LOC  
Shrink Disc  
**SD40**  
Metric

## SD40 — Single Taper — Standard Duty

Part Number	Size	SD bore (Hub OD)	Hub OD Tolerance	Shaft Diameter Range		Locking Screws		$M_a$	$M_t$		A (mm)	D (mm)	L (mm)	H (mm)	e (mm)	Ship wt (kb)
		d (mm)	T <sub>Ld</sub> (mm)	ds-MIN (mm)	ds-MAX (mm)	Qty	Size	Install Torque (Nm)	Max. Transmitted Torque							
									ds-MIN (Nm)	ds-MAX (Nm)						
H0504	50-40	50	+0/-0.039	38	42	7	M8 x 20	35	1540	2130	68	90	23	26	3	0.83
H0554	55-40	55	+0/-0.046	42	48	8	M8 x 20	35	2030	3070	72	100	26	29	3	1.2
H0624	62-40	62	+0/-0.046	48	52	8	M8 x 20	35	2390	2870	80	110	26	29	3	1.4
H0684	68-40	68	+0/-0.046	50	60	9	M8 x 20	35	2300	4300	86	115	26	29	3	1.4
H0754	75-40	75	+0/-0.046	55	65	5	M10 x 25	70	3540	5990	100	138	27	31	4	2.3
H0804	80-40	80	+0/-0.046	60	70	5	M10 x 25	70	4070	6580	102	145	27	31	4	2.5
H0904	90-40	90	+0/-0.054	65	75	7	M10 x 25	70	6000	9180	114	155	34	38	4	3.4
H1004	100-40	100	+0/-0.054	70	80	9	M10 x 25	70	8130	11900	124	170	39	43	4	4.7
H1104	110-40	110	+0/-0.054	75	85	8	M12 x 30	121	11400	15100	136	185	44	49	5	6.2
H1154	115-40	115	+0/-0.054	80	90	9	M12 x 30	121	14300	18600	147	197	46.5	53	6.5	7.6
H1204	120-40	120	+0/-0.054	85	95	9	M12 x 30	121	14400	20100	147	197	46.5	53	6.5	7.3
H1254	125-40	125	+0/-0.063	85	95	10	M12 x 30	121	15300	21200	160	215	48	53	5	9.2
H1304	130-40	130	+0/-0.063	85	95	10	M12 x 30	121	14100	19600	160	215	48	53	5	8.8
H1354	135-40	135	+0/-0.063	90	100	8	M14 x 40	193	16700	22900	165	230	52	58	6	11
H1404	140-40	140	+0/-0.063	95	105	8	M14 x 40	193	18300	24600	172	230	52	58	6	11
H1554	155-40	155	+0/-0.063	105	115	10	M14 x 40	193	26500	34100	190	263	56	62	6	16
H1654	165-40	165	+0/-0.063	115	125	9	M16 x 50	295	39200	48000	204	290	61	68	7	22
H1754	175-40	175	+0/-0.063	125	135	10	M16 x 50	295	49300	60500	215	300	60	68	8	23
H1804	180-40	180	+0/-0.072	135	145	12	M16 x 50	295	68600	83100	225	320	77	85	8	34
H1854	185-40	185	+0/-0.072	135	145	12	M16 x 50	295	65500	79400	225	320	77	85	8	33
H2004	200-40	200	+0/-0.072	150	160	14	M16 x 50	295	91500	108000	240	340	77	85	8	37
H2204	220-40	220	+0/-0.072	160	170	12	M20 x 55	570	124000	145000	270	370	94	103	9	53
H2404	240-40	240	+0/-0.072	170	190	14	M20 x 55	570	151000	196000	296	405	97	107	10	66
H2604	260-40	260	+0/-0.081	190	210	16	M20 x 55	570	199000	256000	318	430	109	119	10	81
H2804	280-40	280	+0/-0.081	210	230	18	M20 x 55	570	258000	324000	340	460	122	132	10	104
H3004	300-40	300	+0/-0.081	230	250	15	M24 x 65	980	356000	436000	360	485	130	140	10	120
H3204	320-40	320	+0/-0.089	240	260	15	M24 x 65	980	359000	433000	380	520	130	140	10	139
H3404	340-40	340	+0/-0.089	250	270	18	M24 x 70	980	487000	580000	402	570	143	155	12	191
H3504	350-40	350	+0/-0.089	260	280	20	M24 x 65	980	515000	617000	414	580	147	159	12	200
H3604	360-40	360	+0/-0.089	280	300	21	M24 x 65	980	625000	737000	424	590	147	159	12	205
H3904	390-40	390	+0/-0.089	300	320	16	M27 x 90	1450	768000	886000	454	650	146	166	20	252
H4204	420-40	420	+0/-0.097	330	350	18	M27 x 90	1450	950000	1097000	486	670	166	186	20	288
H4404	440-40	440	+0/-0.097	340	360	20	M27 x 90	1450	1072000	1228000	506	740	174	194	20	392
H4604	460-40	460	+0/-0.097	360	380	21	M27 x 90	1450	1218000	1383000	526	770	174	194	20	423
H4804	480-40	480	+0/-0.097	380	400	20	M30 x 100	1970	1529000	1722000	552	800	191	213	22	498
H5004	500-40	500	+0/-0.097	400	420	20	M30 x 100	1970	1632000	1818000	572	850	191	213	22	575

Please note not all catalog items shown are stock. Some products are make-to-order (MTO) based on annual demand. Please verify with your customer service representative for current availability of the item desired.

# B-LOC Single Taper Shrink Discs

B-LOC  
Shrink Disc  
**SD42**  
Inch



Metric hex head locking screws  
ISO 4017 grade 12.9  
(See  $M_A$  for install torque.)

Shaft Sizes (inch)		Maximum Diametrical Clearance Between Shaft and Hub Bore
>	≤	
4.764	7.087	0.0031
7.126	9.843	0.0035
9.882	12.402	0.0040
12.441	15.748	0.0044
15.787	19.685	0.0048

## SD42 — Single Taper — Heavy Duty

Part Number	Size	SD bore (Hub OD)	Hub OD Tolerance	Shaft Diameter Range		Locking Screws		$M_A$	$M_t$		A (inch)	D (inch)	L (inch)	H (inch)	e (inch)	Ship wt (lb)
		d (inch)	T <sub>L</sub> d (inch)	ds-MIN (inch)	ds-MAX (inch)	Qty	Size	Install Torque (ft lb)	Max. Transmitted Torque							
								ds-MIN (ft lb)	ds-MAX (ft lb)							
H14042	140-42	5.512	+0/-0.0025	3.740	4.134	8	M16 x 50	218	19174	25516	6.850	9.055	2.520	2.913	0.394	31
H15542	155-42	6.102	+0/-0.0025	4.134	4.528	10	M16 x 50	218	27434	35251	7.638	10.354	2.756	3.150	0.394	44
H16542	165-42	6.496	+0/-0.0025	4.528	4.921	12	M16 x 50	218	38864	47493	8.031	11.417	3.071	3.465	0.394	64
H17542	175-42	6.890	+0/-0.0025	4.921	5.315	14	M16 x 50	218	51844	63348	8.425	11.811	3.031	3.465	0.433	64
H18542	185-42	7.283	+0/-0.0028	5.315	5.709	12	M20 x 70	420	79646	95133	9.134	12.598	3.937	4.409	0.472	97
H20042	200-42	7.874	+0/-0.0028	5.906	6.299	12	M20 x 70	420	92183	108407	9.685	13.386	3.937	4.409	0.472	108
H22042	220-42	8.661	+0/-0.0028	6.299	6.693	15	M20 x 80	420	117994	137168	10.472	14.567	4.764	5.276	0.512	152
H24042	240-42	9.449	+0/-0.0028	6.693	7.480	18	M20 x 70	420	146018	188791	11.732	15.945	5.118	5.669	0.551	196
H26042	260-42	10.236	+0/-0.0032	7.480	8.268	18	M20 x 70	420	213127	271386	12.047	16.929	5.669	6.299	0.630	240
H28042	280-42	11.024	+0/-0.0032	8.268	9.055	16	M24 x 90	723	283186	351770	13.150	18.110	6.142	6.772	0.630	295
H30042	300-42	11.811	+0/-0.0032	9.055	9.843	16	M24 x 90	723	319322	389381	13.937	19.094	6.220	6.929	0.709	328
H32042	320-42	12.598	+0/-0.0035	9.449	10.236	16	M24 x 90	723	379794	455015	14.724	20.472	6.535	7.244	0.709	395
H34042	340-42	13.386	+0/-0.0035	9.843	10.630	20	M27 x 100	1069	490413	581858	16.299	22.441	7.323	8.110	0.787	564
H36042	360-42	14.173	+0/-0.0035	11.024	11.811	16	M27 x 100	1069	616519	724926	16.693	23.228	7.402	8.268	0.866	584
H39042	390-42	15.354	+0/-0.0035	11.811	12.598	20	M27 x 100	1069	798673	921829	17.953	25.591	7.717	8.661	0.945	756
H42042	420-42	16.535	+0/-0.0038	12.992	13.780	24	M27 x 100	1069	948378	1088496	19.606	26.772	8.701	9.685	0.984	897
H44042	440-42	17.323	+0/-0.0038	13.386	14.173	22	M30 x 110	1453	1075959	1228614	20.236	29.134	9.173	10.157	0.984	1171
H46042	460-42	18.110	+0/-0.0038	14.173	14.961	22	M30 x 110	1453	1158555	1313422	21.024	29.921	9.173	10.157	0.984	1208
H48042	480-42	18.898	+0/-0.0038	14.961	15.748	26	M30 x 110	1453	1467552	1652655	22.441	31.496	10.630	11.732	1.102	1567
H50042	500-42	19.685	+0/-0.0038	15.748	16.535	28	M30 x 110	1453	1693215	1884956	23.228	33.071	10.630	11.811	1.181	1803

Please note not all catalog items shown are stock. Some products are make-to-order (MTO) based on annual demand. Please verify with your customer service representative for current availability of the item desired.



Metric hex head locking screws  
ISO 4017 grade 12.9  
(See  $M_a$  for install torque.)

Shaft Sizes (mm)		Maximum Diametrical Clearance Between Shaft and Hub Bore
>	≤	
121	180	0.079
181	250	0.090
251	315	0.101
316	400	0.111
401	500	0.123

B-LOC  
Shrink Disc  
**SD42**  
Metric

## SD42 — Single Taper — Heavy Duty

Part Number	Size	SD bore (Hub OD)	Hub OD Tolerance	Shaft Diameter Range		Locking Screws		$M_a$	$M_t$		A (mm)	D (mm)	L (mm)	H (mm)	e (mm)	Ship wt (kg)
		d (mm)	T <sub>L</sub> D (mm)	ds-MIN (mm)	ds-MAX (mm)	Qty	Size	Install Torque (Nm)	Max. Transmitted Torque							
								ds-MIN (Nm)	ds-MAX (Nm)							
H14042	140-42	140	+0/-0.063	95	105	8	M16 x 50	295	26000	34600	174	230	64	74	10	14
H15542	155-42	155	+0/-0.063	105	115	10	M16 x 50	295	37200	47800	194	263	70	80	10	20
H16542	165-42	165	+0/-0.063	115	125	12	M16 x 50	295	52700	64400	204	290	78	88	10	29
H17542	175-42	175	+0/-0.063	125	135	14	M16 x 50	295	70300	85900	214	300	77	88	11	29
H18542	185-42	185	+0/-0.072	135	145	12	M20 x 70	570	108000	129000	232	320	100	112	12	44
H20042	200-42	200	+0/-0.072	150	160	12	M20 x 70	570	125000	147000	246	340	100	112	12	49
H22042	220-42	220	+0/-0.072	160	170	15	M20 x 80	570	160000	186000	266	370	121	134	13	69
H24042	240-42	240	+0/-0.072	170	190	18	M20 x 70	570	198000	256000	298	405	130	144	14	89
H26042	260-42	260	+0/-0.081	190	210	18	M20 x 70	570	289000	368000	306	430	144	160	16	109
H28042	280-42	280	+0/-0.081	210	230	16	M24 x 90	980	384000	477000	334	460	156	172	16	134
H30042	300-42	300	+0/-0.081	230	250	16	M24 x 90	980	433000	528000	354	485	158	176	18	149
H32042	320-42	320	+0/-0.089	240	260	16	M24 x 90	980	515000	617000	374	520	166	184	18	179
H34042	340-42	340	+0/-0.089	250	270	20	M27 x 100	1450	665000	789000	414	570	186	206	20	256
H36042	360-42	360	+0/-0.089	280	300	16	M27 x 100	1450	836000	983000	424	590	188	210	22	265
H39042	390-42	390	+0/-0.089	300	320	20	M27 x 100	1450	1083000	1250000	456	650	196	220	24	343
H42042	420-42	420	+0/-0.097	330	350	24	M27 x 100	1450	1286000	1476000	498	680	221	246	25	407
H44042	440-42	440	+0/-0.097	340	360	22	M30 x 110	1970	1459000	1666000	514	740	233	258	25	531
H46042	460-42	460	+0/-0.097	360	380	22	M30 x 110	1970	1571000	1781000	534	760	233	258	25	548
H48042	480-42	480	+0/-0.097	380	400	26	M30 x 110	1970	1990000	2241000	570	800	270	298	28	711
H50042	500-42	500	+0/-0.097	400	420	28	M30 x 110	1970	2296000	2556000	590	840	270	300	30	818

Please note not all catalog items shown are stock. Some products are make-to-order (MTO) based on annual demand. Please verify with your customer service representative for current availability of the item desired.

# B-LOC Single Taper Shrink Discs

B-LOC  
Shrink Disc  
**SD50**  
Inch



Metric hex head locking screws  
ISO 4017 grade 10.9  
(See  $M_A$  for install torque.)

Shaft Sizes (inch)		Maximum Diametrical Clearance Between Shaft and Hub Bore
>	≤	
0.236	0.394	0.011
0.433	0.709	0.014
0.748	1.181	0.017
1.220	1.969	0.032
2.008	3.150	0.048
3.189	4.724	0.069
4.764	7.087	0.079
7.126	9.843	0.090
9.882	12.402	0.101
12.441	15.748	0.111
15.787	19.685	0.123

## SD50 — Single Taper — Standard Duty

Part Number	Size	SD bore (Hub OD)	Hub OD Tolerance	Shaft Diameter Range		Locking Screws		$M_A$	$M_T$		A (inch)	D (inch)	L (inch)	H (inch)	e (inch)	Ship wt (lb)
		d (inch)	T <sub>L</sub> d (inch)	ds-MIN (inch)	ds-MAX (inch)	Qty	Size	Install Torque (ft lb)	Max. Transmitted Torque							
									ds-MIN (ft lb)	ds-MAX (ft lb)						
H01250	12-50	0.472	+0/-0.0011	0.354	0.394	3	M5 x 10	4	15	29	0.886	1.378	0.394	0.433	0.039	0.2
H01450	14-50	0.551	+0/-0.0011	0.433	0.472	3	M5 x 10	4	21	38	0.965	1.496	0.394	0.433	0.039	0.2
H01650	16-50	0.630	+0/-0.0011	0.512	0.551	3	M6 x 12	9	71	97	1.102	1.614	0.531	0.591	0.059	0.3
H01850	18-50	0.709	+0/-0.0011	0.591	0.630	3	M6 x 12	9	89	117	1.181	1.732	0.531	0.591	0.059	0.3
H02050	20-50	0.787	+0/-0.0013	0.669	0.709	3	M6 x 12	9	108	137	1.260	1.850	0.531	0.591	0.059	0.3
H02450	24-50	0.945	+0/-0.0013	0.748	0.827	4	M6 x 16	9	127	197	1.417	1.969	0.630	0.709	0.079	0.4
H03050	30-50	1.181	+0/-0.0013	0.945	1.024	5	M6 x 16	9	219	304	1.732	2.362	0.709	0.787	0.079	0.7
H03650	36-50	1.417	+0/-0.0015	1.102	1.220	4	M8 x 16	22	415	532	2.047	2.835	0.787	0.866	0.079	1.1
H04450	44-50	1.732	+0/-0.0015	1.339	1.732	5	M8 x 20	22	541	688	2.402	3.150	0.866	0.945	0.079	1.4
H05050	50-50	1.969	+0/-0.0015	1.496	1.654	7	M8 x 20	22	907	1298	2.677	3.543	0.906	1.024	0.118	1.8
H05550	55-50	2.165	+0/-0.0018	1.654	1.890	8	M8 x 20	22	1209	1888	2.835	3.937	1.024	1.142	0.118	2.6
H06250	62-50	2.441	+0/-0.0018	1.890	2.047	8	M8 x 20	22	1431	1726	3.150	4.331	1.024	1.142	0.118	3.1
H06850	68-50	2.677	+0/-0.0018	1.969	2.362	9	M8 x 20	22	1335	2647	3.386	4.528	1.024	1.142	0.118	3.1
H07550	75-50	2.953	+0/-0.0018	2.165	2.559	5	M10 x 25	44	2043	3621	3.937	5.433	1.063	1.220	0.157	5.1
H08050	80-50	3.150	+0/-0.0018	2.362	2.756	5	M10 x 25	44	2360	3982	4.016	5.709	1.063	1.220	0.157	5.5
H09050	90-50	3.543	+0/-0.0021	2.559	2.953	7	M10 x 25	44	3488	5531	4.488	6.102	1.339	1.496	0.157	7.5
H10050	100-50	3.937	+0/-0.0021	2.756	3.150	9	M10 x 25	44	4749	7168	4.882	6.693	1.535	1.693	0.157	10.4
H11050	110-50	4.331	+0/-0.0021	2.953	3.346	8	M12 x 30	74	6497	8628	5.354	7.283	1.732	1.929	0.197	13.7
H11550	115-50	4.528	+0/-0.0021	3.150	3.543	9	M12 x 30	74	8260	10841	5.787	7.756	1.831	2.087	0.256	16.8
H12050	120-50	4.724	+0/-0.0021	3.346	3.740	9	M12 x 30	74	8112	11726	5.787	7.756	1.831	2.087	0.256	16.1
H12550	125-50	4.921	+0/-0.0025	3.346	3.740	10	M12 x 30	74	8555	12242	6.299	8.465	1.890	2.087	0.197	20
H13050	130-50	5.118	+0/-0.0025	3.346	3.740	10	M12 x 30	74	7817	11283	6.299	8.465	1.890	2.087	0.197	19
H13550	135-50	5.315	+0/-0.0025	3.543	3.937	8	M14 x 40	118	9587	13422	6.496	9.055	2.047	2.283	0.236	24
H14050	140-50	5.512	+0/-0.0025	3.740	4.134	8	M14 x 40	118	10546	14454	6.772	9.055	2.047	2.283	0.236	24
H15550	155-50	6.102	+0/-0.0025	4.134	4.528	10	M14 x 40	118	15413	20206	7.480	10.354	2.205	2.441	0.236	35
H16550	165-50	6.496	+0/-0.0025	4.528	4.921	9	M16 x 50	184	23378	28835	8.031	11.417	2.402	2.677	0.276	49
H17550	175-50	6.890	+0/-0.0025	4.921	5.315	10	M16 x 50	184	29499	36652	8.465	11.811	2.362	2.677	0.315	51
H18050	180-50	7.087	+0/-0.0028	5.315	5.709	12	M16 x 50	184	41298	50516	8.858	12.598	3.031	3.346	0.315	75
H18550	185-50	7.283	+0/-0.0028	5.315	5.709	12	M16 x 50	184	39159	48083	8.858	12.598	3.031	3.346	0.315	73
H20050	200-50	7.874	+0/-0.0028	5.906	6.299	14	M16 x 50	184	55383	65855	9.449	13.386	3.031	3.346	0.315	82
H22050	220-50	8.661	+0/-0.0028	6.299	6.693	12	M20 x 55	361	75959	89233	10.630	14.567	3.701	4.055	0.354	117
H24050	240-50	9.449	+0/-0.0028	6.693	7.480	14	M20 x 55	361	92183	120944	11.654	15.945	3.819	4.213	0.394	146
H26050	260-50	10.236	+0/-0.0032	7.480	8.268	16	M20 x 55	361	121681	158555	12.520	16.929	4.291	4.685	0.394	179
H28050	280-50	11.024	+0/-0.0032	8.268	9.055	18	M20 x 55	361	158555	201327	13.386	18.110	4.803	5.197	0.394	229
H30050	300-50	11.811	+0/-0.0032	9.055	9.843	15	M24 x 65	619	22050	272124	14.173	19.094	5.118	5.512	0.394	265
H32050	320-50	12.598	+0/-0.0035	9.449	10.236	15	M24 x 65	619	221976	269174	14.961	20.472	5.118	5.512	0.394	306
H34050	340-50	13.386	+0/-0.0035	9.843	10.630	18	M24 x 70	619	302360	360619	15.827	22.441	5.630	6.102	0.472	421
H35050	350-50	13.780	+0/-0.0035	10.236	11.024	20	M24 x 65	619	318584	383481	16.299	22.835	5.787	6.260	0.472	441
H36050	360-50	14.173	+0/-0.0035	11.024	11.811	21	M24 x 65	619	388643	460914	16.693	23.228	5.787	6.260	0.472	452
H39050	390-50	15.354	+0/-0.0035	11.811	12.598	16	M27 x 90	922	483038	558260	17.874	25.591	5.748	6.535	0.787	556
H42050	420-50	16.535	+0/-0.0038	12.992	13.780	18	M27 x 90	922	596608	689528	19.134	26.378	6.535	7.323	0.787	635
H44050	440-50	17.323	+0/-0.0038	13.386	14.173	20	M27 x 90	922	670354	771386	19.921	29.134	6.850	7.638	0.787	864
H46050	460-50	18.110	+0/-0.0038	14.173	14.961	21	M27 x 90	922	763274	869469	20.709	30.315	6.850	7.638	0.787	933
H48050	480-50	18.898	+0/-0.0038	14.961	15.748	20	M30 x 100	1254	960177	1085546	21.732	31.496	7.520	8.386	0.866	1098
H50050	500-50	19.685	+0/-0.0038	15.748	16.535	20	M30 x 100	1254	1025811	1145280	22.520	33.465	7.520	8.386	0.866	1268

Please note not all catalog items shown are stock. Some products are make-to-order (MTO) based on annual demand. Please verify with your customer service representative for current availability of the item desired.

B-LOC  
Shrink Disc  
**SD50**  
Metric



Metric hex head locking screws  
ISO 4017 grade 10.9  
(See  $M_a$  for install torque.)

Shaft Sizes (mm)		Maximum Diametrical Clearance Between Shaft and Hub Bore
>	≤	
6	10	0.011
11	18	0.014
19	30	0.017
31	50	0.032
51	80	0.048
81	120	0.069
121	180	0.079
181	250	0.090
251	315	0.101
316	400	0.111
401	500	0.123

## SD50 — Single Taper — Standard Duty

Part Number	Size	SD bore (Hub OD)	Hub OD Tolerance	Shaft Diameter Range		Locking Screws		$M_a$	$M_t$		A (mm)	D (mm)	L (mm)	H (mm)	e (mm)	Ship wt (kb)
		d (mm)	T <sub>Ld</sub> (mm)	ds-MIN (mm)	ds-MAX (mm)	Qty	Size	Install Torque (Nm)	Max. Transmitted Torque							
									ds-MIN (Nm)	ds-MAX (Nm)						
H01250	12-50	12	+0/-0.027	9	10	3	M5 x 10	5	21	40	23	35	10	11	1	0.07
H01450	14-50	14	+0/-0.027	11	12	3	M5 x 10	5	29	51	25	38	10	11	1	0.08
H01650	16-50	16	+0/-0.027	13	14	3	M6 x 12	12	96	132	28	41	14	15	2	0.13
H01850	18-50	18	+0/-0.027	15	16	3	M6 x 12	12	121	159	30	44	14	15	2	0.14
H02050	20-50	20	+0/-0.033	17	18	3	M6 x 12	12	146	186	32	47	14	15	2	0.15
H02450	24-50	24	+0/-0.033	19	21	4	M6 x 16	12	172	267	36	50	16	18	2	0.20
H03050	30-50	30	+0/-0.033	24	26	5	M6 x 16	12	297	412	44	60	18	20	2	0.31
H03650	36-50	36	+0/-0.039	28	31	4	M8 x 16	30	563	722	52	72	20	22	2	0.49
H04450	44-50	44	+0/-0.039	34	44	5	M8 x 20	30	734	933	61	80	22	24	2	0.62
H05050	50-50	50	+0/-0.039	38	42	7	M8 x 20	30	1230	1760	68	90	23	26	3	0.83
H05550	55-50	55	+0/-0.046	42	48	8	M8 x 20	30	1640	2560	72	100	26	29	3	1.2
H06250	62-50	62	+0/-0.046	48	52	8	M8 x 20	30	1940	2340	80	110	26	29	3	1.4
H06850	68-50	68	+0/-0.046	50	60	9	M8 x 20	30	1810	3590	86	115	26	29	3	1.4
H07550	75-50	75	+0/-0.046	55	65	5	M10 x 25	59	2770	4910	100	138	27	31	4	2.3
H08050	80-50	80	+0/-0.046	60	70	5	M10 x 25	59	3200	5400	102	145	27	31	4	2.5
H09050	90-50	90	+0/-0.054	65	75	7	M10 x 25	59	4730	7500	114	155	34	38	4	3.4
H10050	100-50	100	+0/-0.054	70	80	9	M10 x 25	59	6440	9720	124	170	39	43	4	4.7
H11050	110-50	110	+0/-0.054	75	85	8	M12 x 30	100	8810	11700	136	185	44	49	5	6.2
H11550	115-50	115	+0/-0.054	80	90	9	M12 x 30	100	11200	14700	147	197	46.5	53	6.5	7.6
H12050	120-50	120	+0/-0.054	85	95	9	M12 x 30	100	11000	15900	147	197	46.5	53	6.5	7.3
H12550	125-50	125	+0/-0.063	85	95	10	M12 x 30	100	11600	16600	160	215	48	53	5	9.2
H13050	130-50	130	+0/-0.063	85	95	10	M12 x 30	100	10600	15300	160	215	48	53	5	8.8
H13550	135-50	135	+0/-0.063	90	100	8	M14 x 40	160	13000	18200	165	230	52	58	6	11
H14050	140-50	140	+0/-0.063	95	105	8	M14 x 40	160	14300	19600	172	230	52	58	6	11
H15550	155-50	155	+0/-0.063	105	115	10	M14 x 40	160	20900	27400	190	263	56	62	6	16
H16550	165-50	165	+0/-0.063	115	125	9	M16 x 50	250	31700	39100	204	290	61	68	7	22
H17550	175-50	175	+0/-0.063	125	135	10	M16 x 50	250	40000	49700	215	300	60	68	8	23
H18050	180-50	180	+0/-0.072	135	145	12	M16 x 50	250	56000	68500	225	320	77	85	8	34
H18550	185-50	185	+0/-0.072	135	145	12	M16 x 50	250	53100	65200	225	320	77	85	8	33
H20050	200-50	200	+0/-0.072	150	160	14	M16 x 50	250	75100	89300	240	340	77	85	8	37
H22050	220-50	220	+0/-0.072	160	170	12	M20 x 55	490	103000	121000	270	370	94	103	9	53
H24050	240-50	240	+0/-0.072	170	190	14	M20 x 55	490	125000	164000	296	405	97	107	10	66
H26050	260-50	260	+0/-0.081	190	210	16	M20 x 55	490	165000	215000	318	430	109	119	10	81
H28050	280-50	280	+0/-0.081	210	230	18	M20 x 55	490	215000	273000	340	460	122	132	10	104
H30050	300-50	300	+0/-0.081	230	250	15	M24 x 65	840	29900	369000	360	485	130	140	10	120
H32050	320-50	320	+0/-0.089	240	260	15	M24 x 65	840	301000	365000	380	520	130	140	10	139
H34050	340-50	340	+0/-0.089	250	270	18	M24 x 70	840	410000	489000	402	570	143	155	12	191
H35050	350-50	350	+0/-0.089	260	280	20	M24 x 65	840	432000	520000	414	580	147	159	12	200
H36050	360-50	360	+0/-0.089	280	300	21	M24 x 65	840	527000	625000	424	590	147	159	12	205
H39050	390-50	390	+0/-0.089	300	320	16	M27 x 90	1250	655000	757000	454	650	146	166	20	252
H42050	420-50	420	+0/-0.097	330	350	18	M27 x 90	1250	809000	935000	486	670	166	186	20	288
H44050	440-50	440	+0/-0.097	340	360	20	M27 x 90	1250	909000	1046000	506	740	174	194	20	392
H46050	460-50	460	+0/-0.097	360	380	21	M27 x 90	1250	1035000	1179000	526	770	174	194	20	423
H48050	480-50	480	+0/-0.097	380	400	20	M30 x 100	1700	1302000	1472000	552	800	191	213	22	498
H50050	500-50	500	+0/-0.097	400	420	20	M30 x 100	1700	1391000	1553000	572	850	191	213	22	575

Please note not all catalog items shown are stock. Some products are make-to-order (MTO) based on annual demand. Please verify with your customer service representative for current availability of the item desired.

# B-LOC Single Taper Shrink Discs

B-LOC  
Shrink Disc  
**SD51**  
Inch



Metric hex head locking screws  
ISO 4017 grade 10.9  
(See  $M_a$  for install torque.)

Shaft Sizes (inch)		Maximum Diametrical Clearance Between Shaft and Hub Bore
>	≤	
4.764	7.087	0.0031
7.126	9.843	0.0035
9.882	12.402	0.0040
12.441	15.748	0.0044
15.787	19.685	0.0048

## SD51 — Single Taper — Light Duty

Part Number	Size	SD bore (Hub OD)	Hub OD Tolerance	Shaft Diameter Range		Locking Screws		$M_a$	$M_t$		A (inch)	D (inch)	L (inch)	H (inch)	e (inch)	Ship wt (lb)
		d (inch)	T <sub>L</sub> d (inch)	ds-MIN (inch)	ds-MAX (inch)	Qty	Size	Install Torque (ft lb)	Max. Transmitted Torque							
									ds-MIN (ft lb)	ds-MAX (ft lb)						
H14051	140-51	5.512	+0/-0.0025	4.331	4.921	8	M12 x 40	74	11726	17257	6.457	8.465	1.496	1.811	0.315	15.4
H15551	155-51	6.102	+0/-0.0025	5.118	5.512	9	M12 x 40	74	17994	22640	7.244	9.646	1.496	1.811	0.315	19.8
H16551	165-51	6.496	+0/-0.0025	5.315	5.709	8	M14 x 40	118	21755	26991	7.874	10.354	1.693	2.087	0.394	26
H17551	175-51	6.890	+0/-0.0025	5.709	6.102	9	M14 x 40	118	27581	33407	8.189	10.827	1.693	2.087	0.394	29
H18551	185-51	7.283	+0/-0.0028	6.102	6.496	12	M14 x 40	118	40855	48525	8.661	11.417	2.008	2.441	0.433	37
H19551	195-51	7.677	+0/-0.0028	6.496	6.890	14	M14 x 40	118	52581	61431	9.055	12.598	2.008	2.441	0.433	49
H22051	220-51	8.661	+0/-0.0028	7.087	7.874	12	M16 x 60	184	66740	86283	10.000	13.386	2.165	2.756	0.591	55
H24051	240-51	9.449	+0/-0.0028	7.874	8.465	12	M16 x 60	184	75221	90708	10.787	14.567	2.165	2.756	0.591	64
H26051	260-51	10.236	+0/-0.0032	8.661	9.252	14	M16 x 60	184	100295	118732	11.575	15.945	2.165	2.756	0.591	77
H28051	280-51	11.024	+0/-0.0032	9.055	9.843	10	M20 x 70	361	111357	137906	12.598	16.929	2.559	3.150	0.591	101
H30051	300-51	11.811	+0/-0.0032	9.843	10.630	12	M20 x 70	361	151180	182153	13.386	18.110	2.559	3.150	0.591	117
H32051	320-51	12.598	+0/-0.0035	10.630	11.417	14	M20 x 70	361	192478	230826	14.331	19.094	3.031	3.622	0.591	150
H34051	340-51	13.386	+0/-0.0035	11.417	12.205	15	M20 x 70	361	226401	267699	15.118	20.472	3.031	3.622	0.591	176
H36051	360-51	14.173	+0/-0.0035	12.205	12.992	18	M20 x 70	361	295723	344395	16.220	22.441	3.504	4.134	0.630	256
H39051	390-51	15.354	+0/-0.0035	12.992	13.780	18	M20 x 70	361	304572	353245	17.323	23.228	3.504	4.134	0.630	256
H42051	420-51	16.535	+0/-0.0038	13.780	14.567	16	M24 x 90	619	457965	525811	18.504	24.803	4.724	5.512	0.787	390
H44051	440-51	17.323	+0/-0.0038	14.567	15.354	18	M24 x 90	619	553097	629794	19.685	25.984	5.197	5.984	0.787	470
H46051	460-51	18.110	+0/-0.0038	15.354	16.142	18	M24 x 90	619	589971	664454	20.472	27.165	5.197	5.984	0.787	514
H48051	480-51	18.898	+0/-0.0038	16.142	16.929	22	M24 x 90	619	764749	860619	21.260	28.346	5.984	6.850	0.866	644
H50051	500-51	19.685	+0/-0.0038	16.535	17.717	24	M24 x 90	619	839233	994100	22.047	29.331	5.984	6.850	0.866	683

Please note not all catalog items shown are stock. Some products are make-to-order (MTO) based on annual demand. Please verify with your customer service representative for current availability of the item desired.



Metric hex head locking screws  
ISO 4017 grade 10.9  
(See  $M_a$  for install torque.)

Shaft Sizes (mm)		Maximum Diametrical Clearance Between Shaft and Hub Bore
>	≤	
121	180	0.079
181	250	0.090
251	315	0.101
316	400	0.111
401	500	0.123

B-LOC  
Shrink Disc  
**SD51**  
Metric

## SD51 — Single Taper — Light Duty

Part Number	Size	SD bore (Hub OD)	Hub OD Tolerance	Shaft Diameter Range		Locking Screws		$M_a$	$M_t$		A (mm)	D (mm)	L (mm)	H (mm)	e (mm)	Ship wt (kg)
		d (mm)		T <sub>Ld</sub> (mm)	ds-MIN (mm)	ds-MAX (mm)	Qty	Size	Install Torque (Nm)	Max. Transmitted Torque						
									ds-MIN (Nm)	ds-MAX (Nm)						
H14051	140-51	140	+0/-0.063	110	125	8	M12 x 40	100	15900	23400	164	215	38	46	8	7
H15551	155-51	155	+0/-0.063	130	140	9	M12 x 40	100	24400	30700	184	245	38	46	8	9
H16551	165-51	165	+0/-0.063	135	145	8	M14 x 40	160	29500	36600	200	263	43	53	10	12
H17551	175-51	175	+0/-0.063	145	155	9	M14 x 40	160	37400	45300	208	275	43	53	10	13
H18551	185-51	185	+0/-0.072	155	165	12	M14 x 40	160	55400	65800	220	290	51	62	11	17
H19551	195-51	195	+0/-0.072	165	175	14	M14 x 40	160	71300	83300	230	320	51	62	11	22
H22051	220-51	220	+0/-0.072	180	200	12	M16 x 60	250	90500	117000	254	340	55	70	15	25
H24051	240-51	240	+0/-0.072	200	215	12	M16 x 60	250	102000	123000	274	370	55	70	15	29
H26051	260-51	260	+0/-0.081	220	235	14	M16 x 60	250	136000	161000	294	405	55	70	15	35
H28051	280-51	280	+0/-0.081	230	250	10	M20 x 70	490	151000	187000	320	430	65	80	15	46
H30051	300-51	300	+0/-0.081	250	270	12	M20 x 70	490	205000	247000	340	460	65	80	15	53
H32051	320-51	320	+0/-0.089	270	290	14	M20 x 70	490	261000	313000	364	485	77	92	15	68
H34051	340-51	340	+0/-0.089	290	310	15	M20 x 70	490	307000	363000	384	520	77	92	15	80
H36051	360-51	360	+0/-0.089	310	330	18	M20 x 70	490	401000	467000	412	570	89	105	16	116
H39051	390-51	390	+0/-0.089	330	350	18	M20 x 70	490	413000	479000	440	590	89	105	16	116
H42051	420-51	420	+0/-0.097	350	370	16	M24 x 90	840	621000	713000	470	630	120	140	20	177
H44051	440-51	440	+0/-0.097	370	390	18	M24 x 90	840	750000	854000	500	660	132	152	20	213
H46051	460-51	460	+0/-0.097	390	410	18	M24 x 90	840	800000	901000	520	690	132	152	20	233
H48051	480-51	480	+0/-0.097	410	430	22	M24 x 90	840	1037000	1167000	540	720	152	174	22	292
H50051	500-51	500	+0/-0.097	420	450	24	M24 x 90	840	1138000	1348000	560	745	152	174	22	310

Please note not all catalog items shown are stock. Some products are make-to-order (MTO) based on annual demand. Please verify with your customer service representative for current availability of the item desired.

# B-LOC Single Taper Shrink Discs

B-LOC  
Shrink Disc  
**SD<sup>52</sup>**  
Inch



Metric hex head locking screws  
ISO 4017 grade 10.9  
(See  $M_A$  for install torque.)

Shaft Sizes (inch)		Maximum Diametrical Clearance Between Shaft and Hub Bore
>	≤	
4.764	7.087	0.0031
7.126	9.843	0.0035
9.882	12.402	0.0040
12.441	15.748	0.0044
15.787	19.685	0.0048

## SD52 — Single Taper — Heavy Duty

Part Number	Size	SD bore (Hub OD)	Hub OD Tolerance	Shaft Diameter Range		Locking Screws		$M_A$	$M_T$		A (inch)	D (inch)	L (inch)	H (inch)	e (inch)	Ship wt (lb)
		d (inch)	T <sub>L</sub> d (inch)	ds-MIN (inch)	ds-MAX (inch)	Qty	Size	Install Torque (ft lb)	Max. Transmitted Torque							
								ds-MIN (ft lb)	ds-MAX (ft lb)							
H14052	140-52	5.512	+0/-0.0025	3.740	4.134	8	M16 x 50	184	15192	20649	6.850	9.055	2.520	2.913	0.394	31
H15552	155-52	6.102	+0/-0.0025	4.134	4.528	10	M16 x 50	184	21976	28687	7.638	10.354	2.756	3.150	0.394	44
H16552	165-52	6.496	+0/-0.0025	4.528	4.921	12	M16 x 50	184	31490	38717	8.031	11.417	3.071	3.465	0.394	64
H17552	175-52	6.890	+0/-0.0025	4.921	5.315	14	M16 x 50	184	42183	52065	8.425	11.811	3.031	3.465	0.433	64
H18552	185-52	7.283	+0/-0.0028	5.315	5.709	12	M20 x 70	361	66888	80383	9.134	12.598	3.937	4.409	0.472	97
H20052	200-52	7.874	+0/-0.0028	5.906	6.299	12	M20 x 70	361	77434	91445	9.685	13.386	3.937	4.409	0.472	108
H22052	220-52	8.661	+0/-0.0028	6.299	6.693	15	M20 x 70	361	98820	115044	10.472	14.567	4.764	5.276	0.512	152
H24052	240-52	9.449	+0/-0.0028	6.693	7.480	18	M20 x 70	361	121681	158555	11.732	15.945	5.118	5.669	0.551	196
H26052	260-52	10.236	+0/-0.0032	7.480	8.268	18	M20 x 70	361	178466	229351	12.047	16.929	5.669	6.299	0.630	240
H28052	280-52	11.024	+0/-0.0032	8.268	9.055	16	M24 x 90	619	238938	297935	13.150	18.110	6.142	6.772	0.630	295
H30052	300-52	11.811	+0/-0.0032	9.055	9.843	16	M24 x 90	619	269174	330383	13.937	19.094	6.220	6.929	0.709	328
H32052	320-52	12.598	+0/-0.0035	9.449	10.236	16	M24 x 90	619	320796	385693	14.724	20.472	6.535	7.244	0.709	395
H34052	340-52	13.386	+0/-0.0035	9.843	10.630	20	M27 x 100	922	415929	495575	16.299	22.441	7.323	8.110	0.787	564
H36052	360-52	14.173	+0/-0.0035	11.024	11.811	16	M27 x 100	922	524336	618732	16.693	23.228	7.402	8.268	0.866	584
H39052	390-52	15.354	+0/-0.0035	11.811	12.598	20	M27 x 100	922	680678	786873	17.953	25.591	7.717	8.661	0.945	756
H42052	420-52	16.535	+0/-0.0038	12.992	13.780	24	M27 x 100	922	806785	929204	19.606	26.772	8.701	9.685	0.984	897
H44052	440-52	17.323	+0/-0.0038	13.386	14.173	22	M30 x 110	1254	915929	1049410	20.236	29.134	9.173	10.157	0.984	1171
H46052	460-52	18.110	+0/-0.0038	14.173	14.961	18	M30 x 110	1254	963127	1095870	21.024	29.921	9.173	10.157	0.984	1208
H48052	480-52	18.898	+0/-0.0038	14.961	15.748	26	M30 x 110	1254	1250737	1412979	22.441	31.496	10.630	11.732	1.102	1567
H50052	500-52	19.685	+0/-0.0038	15.748	16.535	28	M30 x 110	1254	1444690	1611357	23.228	33.071	10.630	11.811	1.181	1803

Please note not all catalog items shown are stock. Some products are make-to-order (MTO) based on annual demand. Please verify with your customer service representative for current availability of the item desired.



Metric hex head locking screws  
ISO 4017 grade 10.9  
(See  $M_a$  for install torque.)

Shaft Sizes (mm)		Maximum Diametrical Clearance Between Shaft and Hub Bore
>	≤	
121	180	0.079
181	250	0.090
251	315	0.101
316	400	0.111
401	500	0.123

B-LOC  
Shrink Disc  
**SD52**  
Metric

## SD52 — Single Taper — Heavy Duty

Part Number	Size	SD bore (Hub OD)	Hub OD Tolerance	Shaft Diameter Range		Locking Screws		$M_a$	$M_t$		A (mm)	D (mm)	L (mm)	H (mm)	e (mm)	Ship wt (kb)
		d (mm)	T <sub>Ld</sub> (mm)	ds-MIN (mm)	ds-MAX (mm)	Qty	Size	Install Torque (Nm)	Max. Transmitted Torque							
									ds-MIN (Nm)	ds-MAX (Nm)						
H14052	140-52	140	+0/-0.063	95	105	8	M16 x 50	250	20600	28000	174	230	64	74	10	14
H15552	155-52	155	+0/-0.063	105	115	10	M16 x 50	250	29800	38900	194	263	70	80	10	20
H16552	165-52	165	+0/-0.063	115	125	12	M16 x 50	250	42700	52500	204	290	78	88	10	29
H17552	175-52	175	+0/-0.063	125	135	14	M16 x 50	250	57200	70600	214	300	77	88	11	29
H18552	185-52	185	+0/-0.072	135	145	12	M20 x 70	490	90700	109000	232	320	100	112	12	44
H20052	200-52	200	+0/-0.072	150	160	12	M20 x 70	490	105000	124000	246	340	100	112	12	49
H22052	220-52	220	+0/-0.072	160	170	15	M20 x 70	490	134000	156000	266	370	121	134	13	69
H24052	240-52	240	+0/-0.072	170	190	18	M20 x 70	490	165000	215000	298	405	130	144	14	89
H26052	260-52	260	+0/-0.081	190	210	18	M20 x 70	490	242000	311000	306	430	144	160	16	109
H28052	280-52	280	+0/-0.081	210	230	16	M24 x 90	840	324000	404000	334	460	156	172	16	134
H30052	300-52	300	+0/-0.081	230	250	16	M24 x 90	840	365000	448000	354	485	158	176	18	149
H32052	320-52	320	+0/-0.089	240	260	16	M24 x 90	840	435000	523000	374	520	166	184	18	179
H34052	340-52	340	+0/-0.089	250	270	20	M27 x 100	1250	564000	672000	414	570	186	206	20	256
H36052	360-52	360	+0/-0.089	280	300	16	M27 x 100	1250	711000	839000	424	590	188	210	22	265
H39052	390-52	390	+0/-0.089	300	320	20	M27 x 100	1250	923000	1067000	456	650	196	220	24	343
H42052	420-52	420	+0/-0.097	330	350	24	M27 x 100	1250	1094000	1260000	498	680	221	246	25	407
H44052	440-52	440	+0/-0.097	340	360	22	M30 x 110	1700	1242000	1423000	514	740	233	258	25	531
H46052	460-52	460	+0/-0.097	360	380	18	M30 x 110	1700	1306000	1486000	534	760	233	258	25	548
H48052	480-52	480	+0/-0.097	380	400	26	M30 x 110	1700	1696000	1916000	570	800	270	298	28	711
H50052	500-52	500	+0/-0.097	400	420	28	M30 x 110	1700	1959000	2185000	590	840	270	300	30	818

Please note not all catalog items shown are stock. Some products are make-to-order (MTO) based on annual demand. Please verify with your customer service representative for current availability of the item desired.

# B-LOC WK Rigid Couplings Engineering Data

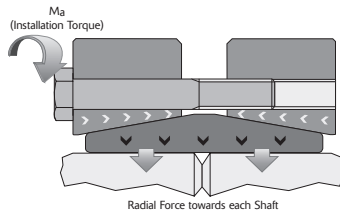
## DESIGN FEATURES

External keyless locking devices that simultaneously transmit high torques and bending moments that allow your drive to be overhung shaft mounted.

- Keyless, rigid, zero backlash coupling.
- Transmits high torque and bending moments.
- Eliminates the need for costly mounting brackets and structural support.
- Compact, double taper design with self-releasing tapers for easy removal.
- Exceptional concentricity.
- Installs right over existing keyways and splines.
- Not affected by shock or reversing loads.

## WORKING PRINCIPLE

Drawing the two tapered collars together with the integrated tightening screws, generates radial forces that squeeze the inner ring tightly to the two shafts. The inner ring acts as a press fit sleeve, transmitting torque, thrust, and even bending loads from one shaft to the other.



## TORQUE

$M_t$  = rated torque capacity of one B-LOC WK Coupling with all screws tightened to specified torque  $M_a$  as listed in specifications.

## THRUST

$T_h$  = transmissible thrust, determined by using the following equation:

$$T_h = \frac{2 \times M_t}{d} \quad \text{where: } d = \text{shaft diameter} \\ M_t = \text{rated torque capacity}$$

## TORQUE AND THRUST COMBINED

Simultaneous transmission of torque and thrust requires calculating a resultant torque:

$$M_{t_{res}} = \sqrt{T^2 + \left(\frac{F \times d}{2}\right)^2} \quad \text{where: } T = \text{peak drive torque} \\ F = \text{peak thrust load} \\ d = \text{shaft diameter}$$

Select a unit where  $M_t \geq M_{t_{res}}$

## BENDING MOMENTS

WK Couplings will generally transmit a continuous bending moment equal to 25% of rated torque capacity  $M_t$ .

## RELEASABILITY

Since the tapers of a B-LOC WK Coupling are self-releasing, loosening the locking screws results in releasing the shafts from the coupling. Care needs to be used by loosening each screw gradually such that the screw tension remains relatively equal on all screws.

## MATERIAL

WK Coupling inner rings are manufactured from high-carbon steel. Outer rings are made from forged and heat treated alloy steel.

## LUBRICANTS

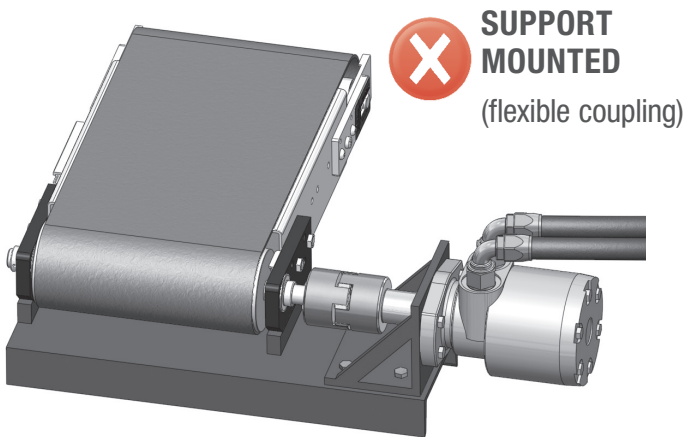
WK Couplings are supplied with molybdenum disulphide based lubricant applied to the tapers and to the locking screw threads and head contact areas. The bore of WK Couplings are supplied lightly oiled and should only be used with oil supplied on the unit.

## SHAFT AND HUB MATERIAL

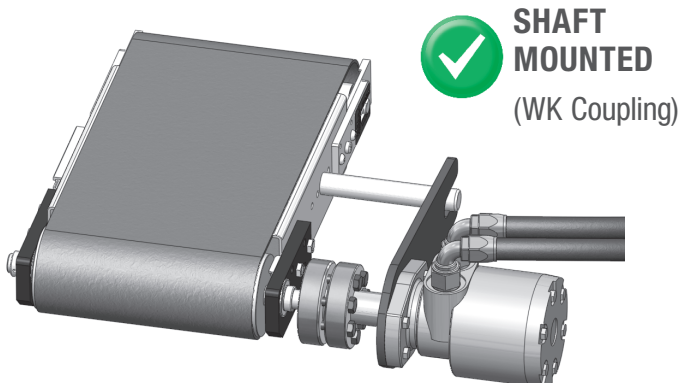
Listed specifications assume shaft material with a yield point of at least 45 ksi (310 N/mm<sup>2</sup>).

## LENGTH OF FIT

Shaft engagement inside the WK Coupling must be equal for both shafts and the gap between the shafts should not exceed 5% of the shaft diameter.

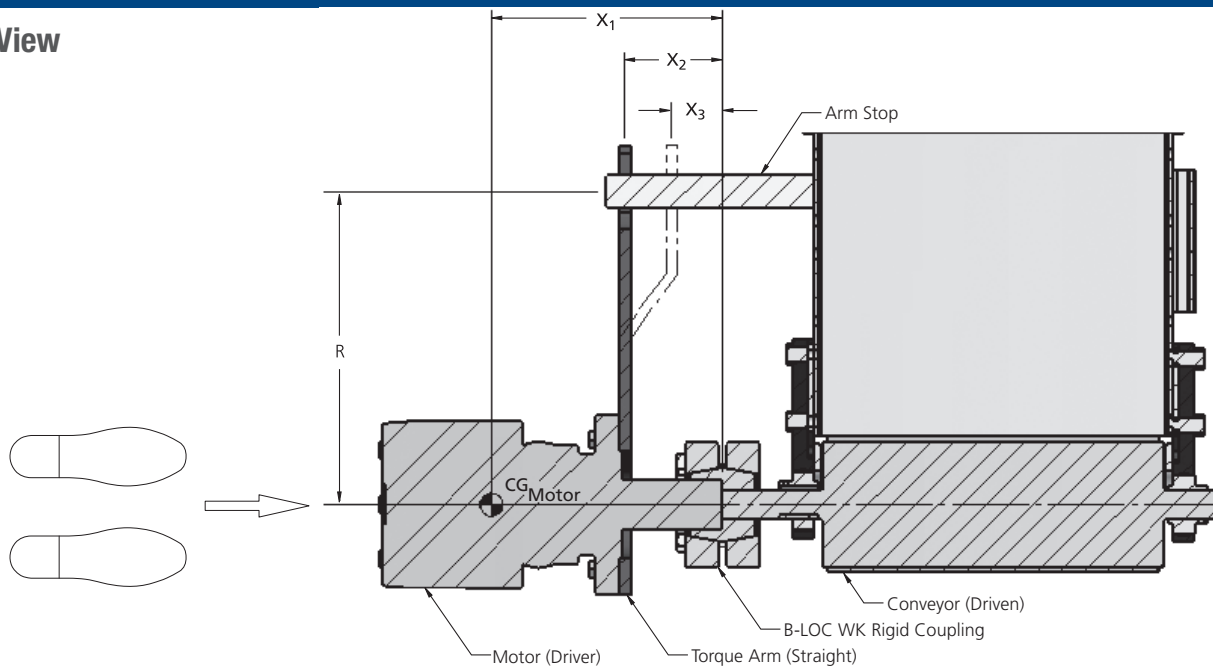


- ⊗ Requires bulky frame work and supports
- ⊗ Shaft misalignment issues necessitate the use of flexible couplings
- ⊗ Fretted and corroded flexible couplings complicate disassembly
- ⊗ Higher total cost



- ✔ Shaft mount completely eliminates shaft misalignment and frame work
- ✔ Simple torque arm prevents motor rotation
- ✔ Keyless mechanical shrink fit never corrodes to the shaft and disassembles easily
- ✔ Compact design allows for smaller drive footprint
- ✔ Lower overall cost

## Plan View



## Calculations

Once you have selected your WK Rigid Coupling, apply the following calculations to verify that it is suitable for your application. Please reference Plan View above.

- $M_t$  = published max rated torque capacity of B-LOC WK Rigid Coupling = \_\_\_\_\_ ft-lb
- $M_{D_{MAX}}$  = maximum drive torque (stall torque where applicable) = \_\_\_\_\_ ft-lb
- $W$  = weight of the overhung shaft mounted drive = \_\_\_\_\_ lb
- $R$  = length of the torque arm = \_\_\_\_\_ ft
- $F_{TA}$  = torque arm reaction force =  $M_{D_{MAX}} \div R$  = \_\_\_\_\_ lb

- $M_B$  = bending moment at the coupling

NOTE:  $M_B$  must be  $< 0.25 \times M_t$

**TORQUE ARM OPTIONS****Straight Torque Arm**

$$M_B = (W \times X_1) + (F_{TA} \times X_2) = \text{_____ ft-lb}$$

**Bent Torque Arm**

$$M_B = (W \times X_1) + (F_{TA} \times X_3) = \text{_____ ft-lb}$$

**Double Torque Arm**

$$M_B = (W \times X_1) = \text{_____ ft-lb}$$

- $M_{RB}$  = resultant (torque & bending) =  $\sqrt{(M_{D_{MAX}})^2 + (2 \times M_B)^2} = \text{_____ ft-lb}$   
NOTE:  $M_{RB}$  must be  $< M_t$

- If the NOTES in steps 6 and 7 are **both** satisfied, the B-LOC WK Rigid Coupling is recommended for your application.

The calculations on this page assume worst case placement of torque arm.  
To optimize design contact a Fenner Industrial Motion Applications Engineer at [AE@fenner.com](mailto:AE@fenner.com).

## Design Tips

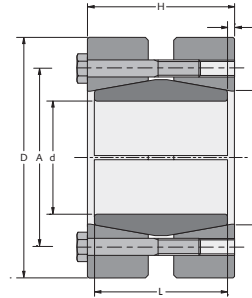
- For any WK Coupling design or engineering questions, contact a Fenner Industrial Motion Applications Engineer at [AE@fenner.com](mailto:AE@fenner.com).
- Shaft mounting creates bending moments in the system; coupling, shafts, bearings etc., must be designed to handle these bending moments.
- Torque arm design and placement can be used to counteract or minimize bending moments in the system.
- Torque arm and arm stop(s) must be adequately designed to handle the forces generated by the motor.
- To achieve up to a 20% increase in coupling load capacity, using a non-petroleum based solvent, clean the shafts and coupling bore to produce a completely lubricant free interface.
- WK Couplings can typically join shafts of different sizes up to a ratio of 2:1. For shaft ratios greater than this, please contact a Fenner Industrial Motion Applications Engineer.
- WK Couplings are not recommended for applications in which motor and driven component are rigidly mounted.

# B-LOC WK Rigid Couplings

B-LOC  
WK  
SERIES  
Inch



Metric hex head locking screws grade 10.9. (See  $M_a$  for install torque.)



TOLERANCE ( $T_L$ )

$T_L = .003"$  for shafts up to 1"  
.006" for shafts over 1"

d = Shaft diameter machined to  $d + 0/-T_L$

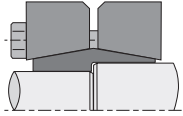
Shaft engagement equal for both ends with gap not exceeding 5% of shaft diameter.

## WK Series

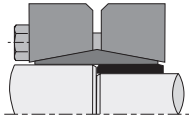
Part Number	Type	d (in)	D (in)	H (in)	L (in)	e (in)	d <sub>1</sub> (in)	A (in)	Locking Screws		M <sub>a</sub>	M <sub>t</sub>	Ship wt (lb)
									Qty	Size	Install Torque (ft lb)	Maximum Transmissible Torque (ft lb)	
HWK0152010	WK 15	5/8	2.047	1.339	1.181	0.079	0.827	1.378	3	M6 x 30	8.7	132	0.9
HWK0152011		11/16										145	
HWK0152012		3/4										158	
HWK0202013	WK 20	13/16	2.362	1.575	1.339	0.118	1.024	1.614	5	M6 x 35	8.7	286	1.4
HWK0202014		7/8										308	
HWK0202015		15/16										330	
HWK0252100	WK 25	1	2.598	1.732	1.496	0.118	1.260	1.890	7	M6 x 35	8.7	492	1.8
HWK0252101		1 1/16										523	
HWK0252102		1 1/8										554	
HWK0302103	WK 30	1 3/16	2.992	1.890	1.654	0.118	1.496	2.126	8	M6 x 40	8.7	668	2.7
HWK0302104		1 1/4										703	
HWK0302106		1 3/8										774	
HWK0402107	WK 40	1 7/16	3.780	2.205	1.969	0.118	1.850	2.638	7	M8 x 45	22	1371	5
HWK0402108		1 1/2										1430	
HWK0402110		1 5/8										1550	
HWK0402111		1 11/16										1609	
HWK0402112		1 3/4										1669	
HWK0502114	WK 50	1 7/8	4.409	2.676	2.362	0.157	2.283	3.150	10	M8 x 50	22	2554	8
HWK0502115		1 15/16										2639	
HWK0502200		2										2724	
HWK0502202		2 1/8										2895	
HWK0602203	WK 60	2 3/16	4.724	3.071	2.756	0.157	2.598	3.504	12	M8 x 55	22	3576	10
HWK0602204		2 1/4										3678	
HWK0602206		2 3/8										3882	
HWK0602207		2 7/16										3984	
HWK0602208		2 1/2										4087	
HWK0702209	WK 70	2 9/16	5.826	3.464	3.150	0.157	3.110	4.173	12	M10 x 65	44	6642	19
HWK0702210		2 5/8										6804	
HWK0702211		2 11/16										6966	
HWK0702212		2 3/4										7128	
HWK0702214		2 7/8										7452	
HWK0802215	WK 80	2 15/16	6.693	4.095	3.701	0.197	3.701	4.961	10	M12 x 80	74	9128	28
HWK0802300		3										9323	
HWK0802302		3 1/8										9711	
HWK0802304		3 1/4										10099	
HWK0802306		3 3/8										10488	
HWK0902307	WK 90	3 7/16	7.283	4.567	4.173	0.197	4.094	5.433	12	M12 x 80	74	12819	36
HWK0902308		3 1/2										13052	
HWK0902310		3 5/8										13518	
HWK0902312		3 3/4										13984	
HWK0902314		3 7/8										14450	
HWK1002315	WK 100	3 15/16	7.756	4.960	4.488	0.236	4.488	5.866	15	M12 x 90	74	18354	43
HWK1002400		4										18645	
HWK1002404		4 1/4										19810	
HWK1202407	WK 120	4 7/16	9.055	5.984	5.433	0.276	5.276	7.087	12	M16 x 110	185	31802	65
HWK1202412		4 3/4										34041	
HWK1202415		4 15/16										35385	

If your application requires increased torque transmission and/or thrust, solvent clean the interface between the bore of the WK unit and the shaft to produce an oil free connection. This in turn will result in up to a 20% increase in  $M_t$  and  $T_H$  performance values. Contact Fenner Industrial Motion Technical Services for additional details at AE@fenner.com.

Please note not all catalog items shown are stock. Some products are make-to-order (MTO) based on annual demand. Please verify with your customer service representative for current availability of the item desired.



WK Couplings can be manufactured to accommodate different shaft diameters; this can also be accomplished using an adaptor sleeve.



WK Couplings are also available in all common metric shaft/bore diameters

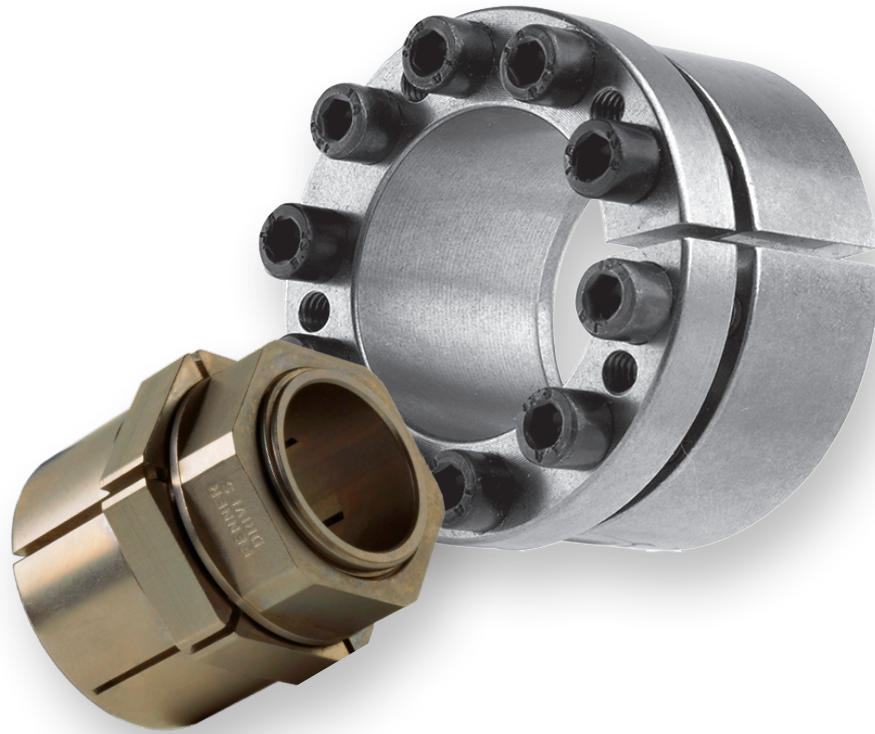


## WK Series

Part Number	Type	d (mm)	D (mm)	H (mm)	L (mm)	e (mm)	d <sub>1</sub> (mm)	A (mm)	Locking Screws		M <sub>a</sub>	M <sub>t</sub>	Ship wt (kg)
									Qty	Size	Install Torque (Nm)	Maximum Transmissible Torque (Nm)	
HWK0151015	WK15	15	52	34	30	2	21	35	3	M6 x 30	12	169	0.4
HWK0151016		16										180	0.4
HWK0151017		17										191	0.4
HWK0151018		18										202	0.4
HWK0151019		19										213	0.4
HWK0201020	WK20	20	60	40	34	3	26	41	5	M6 x 35	12	377	0.6
HWK0201022		22										414	0.6
HWK0201024		24										451	0.6
HWK0251025	WK25	25	66	44	38	3	32	48	7	M6 x 35	12	657	0.8
HWK0251028		28										735	0.8
HWK0251029		29										762	0.8
HWK0301030	WK30	30	76	48	42	3	38	54	8	M6 x 40	12	900	1.2
HWK0301032		32										959	1.2
HWK0301035		35										1053	1.2
HWK0401036	WK40	36	96	56	50	3	47	67	7	M8 x 45	30	1835	2.3
HWK0401040		40										2036	2.3
HWK0401044		44										2239	2.3
HWK0501050	WK50	50	112	68	60	4	58	80	10	M8 x 50	30	3638	3.6
HWK0501051		51										3709	3.6
HWK0501054		54										3927	3.6
HWK0601055	WK60	55	120	78	70	4	66	89	12	M8 x 55	30	4797	4.5
HWK0601060		60										5231	4.5
HWK0601063		63										5500	4.5
HWK0701065	WK70	65	148	88	80	4	79	106	12	M10 x 65	60	8993	8.6
HWK0701068		68										9406	8.6
HWK0701070		70										9681	8.2
HWK0701073		73										10095	8.2
HWK0801074	WK80	74	170	104	94	5	94	126	10	M12 x 80	100	12278	12.7
HWK0801076		76										12609	12.7
HWK0801080		80										13268	12.2
HWK0801085		85										14092	11.8
HWK0901086		WK90										86	185
HWK0901090	90		17918	16.3									
HWK0901092	92		18330	15.9									
HWK0901096	96		19101	15.4									
HWK1001100	WK100	100	197	126	114	6	114	149	15	M12 x 90	100	24888	19.5
HWK1001106		106										26378	19.5
HWK1001108		108										26862	19.1
HWK1001110		110										27359	19.1
HWK1201120	WK120	120	230	152	138	7	134	180	12	M16 x 110	251	45917	31.5
HWK1201130		130										49717	29.5

If your application requires increased torque transmission and/or thrust, solvent clean the interface between the bore of the WK unit and the shaft to produce an oil free connection. This in turn will result in up to a 20% increase in M<sub>t</sub> and T<sub>H</sub> performance values. Contact Fenner Industrial Motion Technical Services for additional details at AE@fenner.com.

Please note not all catalog items shown are stock. Some products are make-to-order (MTO) based on annual demand. Please verify with your customer service representative for current availability of the item desired.



At Fenner Precision Polymers, A Michelin Group Company, we are proud to keep your business in motion. As a supplier of critical components and engineered solutions for conveying, motion control and power transmission applications, our trusted brands are recognized globally for providing unique solutions that solve complex problems and build sustainable growth. We strive to partner closely with you so we can always provide expert-level support and powerful results that keep our world moving forward.



US and Canada 1-800-243-3374  
Latin America 1-717-665-2421  
Europe, Asia, Australia and Africa +44 0 870 757 7007

[www.fenner.com](http://www.fenner.com)

© 2025 Fenner Precision Polymers FPP\_CG\_IM\_APC-Metals\_25-08\_V2